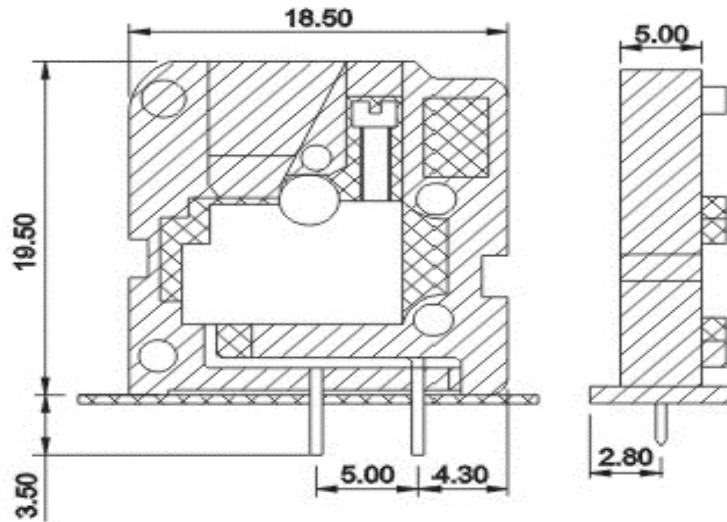


# EDCON-COMPONENTS



## Drawing



P.C.B. Layout

## Specification

### Electrical

Rated voltage	300V
Rated current	20A
Wire range	24-14AWG / 2.5mm <sup>2</sup>
Contact resistance	20mΩ
Insulation resistance	5000MΩ/DC1000V
Withstand voltage	AC2000V/1Min

### Mechanical

Ambient temperature	-40°C ~ +105°C
Screw, Torque	M2.5, 0.4Nm (3.6Lb-In.)
Strip Length	9 ~ 10mm

### Dimensions

Pitch	7.50mm
Poles	

### Material

Housing	PA66 (UL94V-0)
Pin header	Brass, Tin-plated
Screw	steel, Zinc-plated
Contact	Brass, Electroless nickel



Wire Protector Terminal Block /  
Pitch 7.50mm

Part No.: A12Q011

Customer:

DRW:	Bill	CHKD	Lord	MATL:	Jimmy	TOLERANCE	Sam	DATE	14.03.2009
APPD:	Louis			FINISH	Georg			Sheet No.	1 from 3

[www.edcon-components.com](http://www.edcon-components.com)

email: [info@edcon-components.com](mailto:info@edcon-components.com)

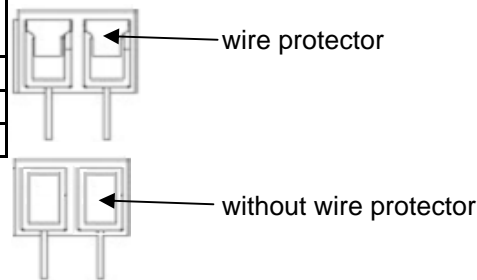
# EDCON-COMPONENTS



## Ordering Informations

Serie	-	No. of Pole	Body-Color	wire protector	Screw	-	Customer Request
A12Q011	-	XX	XX	X	X	-	X

XX = total	WH - white	1 - with wire protector	A - Slotted screw (standard)
	GN - green	2 - without wire protector	B - Cross-slotted screw
	GR - gray		
	BK - black		
	PG - Phoenix Green		
	OR - orange		
BL - blue			
LG - light gray			



Wire Protector Terminal Block /  
Pitch 7.50mm

Part No.: A12Q011

Customer:

DRW:	Bill	CHKD	Lord	MATL:	Jimmy	TOLERANCE	Sam	DATE	14.03.2009
APPD:	Louis			FINISH	Georg		Sheet No.		2 from 3

[www.edcon-components.com](http://www.edcon-components.com)

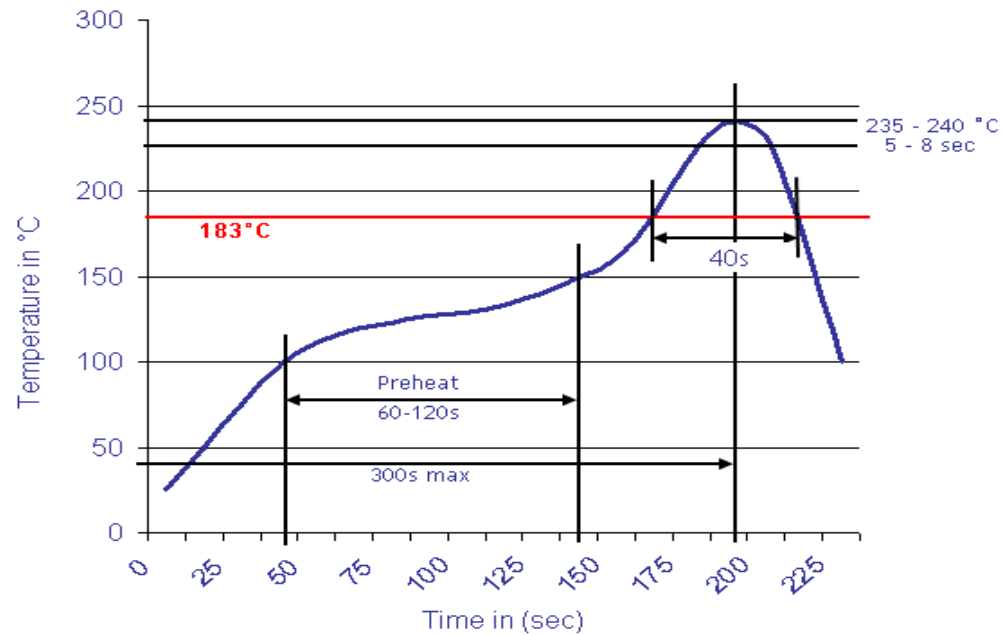
email: [info@edcon-components.com](mailto:info@edcon-components.com)

# EDCON-COMPONENTS



## Soldering - Profil

### Classification Reflow Profile (JEDEC J-STD-020C)



Wire Protector Terminal Block /  
Pitch 7.50mm

Part No.: A12Q011

Customer:

DRW:	Bill	CHKD	Lord	MATL:	Jimmy	TOLERANCE	Sam	DATE	14.03.2009
APPD:	Louis			FINISH	Georg		Sheet No.	3 from 3	

[www.edcon-components.com](http://www.edcon-components.com)

email: [info@edcon-components.com](mailto:info@edcon-components.com)