



Welcome to Chaoyue website

We always adhere to the principle "Honest to customers, guaranteed in quality, keep promises in contracts and delivery in time".

Products showroom

user name:

password:

Login

Reset

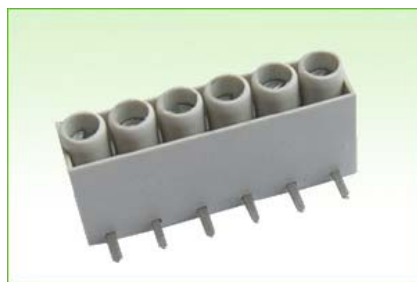
Products search:

search

Your position: Home>>Products show >>PCB UNIVERSAL SCREW TERMINAL BLOCKS

Products catalogue

- ▶ PLUGGABLE TERMINAL BLOCKS
- ▶ PCB UNIVERSAL SCREW TERMINAL BLOCKS
- ▶ PCB SPRING TERMINAL BLOCKS
- ▶ FEED THROUGH TERMINAL BLOCKS
- ▶ BARRIER TERMINAL BLOCKS
- ▶ DIP SWITCH-ZIP SOCKET
- ▶ SCREW MACHINE PIN IC SOCKET-PLCC SOCKET
- ▶ BOX HEADER WITH EJECTORS-IDC SOCKET-DIP PLUG
- ▶ PIN HEADER-FEMALE HEADER
- ▶ ATA66 ATA100 S-ATA CONNECTOR/ATA



DC167R-5.0

Material

Screw:M2.5,steel,Zinc-plated

Wire Guard:Phosphor bronze,Ni-plated

Pin Header:Brass,Tin-plated

Housing:PA66,UL94V-0

Electrical

Rated Voltage:300V

Rated Current:15A

Contact Resistance:20mΩ

Insulation Resistance:5000mΩ/DC1000V

Withstand Voltage:AC1500V/1Min

Wire Range:22-12AWG 2.5mm²

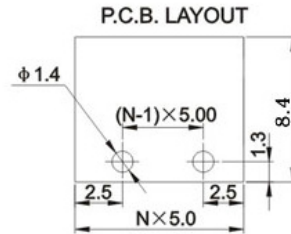
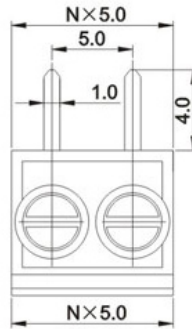
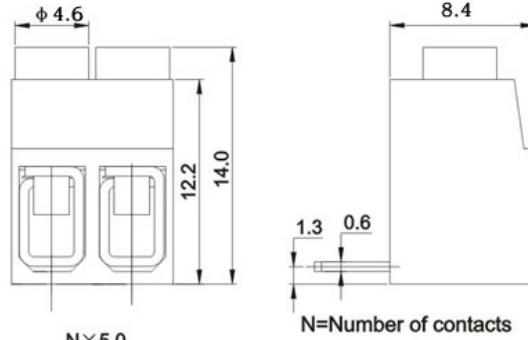
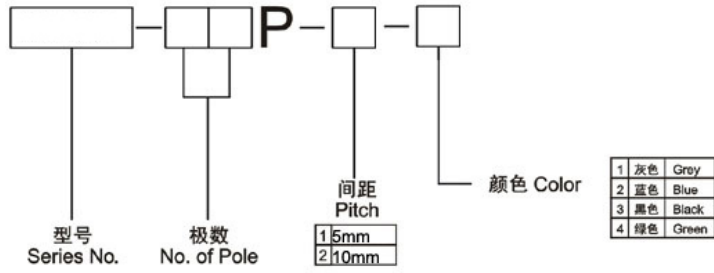
Mechanical

Temp.Range:-40°C-+105°C

Torque:0.4Nm(3.6lb.in)

Strip Length:6-7mm

订货方式 **HOW TO ORDER**



Pitch:5mm,10mm

Back Close

Home | About us | Products | Process flow | News | Buy online | Human resource | Feedback | Contact us

NINGBO CIXI CITY CHAOYUE ELECTRONICS CO.,LTD2006 all rights reserved

Add:NINGBO CIXI CITY CHAOYUE ELECTRONICS CO.,LTD Tel:86-574-63519768 Fax:86-574-63519218 E-mail:chaoyue@cn-terminalblock.com sales1@cn-terminalblock.cn