



NINGBO CIXI CITY CHAOYUE ELECTRONICS CO.,LTD.
http://www.cn-terminalblock.cn

中文版 English

Home

About us

Process flow

Products

News

Human resource

buy online

Feedback

Contact us



Welcome to Chaoyue website

We always adhere to the principle "Honest to customers, guaranteed in quality, keep promises in contracts and delivery in time".

Products showroom

user name:

password:

Login

Reset

Products search:

search

Your position: Home>>Products show >>PCB UNIVERSAL SCREW TERMINAL BLOCKS

Products catalogue

- ▶ PLUGGABLE TERMINAL BLOCKS
- ▶ PCB UNIVERSAL SCREW TERMINAL BLOCKS
- ▶ PCB SPRING TERMINAL BLOCKS
- ▶ FEED THROUGH TERMINAL BLOCKS
- ▶ BARRIER TERMINAL BLOCKS
- ▶ DIP SWITCH-ZIP SOCKET
- ▶ SCREW MACHINE PIN/IC SOCKET-PLCC SOCKET
- ▶ BOX HEADER WITH EJECTORS-IDC SOCKET-DIP PLUG
- ▶ PIN HEADER-FEMALE HEADER
- ▶ ATA66/ATA100/S-ATA CONNECTOR/ATA

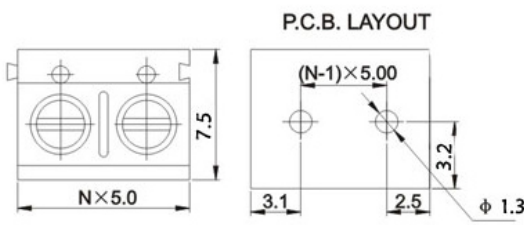
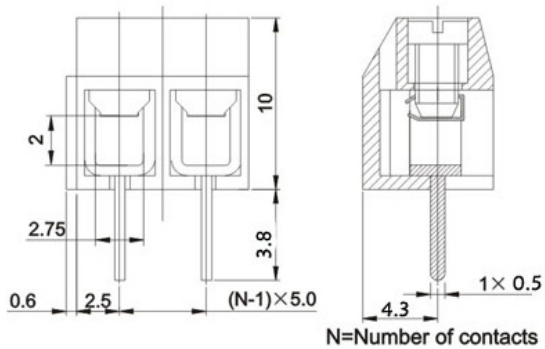
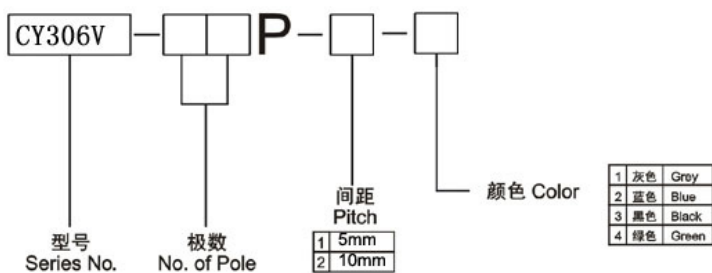


CY306V-5.0

Material

Screw: M3, steel, Zinc-plated
Wire Guard: stainless steel
Pin Header: Brass, Tin-plated
Housing: PBT, UL94V-0
Electrical
Rated Voltage: 300V
Rated Current: 10A
Contact Resistance: 20mΩ
Insulation Resistance: 5000mΩ/DC1000V
Withstand Voltage: AC2000V/1Min
Wire Range: 22-14AWG 2.5mm²
Mechanical
Temp. Range: -30°C - +120°C
Torque: 0.4Nm (3.6lb.in)
Strip Length: 4.5-5mm

订货方式 **HOW TO ORDER**



Pitch:5mm,10mm

Back Close

Home | About us | Products | Process flow | News | Buy online | Human resource | Feedback | Contact us

NINGBO CIXI CITY CHAOYUE ELECTRONICS CO.,LTD 2006 all rights reserved

Add: NINGBO CIXI CITY CHAOYUE ELECTRONICS CO.,LTD Tel:86-574-63519768 Fax:86-574-63519218 E-mail: chaoyue@cn-terminalblock.com sales1@cn-terminalblock.cn