



Welcome to Chaoyue website

## Products showroom

user name:

password:

Login

Reset

Products search:

search

Your position: Home>>Products show >>PCB UNIVERSAL SCREW TERMINAL BLOCKS

### Products catalogue

- ▶ PLUGGABLE TERMINAL BLOCKS
- ▶ PCB UNIVERSAL SCREW TERMINAL BLOCKS
- ▶ PCB SPRING TERMINAL BLOCKS
- ▶ FEED THROUGH TERMINAL BLOCKS
- ▶ BARRIER TERMINAL BLOCKS
- ▶ DIP SWITCH-ZIP SOCKET
- ▶ SCREW MACHINE PIN/IC SOCKET-PLCC SOCKET
- ▶ BOX HEADER WITH EJECTORS-IDC SOCKET-DIP PLUG
- ▶ PIN HEADER-FEMALE HEADER
- ▶ ATA66/ATA100/S-ATA CONNECTOR/ATA

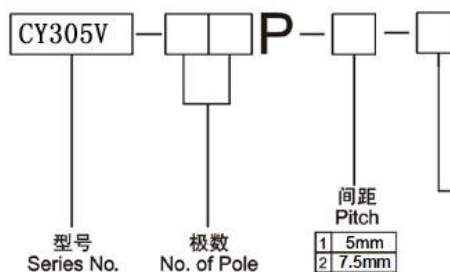


CY305V-5.0  
CY305V-7.5

#### Material

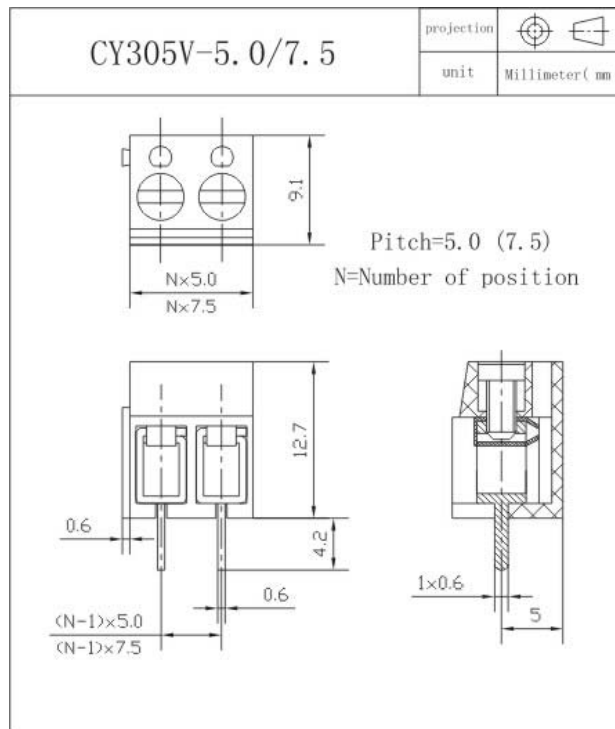
Screw:M2.5,steel,Zinc-plated  
Wire Guard:stainless steel  
Pin Header:Brass,Tin-plated  
Housing:PBT,UL94V-0  
Electrical  
Rated Voltage:300V  
Rated Current:16A  
Contact Resistance:20mΩ,  
Insulation Resistance:5000mΩ/DC1000V  
Withstand Voltage:AC1500V/1Min  
Wire Range:22-14AWG 1.5mm2  
Mechanical  
Temp.Range:-30℃-+120℃  
Torque:0.4Nm(3.6lb.in)  
Strip Length:4.5-5mm

### 订货方式 HOW TO ORDER



颜色 Color

1	灰色	Grey
2	蓝色	Blue
3	黑色	Black
4	绿色	Green



Back Close

Home | About us | Products | Process flow | News | Buy online | Human resource | Feedback | Contact us

NINGBO CIXI CITY CHAOYUE ELECTRONICS CO.,LTD2006 all rights reserved

Add:NINGBO CIXI CITY CHAOYUE ELECTRONICS CO.,LTD Tel:86-574-63519768 Fax:86-574-63519218 E-mail:[chaoyue@cn-terminalblock.com](mailto:chaoyue@cn-terminalblock.com) [sales1@cn-terminalblock.cn](mailto:sales1@cn-terminalblock.cn)