



Welcome to Chaoyue website

We always adhere to the principle "Honest to customers, guaranteed in quality, keep promises in contracts and delivery in time".

Products showroom

user name:

password:

Login

Reset

Products search:

search

Your position: Home>>Products show >>PCB UNIVERSAL SCREW TERMINAL BLOCKS

Products catalogue

- ▶ PLUGGABLE TERMINAL BLOCKS
- ▶ PCB UNIVERSAL SCREW TERMINAL BLOCKS
- ▶ PCB SPRING TERMINAL BLOCKS
- ▶ FEED THROUGH TERMINAL BLOCKS
- ▶ BARRIER TERMINAL BLOCKS
- ▶ DIP SWITCH-ZIP SOCKET
- ▶ SCREW MACHINE PIN/IC SOCKET-PLCC SOCKET
- ▶ BOX HEADER WITH EJECTORS-IDC SOCKET-DIP PLUG
- ▶ PIN HEADER-FEMALE HEADER
- ▶ ATA66/ATA100/S-ATA CONNECTOR/ATA

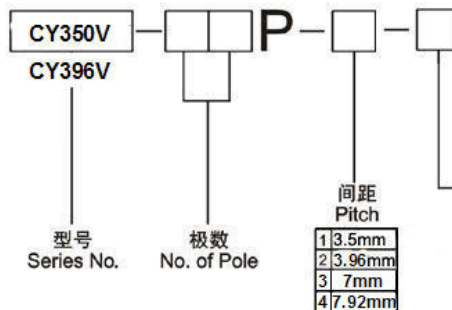


CY350V-3.5
CY396V-3.96

Material

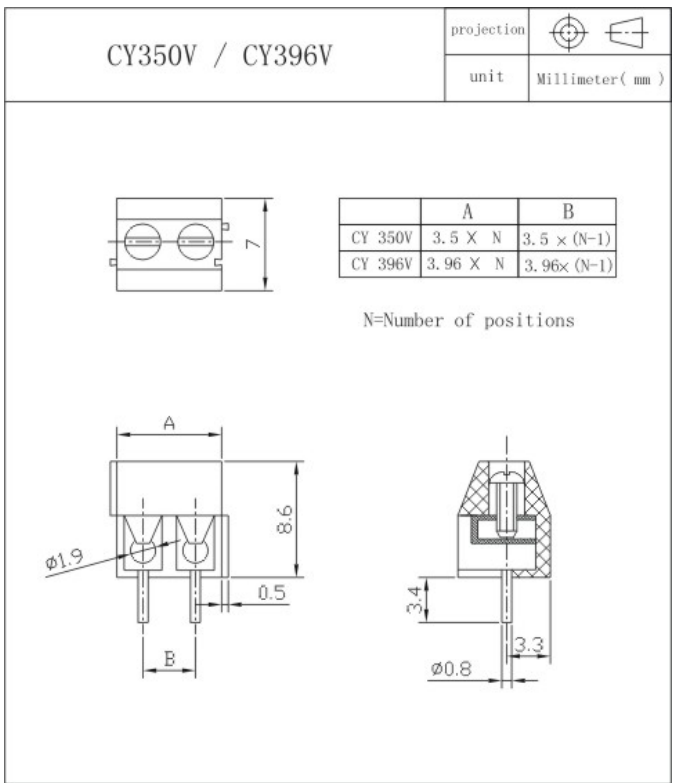
Screw: M2, steel, Zinc-plated
Wire Guard: Phosphor bronze, Ni-plated
Pin Header: Brass, Tin-plated
Housing: PA66, UL94V-0
Electrical
Rated Voltage: 300V
Rated Current: 7A
Contact Resistance: 20mΩ
Insulation Resistance: 5000mΩ/DC1000V
Withstand Voltage: AC2000V/1Min
Wire Range: 24-18AWG 1.0mm²
Mechanical
Temp. Range: -40°C - +105°C
Torque: 0.2Nm (1.7lb.in)
Strip Length: 4.5-5mm

订货方式 HOW TO ORDER



颜色 Color

1	灰色	Grey
2	蓝色	Blue
3	黑色	Black
4	绿色	Green



Back Close

Home | About us | Products | Process flow | News | Buy online | Human resource | Feedback | Contact us

NINGBO CIXICITY CHAOYUE ELECTRONICS CO.,LTD2006 all rights reserved

Add:NINGBO CIXICITY CHAOYUE ELECTRONICS CO.,LTD Tel:86-574-63519768 Fax:86-574-63519218 E-mail:chaoyue@cn-terminalblock.com sales1@cn-terminalblock.cn