



Products showroom

user name:

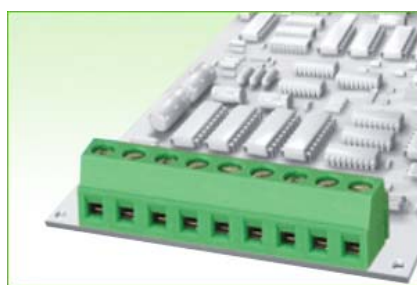
password:

Products search:

Your position: Home>>Products show >>PCB UNIVERSAL SCREW TERMINAL BLOCKS

Products catalogue

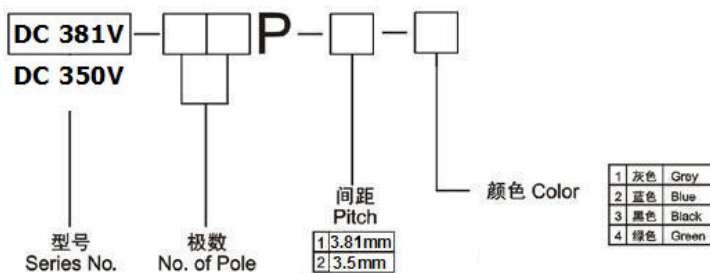
- ▶ PLUGGABLE TERMINAL BLOCKS
- ▶ PCB UNIVERSAL SCREW TERMINAL BLOCKS
- ▶ PCB SPRING TERMINAL BLOCKS
- ▶ FEED THROUGH TERMINAL BLOCKS
- ▶ BARRIER TERMINAL BLOCKS
- ▶ DIP SWITCH-ZIP SOCKET
- ▶ SCREW MACHINE PIN/IC SOCKET-PLCC SOCKET
- ▶ BOX HEADER WITH EJECTORS-IDC SOCKET-DIP PLUG
- ▶ PIN HEADER-FEMALE HEADER
- ▶ ATA66/ATA100/S-ATA CONNECTOR/ATA

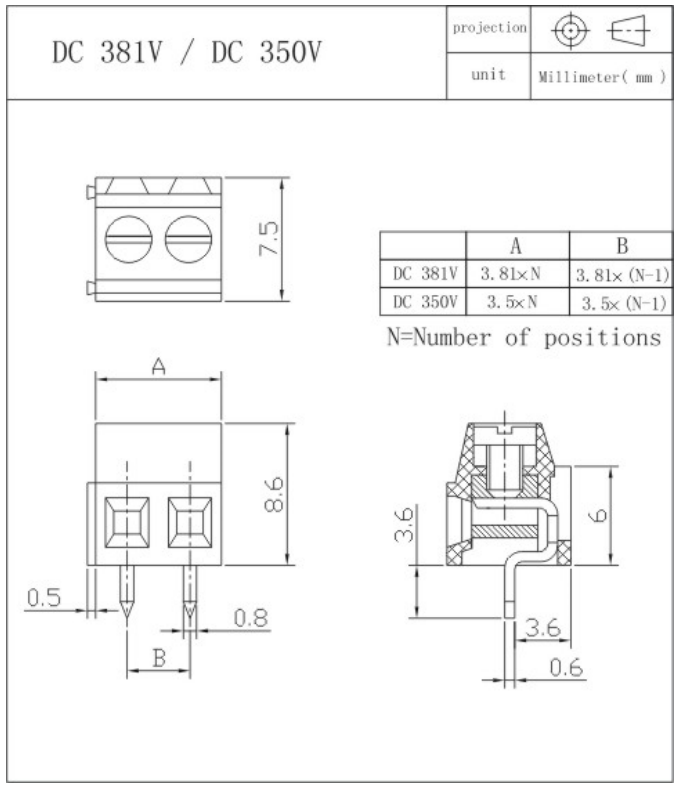


DC350V-3.5
DC381V-3.81

Electrical	
Rated Voltage/Rated Current	300V/10A
Wire Range	26-16 AWG, 1.5 mm ²
Withstand Voltage	AC2000V/1Min
Insulation Resistance	5000MΩ/DC1000V
Contact Resistance	20 mΩ
Temp. Range	-40°C~+105°C
Torque	0.2Nm (1.7Lb.in)
Length	5-6 mm
Mechanical	
Housing	PA66, UL94V-0
Screw	M2,Steel,Zinc-plated
Cage	Brass,Electroless nickel
Pin Header	Brass,Tin-plated

订货方式 HOW TO ORDER





Back Close

Home | About us | Products | Process flow | News | Buy online | Human resource | Feedback | Contact us

NINGBO CIXI CITY CHAOYUE ELECTRONICS CO.,LTD 2006 all rights reserved

Add: NINGBO CIXI CITY CHAOYUE ELECTRONICS CO.,LTD Tel: 86-574-63519768 Fax: 86-574-63519218 E-mail: chaoyue@cn-terminalblock.com sales1@cn-terminalblock.cn