



DATA SHEET

Frontpanel Tact Switch 19x19mm

Serie: Q11062

Frontpanel Tact Switch 19x19mm	
Serie No.:	Q11062
Customer:	

DRW:	Jason	CHKD	Wilson	MATL:	Wilson	TOLERANCE	Mason	DATE	19.11.2014
APPD:	Schumi			FINISH	Jamy		Sheet No.		1 from 8

EDCON-COMPONENTS



Technical Informations

Electrical Specification

Contact Rating: 100mA max. 42VAC/DC
 Contact Resistance: 100mΩ max. (initial)
 Insulation Resistance: 1000MΩ min.
 Dielectric Strength: 2000VAC

Mechanical Specification

Electrical Life: 2.000.000cycles
 Operating Force: 3N ± 0,75N max.

Materials

Switch Housing: PBT (UL94 V-0)
 Transparent Actuator: PC (UL94V- 0)
 Actuator: ABS
 Contact: Stainless As version tin plated
 Terminals: Copper Alloy, Au tin-plated
 Terminals Seal: Epoxy

**Frontpanel Tact Switch
19x19mm**

Part No.: **Q11062**

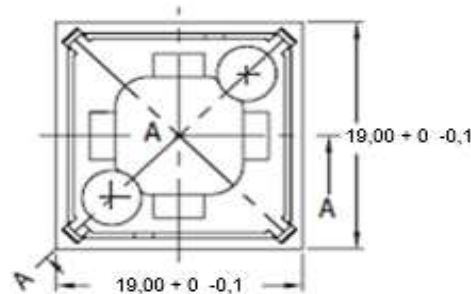
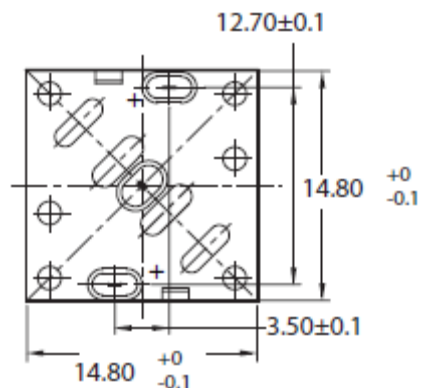
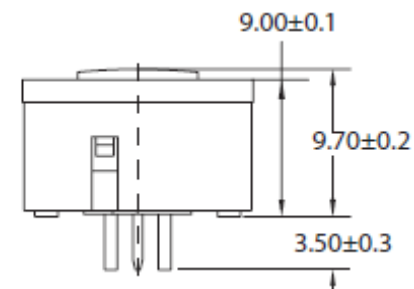
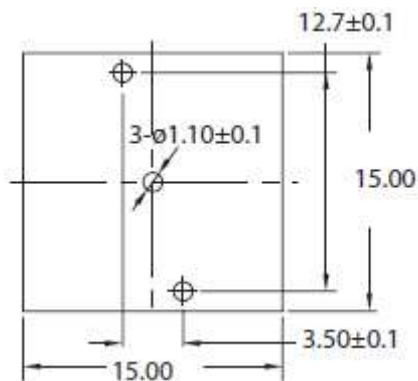
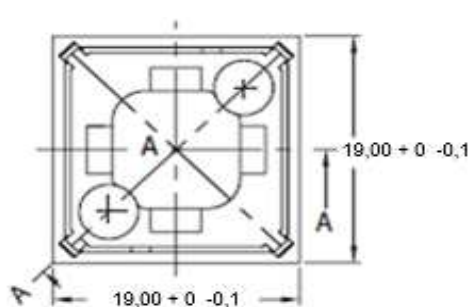
DRW:	Jason	CHKD	Wilson	MATL:	Wilson	TOLERANCE	Mason	DATE	19.11.2014
APPD:	Schumi			FINISH	Jamy		Sheet No.	2 from 8	

Customer:

EDCON-COMPONENTS



LED-STYLE Type 00 (without LED)



Frontpanel Tact Switch	
19x19mm	
Part No.:	Q11062
Customer:	

DRW:	Jason	CHKD	Wilson	MATL:	Wilson	TOLERANCE	Mason	DATE	19.11.2014
APPD:	Schumi			FINISH	Jamy		Sheet No.	3 from 8	

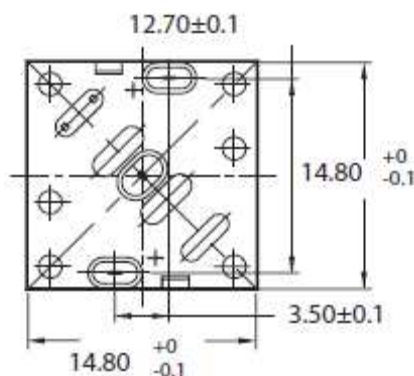
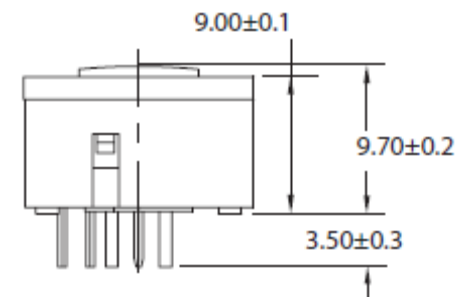
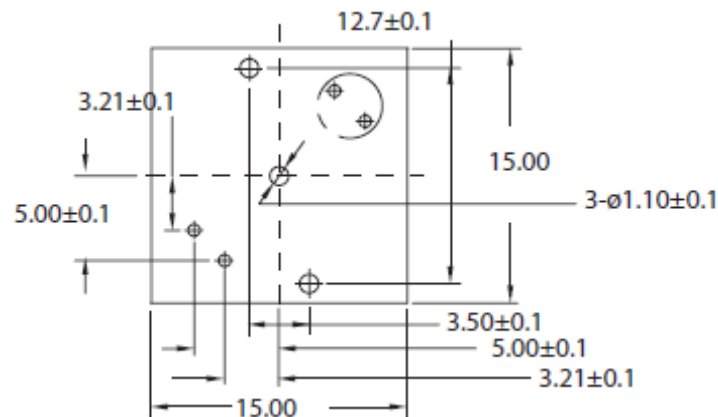
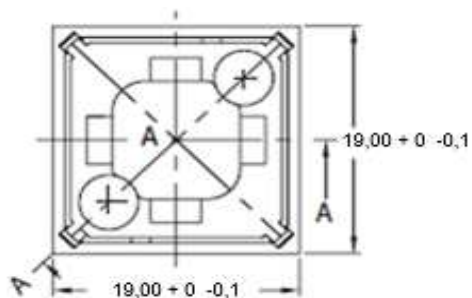
www.edcon-components.com

email: info@edcon-components.com

EDCON-COMPONENTS



LED-STYLE Type 10 (1 LED)



Frontpanel Tact Switch 19x19mm	
Part No.:	Q11062
Customer:	

DRW:	Jason	CHKD	Wilson	MATL:	Wilson	TOLERANCE	Mason	DATE	19.11.2014
APPD:	Schumi			FINISH	Jamy		Sheet No.	4 from 8	

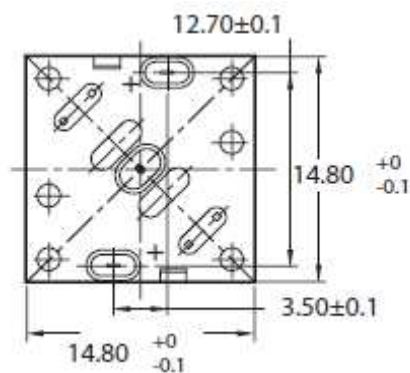
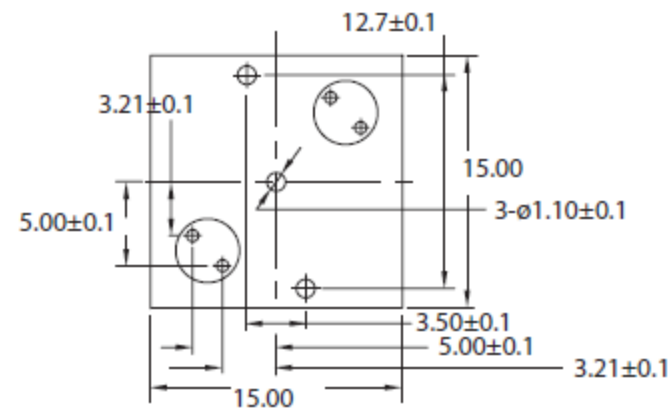
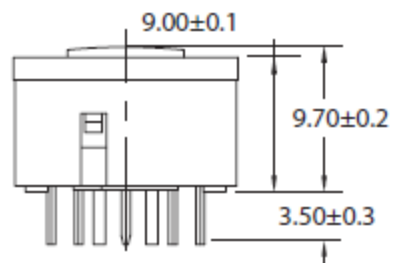
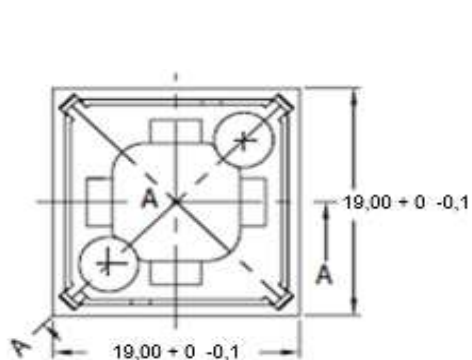
www.edcon-components.com

email: info@edcon-components.com

EDCON-COMPONENTS



LED-STYLE Type 21 (2 LED width)



Frontpanel Tact Switch	
19x19mm	
Part No.:	Q11062
Customer:	

DRW:	Jason	CHKD	Wilson	MATL:	Wilson	TOLERANCE	Mason	DATE	19.11.2014
APPD:	Schumi			FINISH	Jamy		Sheet No.	5 from 8	

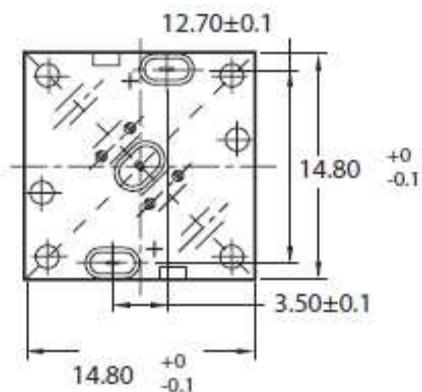
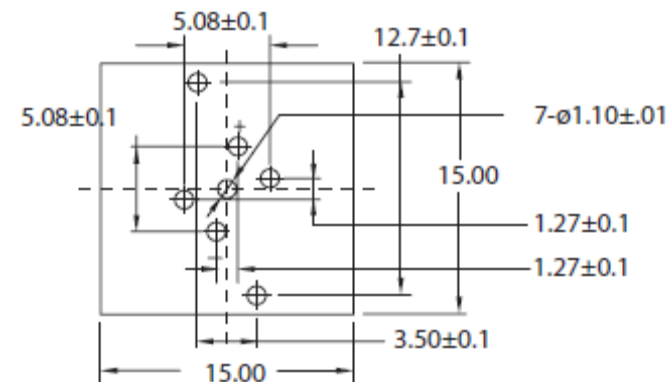
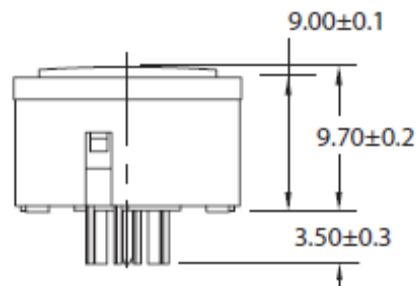
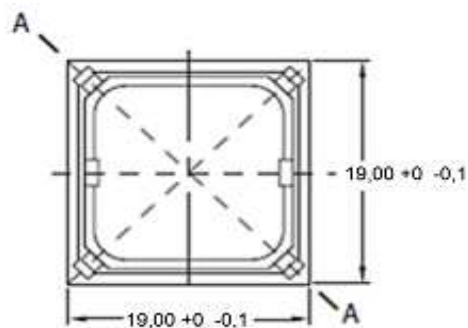
www.edcon-components.com

email: info@edcon-components.com

EDCON-COMPONENTS



LED-STYLE Type 22 (2 LED near)



Frontpanel Tact Switch 19x19mm	
Part No.:	Q11062
Customer:	

DRW:	Jason	CHKD	Wilson	MATL:	Wilson	TOLERANCE	Mason	DATE	19.11.2014
APPD:	Schumi			FINISH	Jamy		Sheet No.	6 from 8	

www.edcon-components.com

email: info@edcon-components.com

EDCON-COMPONENTS



Ordering Informations

Serie	Actuator color	LED Style	LED Color One Led	LED Color Two Leds	Body Material	Contact Plating	ROHS	Packing Code	
-------	----------------	-----------	-------------------	--------------------	---------------	-----------------	------	--------------	--

Q11062	-	CL	00	0	0	NO	AU	R	TU
---------------	---	-----------	-----------	----------	----------	-----------	-----------	----------	-----------

CL= Transparent	00= without LED	0= without LED	0= without LED	NO= Standard	AU= Au over tin-plated	R= ROHS Conform	TU= Tube Packing
10= Red	10= with One LED	1= Color RED	1= Color RED	HT= High Temperature	QS= Silver plated	N= NON ROHS Conform	
20= Yellow	21= with Two LED Width	2= Color YELLOW	2= Color YELLOW				
30= green	22= with Two LED Near	3= Color GREEN	3= Color GREEN				
		4= Color BLUE	4= Color BLUE				
		5= Color WHITE	5= Color WHITE				

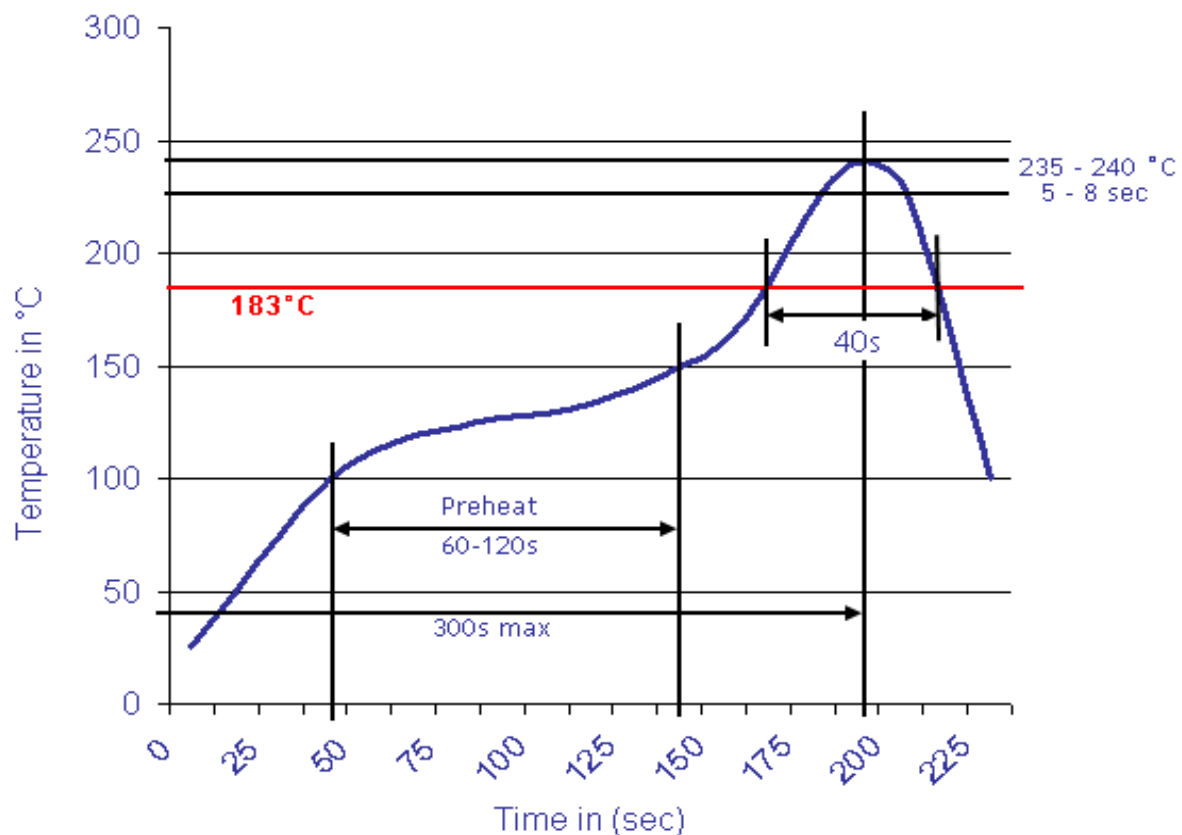
Frontpanel Tact Switch 19x19mm
Part No.: Q11062
Customer:

DRW:	Jason	CHKD	Wilson	MATL:	Wilson	TOLERANCE	Mason	DATE	19.11.2014
APPD:	Schumi			FINISH	Jamy		Sheet No.		7 from 8



Soldering Profile Curve

Classification Reflow Profile (JEDEC J-STD-020C)



Frontpanel Tact Switch	
19x19mm	
Part No.:	Q11062
Customer:	

DRW:	Jason	CHKD	Wilson	MATL:	Wilson	TOLERANCE	Mason	DATE	19.11.2014
APPD:	Schumi			FINISH	Jamy		Sheet No.	8 from 8	