



# DATA SHEET

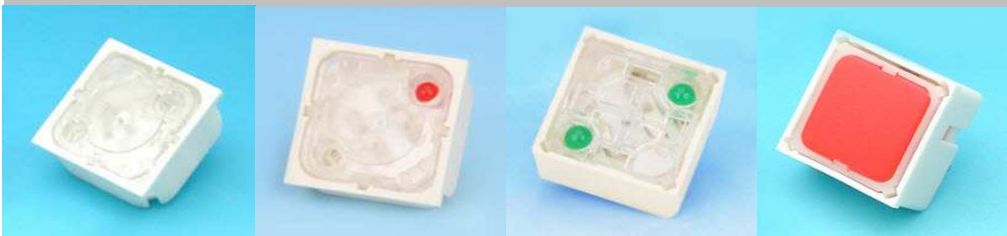
## Frontpanel Tact Switch 15x15mm

**Serie: Q11061**

<b>Frontpanel Tact Switch 15x15mm</b>	
Serie No.:	<b>Q11061</b>
Customer:	

DRW:	Jason	CHKD	Wilson	MATL:	Wilson	TOLERANCE	Mason	DATE	19.11.2014
APPD:	Schumi			FINISH	Jamy		Sheet No.		1 from 8

# EDCON-COMPONENTS



## Technical Informations

### Electrical Specification

Contact Rating: 100mA max. 42VAC/DC  
 Contact Resistance: 100mΩ max. (initial)  
 Insulation Resistance: 1000MΩ min.  
 Dielectric Strength: 2000VAC

### Mechanical Specification

Electrical Life: 2.000.000cycles  
 Operating Force: 3N ± 0,75N max.

### Materials

Switch Housing: PBT ( UL94 V-0)  
 Transparent Actuator: PC (UL94V- 0)  
 Actuator: ABS  
 Contact: Stainless As version tin plated  
 Terminals: Copper Alloy, Au tin-plated  
 Terminals Seal: Epoxy

**Frontpanel Tact Switch  
15x15mm**

Part No.: **Q11061**

DRW:	Jason	CHKD	Wilson	MATL:	Wilson	TOLERANCE	Mason	DATE	19.11.2014
APPD:	Schumi			FINISH	Jamy		Sheet No.	2 from 8	

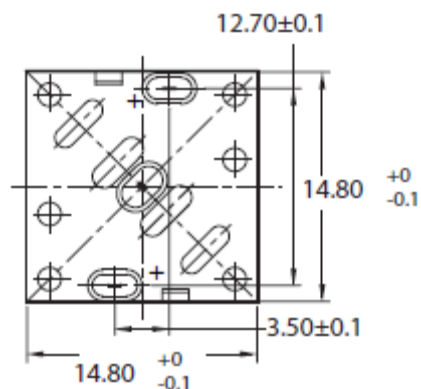
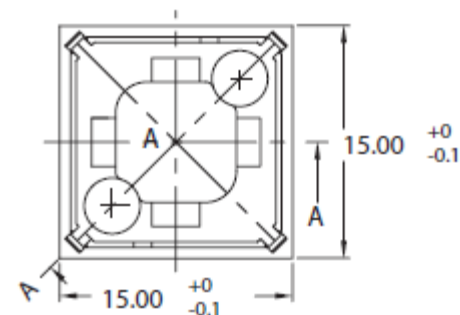
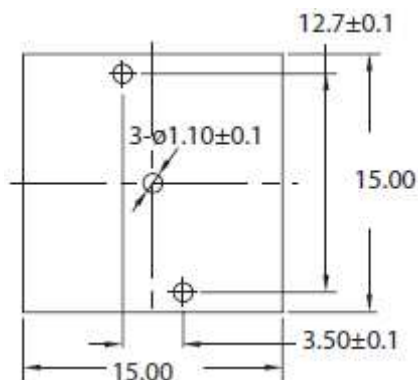
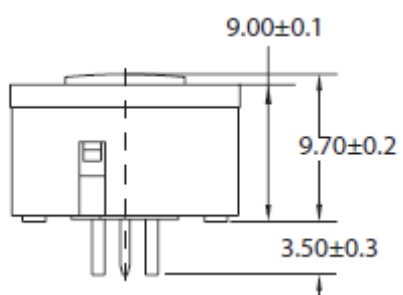
Customer:

email: [info@edcon-components.com](mailto:info@edcon-components.com)

# EDCON-COMPONENTS



LED-STYLE Type 00 (without LED)



<b>Frontpanel Tact Switch 15x15mm</b>	
Part No.:	<b>Q11061</b>
Customer:	

DRW:	Jason	CHKD	Wilson	MATL:	Wilson	TOLERANCE	Mason	DATE	19.11.2014
APPD:	Schumi			FINISH	Jamy		Sheet No.	3 from 8	

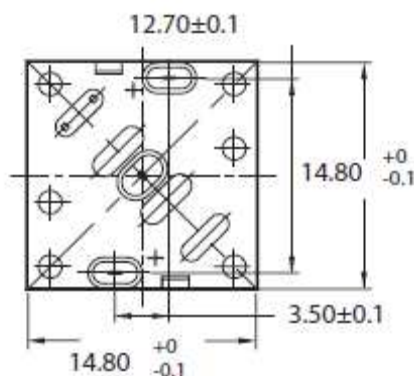
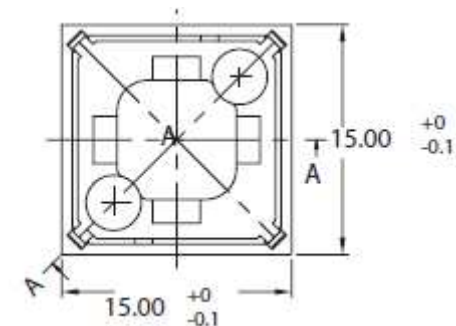
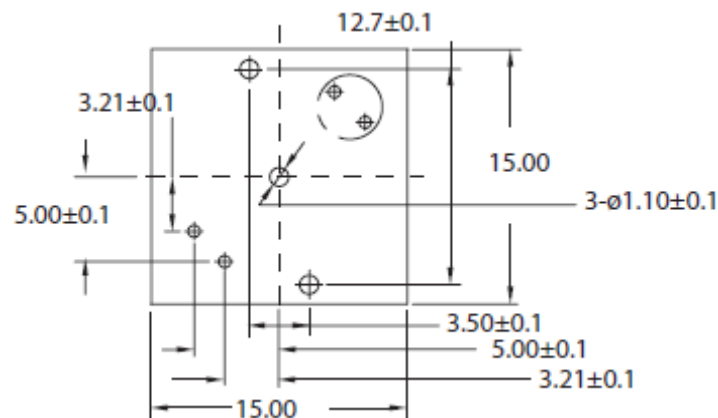
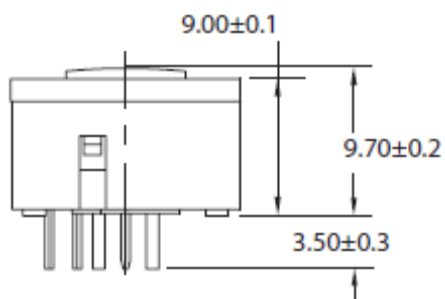
[www.edcon-components.com](http://www.edcon-components.com)

email: [info@edcon-components.com](mailto:info@edcon-components.com)

# EDCON-COMPONENTS



LED-STYLE Type 10 ( 1 LED )



<b>Frontpanel Tact Switch</b>	
<b>15x15mm</b>	
Part No.:	<b>Q11061</b>
Customer:	

DRW:	Jason	CHKD	Wilson	MATL:	Wilson	TOLERANCE	Mason	DATE	19.11.2014
APPD:	Schumi			FINISH	Jamy		Sheet No.		4 from 8

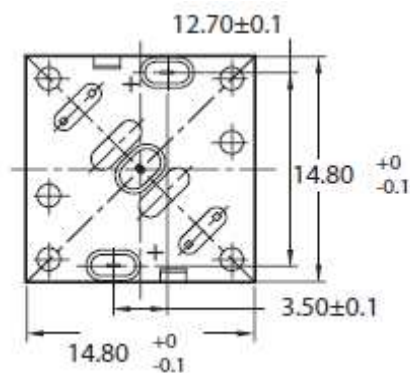
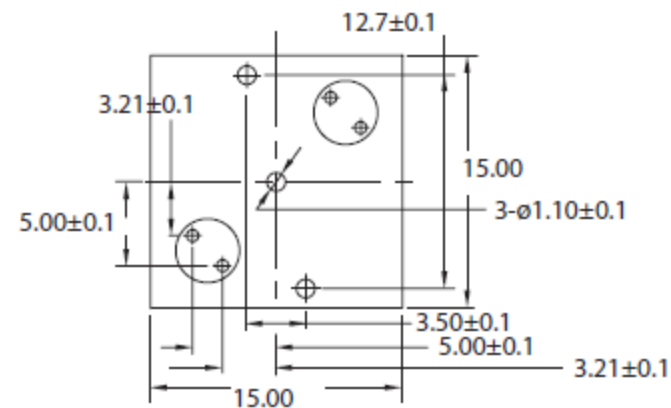
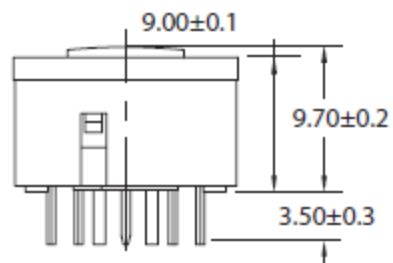
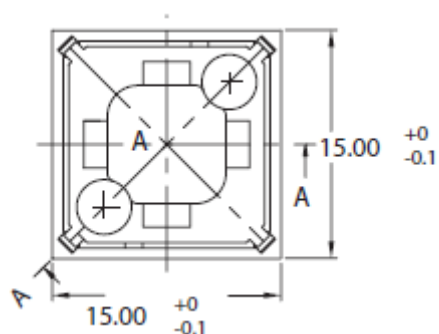
[www.edcon-components.com](http://www.edcon-components.com)

email: [info@edcon-components.com](mailto:info@edcon-components.com)

# EDCON-COMPONENTS



LED-STYLE Type 21 (2 LED width)



<b>Frontpanel Tact Switch 15x15mm</b>	
Part No.:	<b>Q11061</b>
Customer:	

DRW:	Jason	CHKD	Wilson	MATL:	Wilson	TOLERANCE	Mason	DATE	19.11.2014
APPD:	Schumi			FINISH	Jamy		Sheet No.		5 from 8

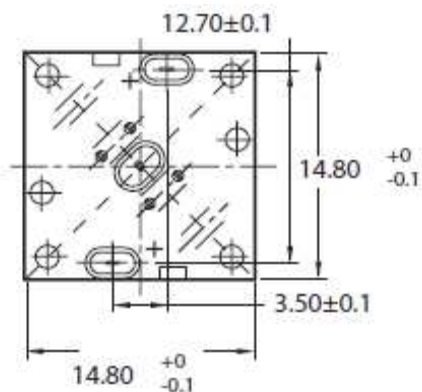
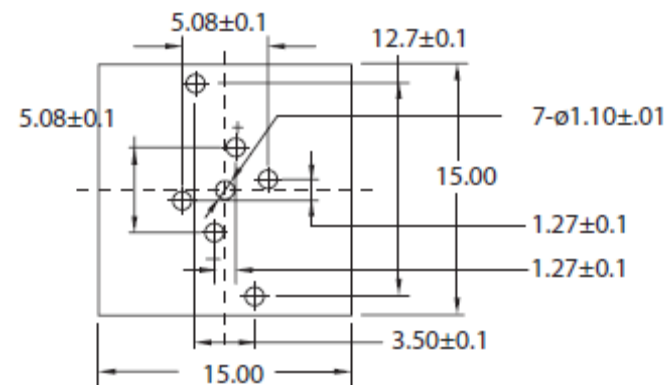
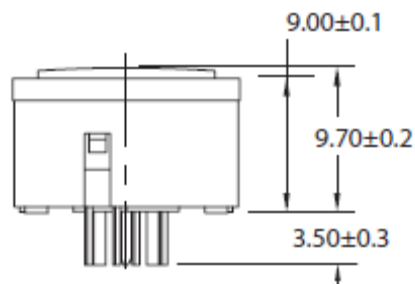
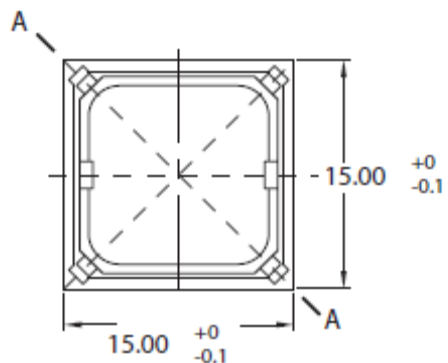
[www.edcon-components.com](http://www.edcon-components.com)

email: [info@edcon-components.com](mailto:info@edcon-components.com)

# EDCON-COMPONENTS



LED-STYLE Type 22 (2 LED near)



<b>Frontpanel Tact Switch 15x15mm</b>	
Part No.:	<b>Q11061</b>
Customer:	

DRW:	Jason	CHKD	Wilson	MATL:	Wilson	TOLERANCE	Mason	DATE	19.11.2014
APPD:	Schumi			FINISH	Jamy		Sheet No.	6 from 8	

[www.edcon-components.com](http://www.edcon-components.com)

email: [info@edcon-components.com](mailto:info@edcon-components.com)



# EDCON-COMPONENTS



## Ordering Informations

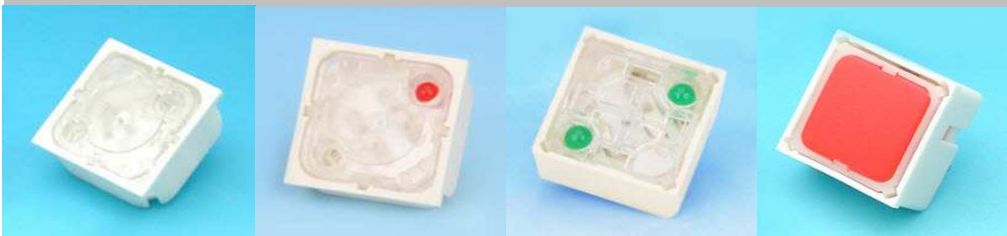
Serie	Actuator color	LED Style	LED Color One Led	LED Color Two Leds	Body Material	Contact Material	ROHS	Packing Code	
-------	----------------	-----------	-------------------	--------------------	---------------	------------------	------	--------------	--

<b>Q11061</b>	-	<b>CL</b>	<b>00</b>	<b>0</b>	<b>0</b>	<b>NO</b>	<b>AU</b>	<b>R</b>	<b>TU</b>
---------------	---	-----------	-----------	----------	----------	-----------	-----------	----------	-----------

<b>CL=</b> Transparent	<b>00=</b> without LED	<b>0=</b> without LED	<b>0=</b> without LED	<b>NO=</b> Standard	<b>AU=</b> AU over tin-plated <b>QS=</b> Silver plated	<b>R=</b> ROHS Conform	<b>TU=</b> Tube Packing
<b>10=</b> Red	<b>10=</b> with One LED	<b>1=</b> Color RED	<b>1=</b> Color RED	<b>HT=</b> High Temperature		<b>N=</b> NON ROHS Conform	
<b>20=</b> Yellow	<b>21=</b> with Two LED Width <b>22=</b> with Two LED Near	<b>2=</b> Color YELLOW	<b>2=</b> Color YELLOW				
<b>30=</b> green		<b>3=</b> Color GREEN	<b>3=</b> Color GREEN				
		<b>4=</b> Color BLUE	<b>4=</b> Color BLUE				
		<b>5=</b> Color WHITE	<b>5=</b> Color WHITE				

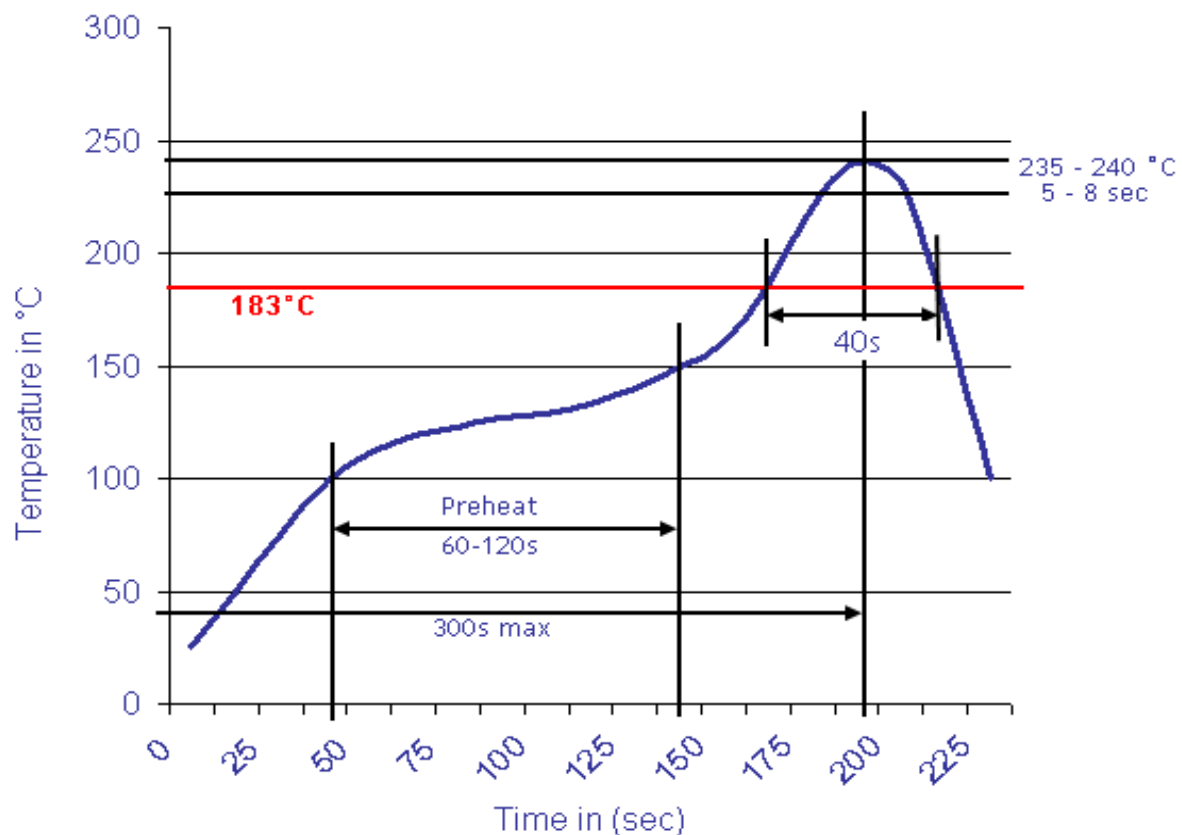
<b>Frontpanel Tact Switch 15x15mm</b>
Part No.: <b>Q11061</b>
Customer:

DRW:	Jason	CHKD	Wilson	MATL:	Wilson	TOLERANCE	Mason	DATE	19.11.2014
APPD:	Schumi			FINISH	Jamy		Sheet No.		7 from 8



Soldering Profile Curve

Classification Reflow Profile (JEDEC J-STD-020C)



<b>Frontpanel Tact Switch</b>	
<b>15x15mm</b>	
Part No.:	<b>Q11061</b>
Customer:	

DRW:	Jason	CHKD	Wilson	MATL:	Wilson	TOLERANCE	Mason	DATE	19.11.2014
APPD:	Schumi			FINISH	Jamy		Sheet No.	8 from 8	