



Technical Specification

Contact Resistance:	30m Ohm max.
Insulator Resistance:	5000 M Ohm max.
Temperature Rating:	.-55°C ~ +105°C
Contact Material:	Phosphor Bronze
Contact:	Nickel Plated
Durability:	50 Cycles min.
Application for:	Coin Type
Battery Dimension:	D= 24,0mm / T=3,0mm

Ordering Information

Serie	Contact Material	Contact Plating	ROHS	Packing		
-------	------------------	-----------------	------	---------	--	--

B23024	PB	NI	R	TY		
---------------	-----------	-----------	----------	-----------	--	--

PB= Phosphor Bronze	NI= Nickel plated	N= Non ROHS	TY= Tray
		R= ROHS Conform	TR= Tape Reel

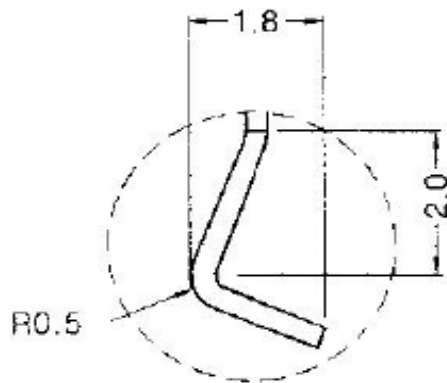
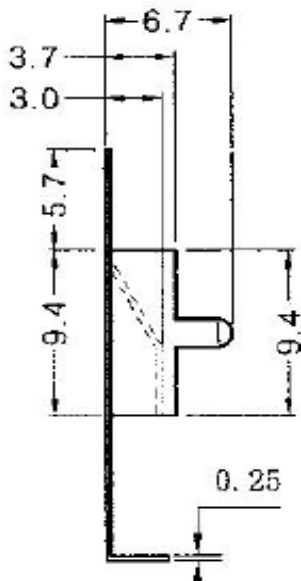
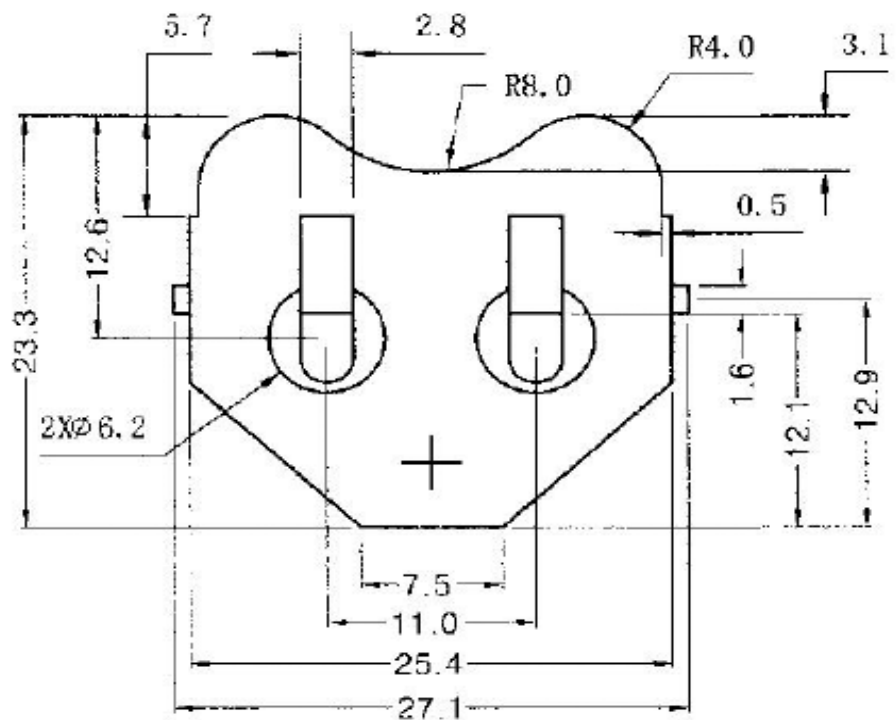
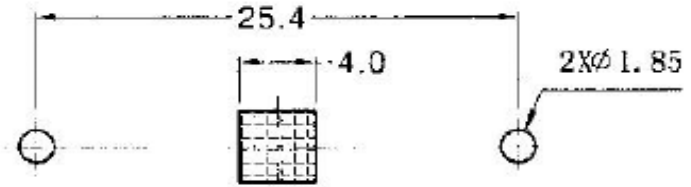
Battery Coin Cell Holder	
Part No.:	B23024
Customer:	

DRW:	Jason	CHKD	Jules	MATL:	Wu	DATE	12.03.2011
APPD:	Join			FINISH	Shieh	Sheet	1 from 3



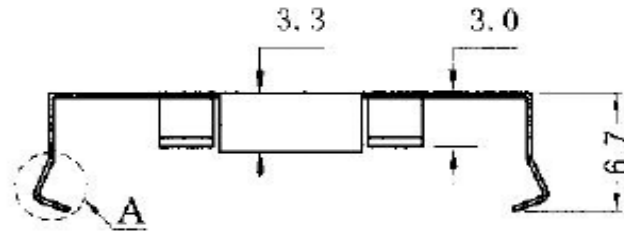
Technical Dimensions

PCB Layout



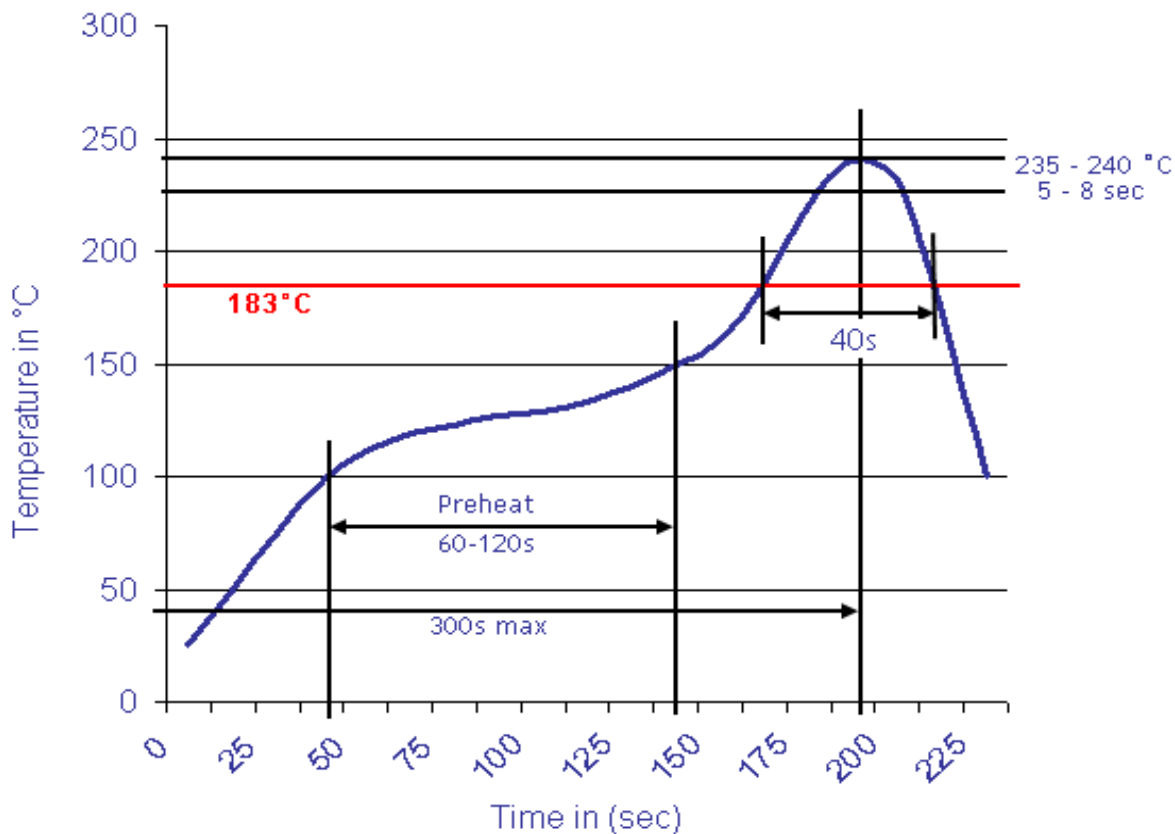
Battery Coin Cell Holder	
Part No.:	B23024
Customer:	

DRW:	Jason	CHKD	Jules	MATL:	Wu	DATE	12.03.2011
APPD:	Join			FINISH	Shieh	Sheet	2 from 3



Soldering Profile Curve

Classification Reflow Profile (JEDEC J-STD-020C)



Battery Coin Cell Holder

Part No.: **B23024**

Customer:

DRW:	Jason	CHKD	Jules	MATL:	Wu	DATE	12.03.2011
APPD:	Join			FINISH	Shieh	Sheet	3 from 3