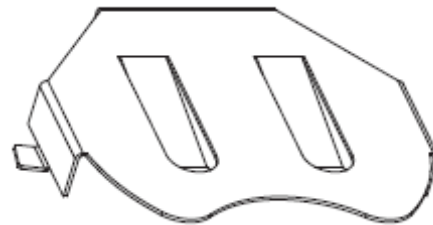




**Technical Specification**

Contact Resistance: 30m Ohm max.  
 Insulator Resistance: 5000 M Ohm max.  
 Temperature Rating: -55°C ~ +105°C  
 Contact Material: Steel  
 Contact: Nickel Plated  
 Durability: 50 Cycles min.  
 Application for: Coin Type  
 Battery Dimension: D= 24,0mm / T=3,0mm



**Ordering Information**

Serie	Contact Material	Contact Plating	ROHS	Packing		
-------	------------------	-----------------	------	---------	--	--

<b>B23023</b>	<b>ST</b>	<b>NI</b>	<b>R</b>	<b>TY</b>		
---------------	-----------	-----------	----------	-----------	--	--

	<b>NI= Nickel plated</b>	<b>N= Non ROHS</b>	<b>TY=Tray</b>
		<b>R= ROHS Conform</b>	<b>TR=Tape Reel</b>
<b>ST= Steel</b>			

**Battery Coin Cell Holder**

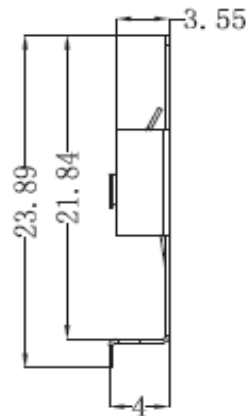
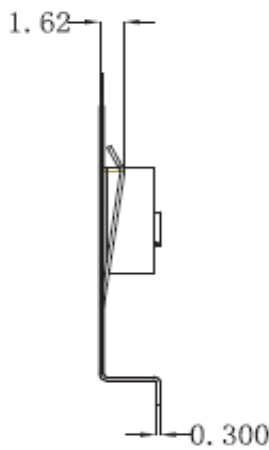
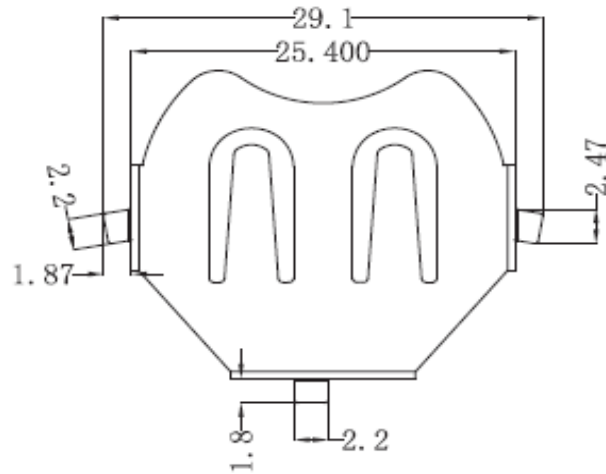
Part No.: **B23023**

Customer:

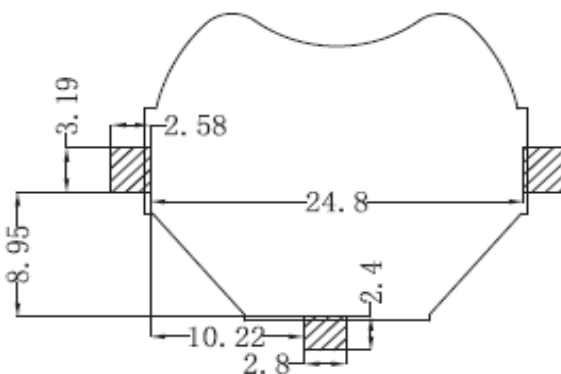
DRW:	Jason	CHKD	Jules	MATL:	Wu	DATE	01.11.2018
APPD:	Join			FINISH	Shieh	Sheet	1 from 3



**Technical Dimensions**



**PCB Layout (mm)**



**Battery Coin Cell Holder**

Part No.: **B23023**

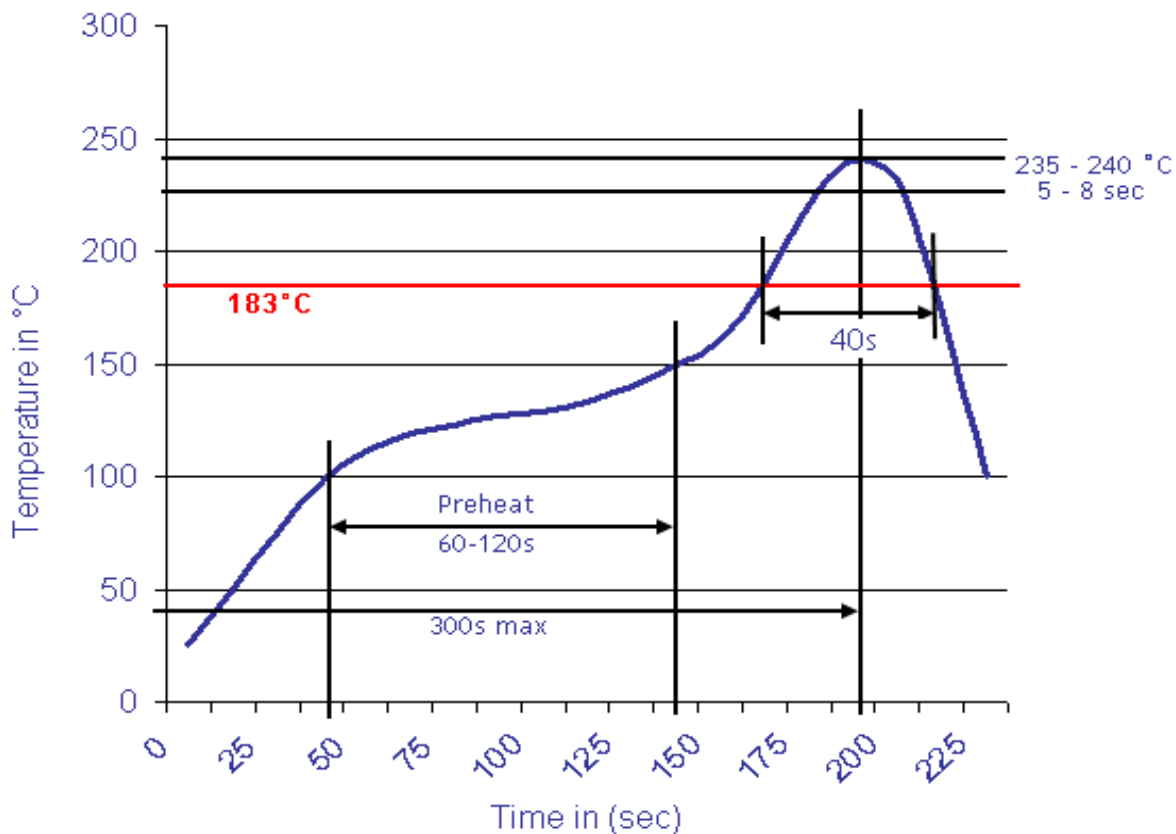
Customer:

DRW:	Jason	CHKD	Jules	MATL:	Wu	DATE	01.11.2018
APPD:	Join			FINISH	Shieh	Sheet	2 from 3



**Soldering Profile Curve**

**Classification Reflow Profile (JEDEC J-STD-020C)**



<b>Battery Coin Cell Holder</b>	
Part No.:	<b>B23023</b>
Customer:	

DRW:	Jason	CHKD	Jules	MATL:	Wu	DATE	01.11.2018
APPD:	Join			FINISH	Shieh	Sheet	3 from 3