

Technical Specification

Contact Resistance:	30m Ohm max.
Insulator Resistance:	5000 M Ohm max.
Temperature Rating:	.-55°C ~ +105°C
Contact Material:	Phosphor Bronze
Contact:	Nickel Plated
Durability:	50 Cycles min.
Application for:	Coin Type
Battery Dimension:	D= 20,0mm / T=3,2mm

Ordering Information

Serie	Contact Material	Contact Plating	ROHS	Packing		
-------	------------------	-----------------	------	---------	--	--

B23021	-	PB	TN	R	TY	
---------------	---	-----------	-----------	----------	-----------	--

PB= Phosphor Bronze	TN= Tin plated	N= Non ROHS	TY= Tray
		R= ROHS Conform	

Battery Coin Cell Holder

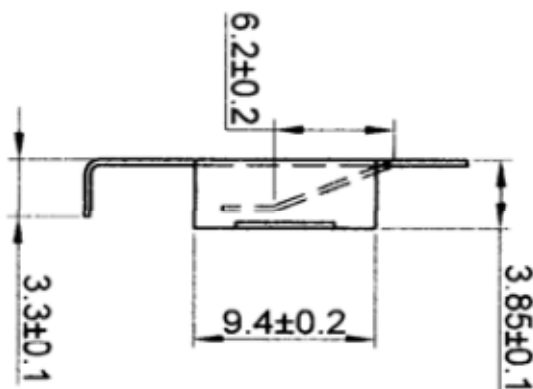
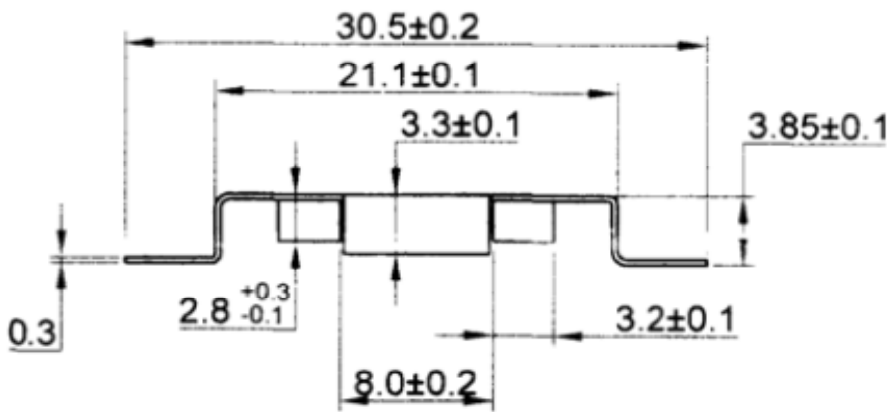
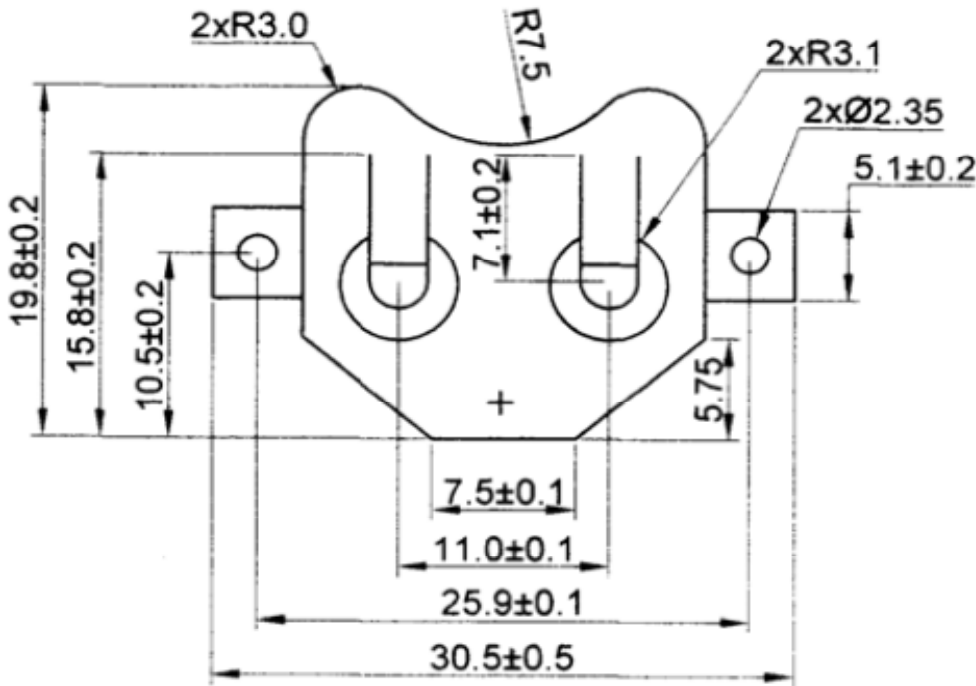
Part No.: **B23021**

Customer:

DRW:	Jason	CHKD	Jules	MATL:	Wu	DATE	05.12.2017
APPD:	Join			FINISH	Shieh	Sheet	1 from 3

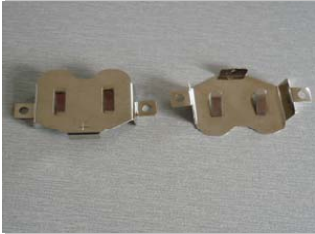


Technical Dimensions

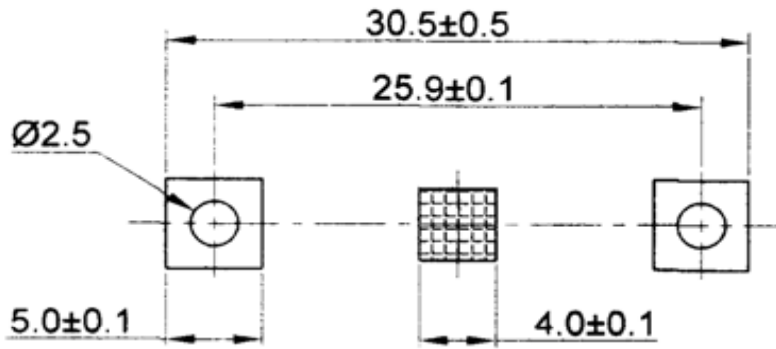


Battery Coin Cell Holder	
Part No.:	B23021
Customer:	

DRW:	Jason	CHKD	Jules	MATL:	Wu	DATE	05.12.2017
APPD:	Join			FINISH	Shieh	Sheet	2 from 3

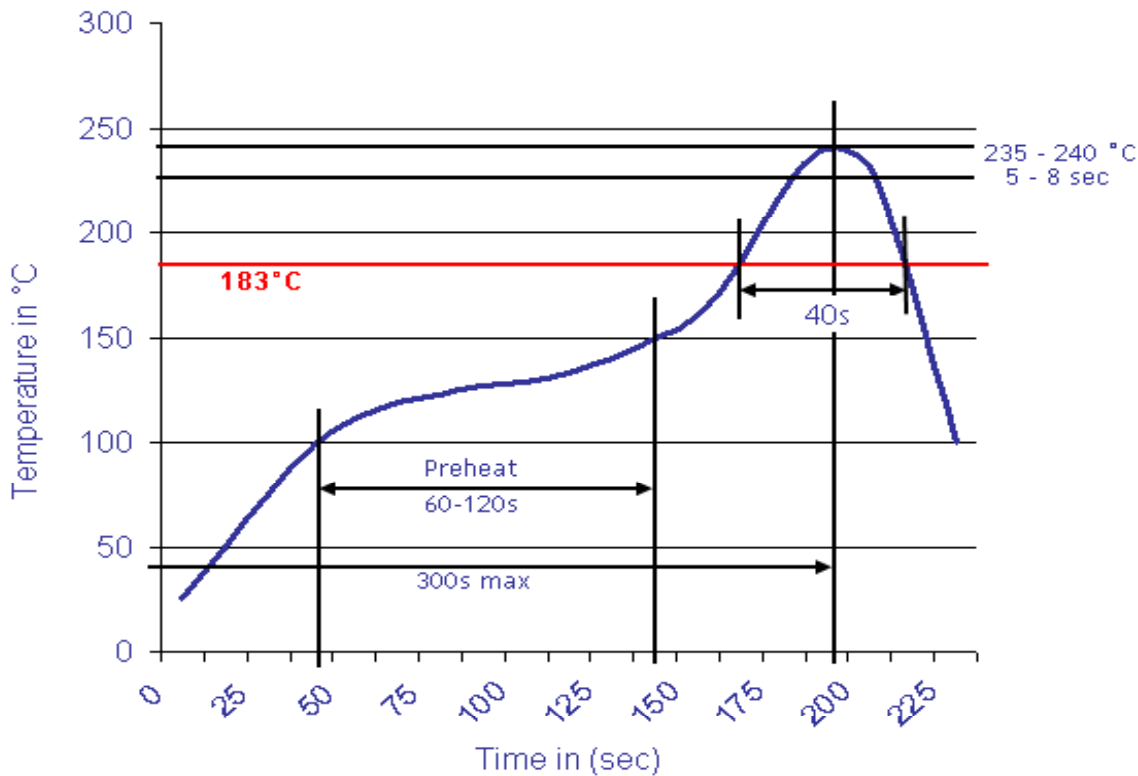


Technical Dimensions PCB Layout



Soldering Profile Curve

Classification Reflow Profile (JEDEC J-STD-020C)



Battery Coin Cell Holder

Part No.: **B23021**

Customer:

DRW:	Jason	CHKD	Jules	MATL:	Wu	DATE	05.12.2017
APPD:	Join			FINISH	Shieh	Sheet	3 from 3

Copyright by S.Tiede