

EDCON-COMPONENTS



Specifications

Features

- Glass passivated die construction
- Plastic Material used carries UL flammability recognition 94V-0
- High surge current capability
- High case dielectric strength of 1500V rms

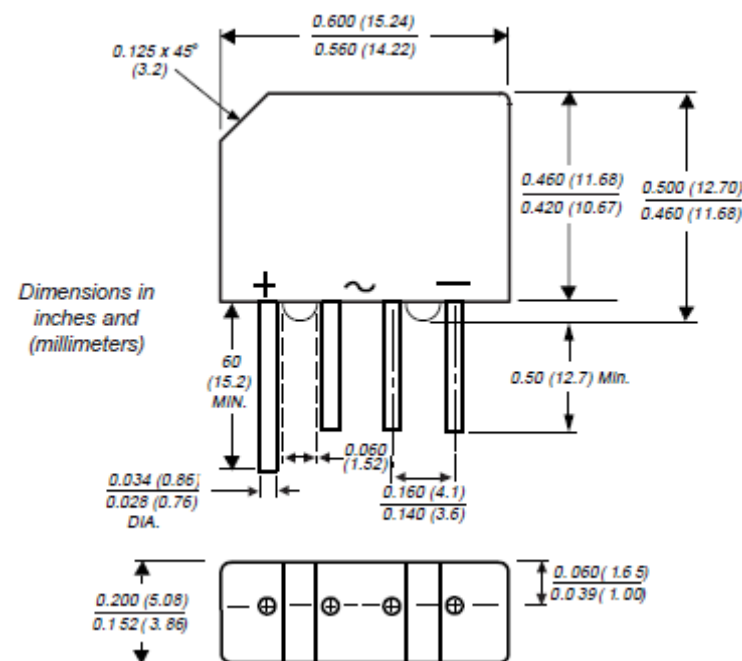
Mechanical Data

- CASE: Molded plastic body
- Terminals: plated leads solderable per MIL-STD-750, Method 2026
- Polarity: Polarity symbols marked on body
- Weight: 2gr.

Maximum Ratings & Electrical Characteristics Ratings at 25°C ambient temperature

	Symbols	KBP 202G	KBP 204G	KBP 206G	KBP 208G	KBP 210G		Unit	
Maximum reoccurrent peak reverse Voltage	VRRM	200	400	600	800	1000		Volt	
Maximum rms Input voltage	VRMS	140	280	420	560	700		Volt	
Maximum dc blocking Voltage	VDC	200	400	600	800	1000		Volt	
Maximum average forward output rectified TA=50°C	I(AV)	2,0							Amps
Peak forward surge current 8,3ms single half sine-wave	IFSM	60							Amps
Rating for dusing (t<8,3ms)	I²t	15							A²sec
Maximum Thermal resistance per led (1)	RoJA	30,0							°C/W
	RoJC	11,0							
Operation Junction and storage temp.ran	Tj, Tstg	-55°C ~ +150°C							°C
Maximum Instantaneous Forward Voltage per Leg	Vf	1,1V							lfm=4
Maximum DC reverse current at rated DC blocking voltage per leg	Ir	5,0µA							T=25°C
		500µA							T=125°C
DRW:	Jason	CHKD	Wilson	MATL:	Wilson	TOLERANCE	Mason	DATE	10.05.2010
APPD:	Schumi			FINISH	Jamy			Sheet No.	1 from 5

Technical Drawing (Unit: inch(mm))



Note (1) Thermal resistance from junction to ambient and from junction to lead mounted on PCB with 0,47 x 0,47" (12x12mm) copper pads

Single In-Line Bridge Rectifier 2A (Glass Passivated)

EDCON-Ser. **E14037**

International Serie: **KBPxxxG**

EDCON-COMPONENTS



Rating & Characteristics Curves (TA=25°C unless otherwise noted)

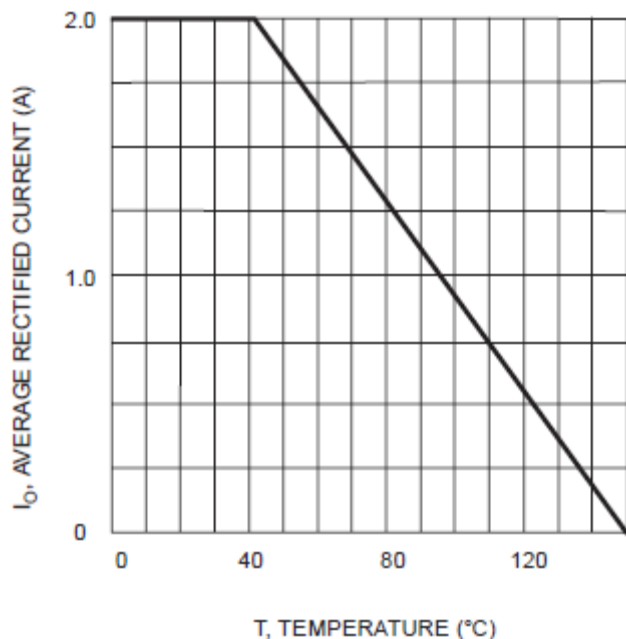


Fig. 1 Forward Current Derating

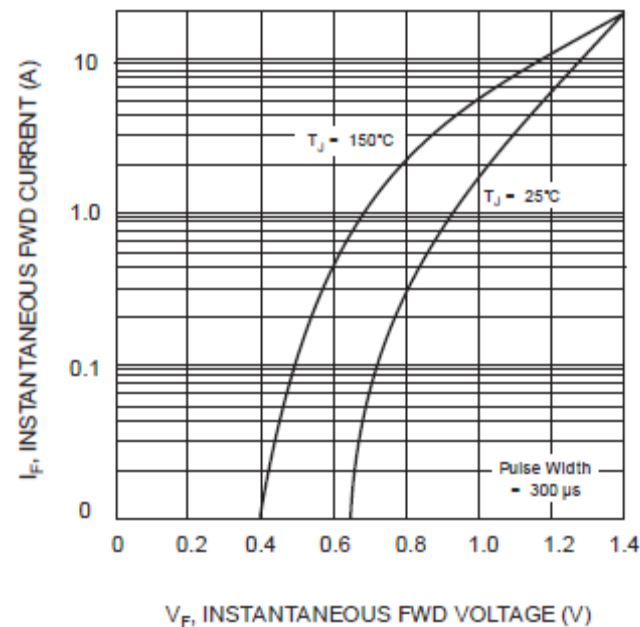


Fig. 2 Typical Fwd Characteristics

**Single Inline Bridge Rectifier 2A
(Glass Passivated)**

EDCON-Ser. **E14037**

International Serie: **KBPxxxG**

DRW:	Jason	CHKD	Wilson	MATL:	Wilson	TOLERANCE	Mason	DATE	10.05.2010
APPD:	Schumi			FINISH	Jamy		Sheet No.	2 from 5	

EDCON-COMPONENTS



Rating & Characteristics Curves (TA=25°C unless otherwise noted)

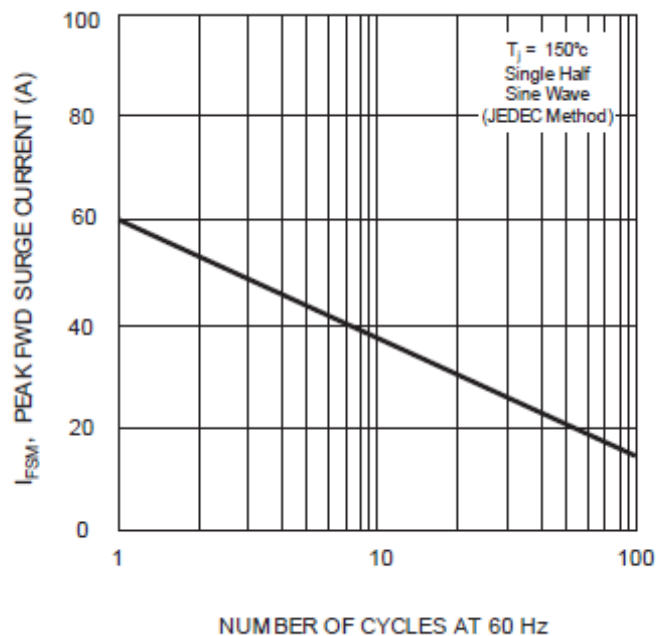


Fig. 3 Max Non-Repetitive Peak Fwd Surge Current

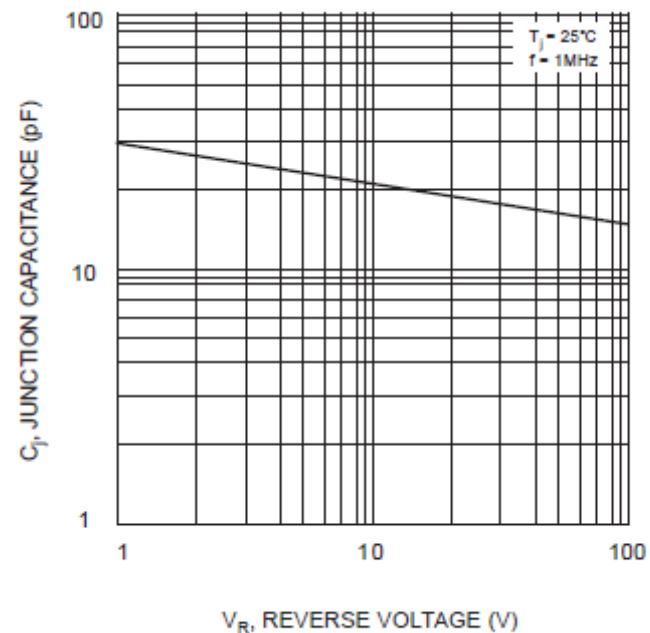


Fig. 4 Typical Junction Capacitance

**Single Inline Bridge Rectifier 2A
(Glass Passivated)**

EDCON-Ser. **E14037**

International Serie: **KBPxxxG**

DRW:	Jason	CHKD	Wilson	MATL:	Wilson	TOLERANCE	Mason	DATE	10.05.2010
APPD:	Schumi			FINISH	Jamy		Sheet No.	3 from 5	

EDCON-COMPONENTS



Rating & Characteristics Curves (TA=25°C unless otherwise noted)

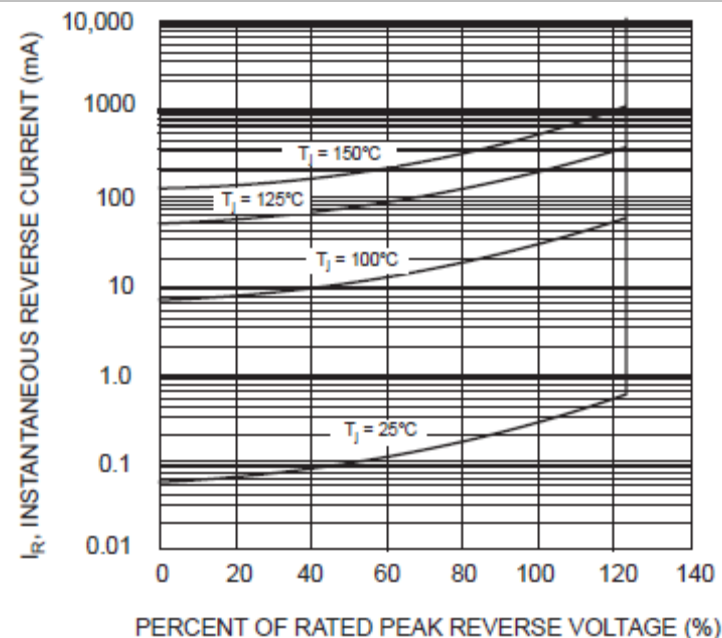


Fig. 5 Typical Reverse Characteristics

Ordering Informations

EDCON Serie	International Type	Lead function	ROHS	Package
-------------	--------------------	---------------	------	---------

E14037	KBPxxxG	LL	R	BX
---------------	----------------	-----------	----------	-----------

Look Voltage Code Table	LL = Long Lead	R = ROHS Conform	BX = Box Packing
	L4 = Lead Length 4mm	N = NON ROHS Conform	

**Single Inline Bridge Rectifier 2A
(Glass Passivated)**

EDCON-Ser. **E14037**

DRW:	Jason	CHKD	Wilson	MATL:	Wilson	TOLERANCE	Mason	DATE	10.05.2010
APPD:	Schumi			FINISH	Jamy		Sheet No.		4 from 5

International Serie: **KBPxxxG**



Soldering Profile Curve

Classification Reflow Profile (JEDEC J-STD-020C)



Single Inline Bridge Rectifier 2A (Glass Passivated)	
EDCON-Ser.	E14037
International Serie:	KBPxxxG

DRW:	Jason	CHKD	Wilson	MATL:	Wilson	TOLERANCE	Mason	DATE	10.05.2010
APPD:	Schumi			FINISH	Jamy		Sheet No.	5 from 5	