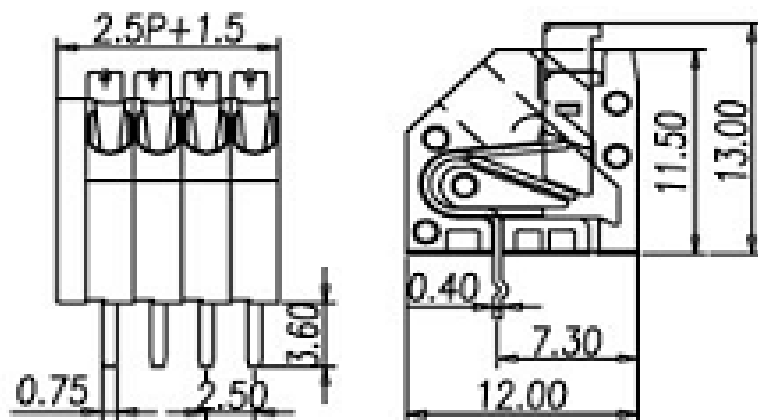
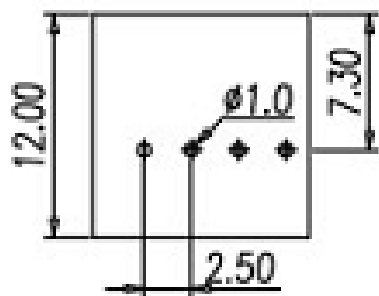




Drawing



P.C.B. Layout



Specifications

APPROVAL



Electrical

Standard	UL	IEC
Rated voltage	150V	130V
Rated current	2A	2A
Wire range	22-20 AWG	0.5mm ²

Mechanical

Temperature range	-40°C ~ +105°C
Strip length	7.5 ~ 8.5mm

Dimensions

Pitch	2.50mm
Poles	2P - 25P

Material

Housing	Nylon PA66 (UL94V-0)
Pin header	Brass, Tin plated
Wire guard	Stainless steel



Certification



Screwless Terminal Block

Pitch 2.50mm

Part No.: **A11E015**

DRW:	Jason	CHKD	Wilson	MATL:	Wilson	TOLERANCE	Mason	DATE	25.09.2009
APPD:	Schumi			FINISH	Jamy		Sheet No.		1 from 3

Customer:



Ordering Informations

Serie	-	No. of Pole	Body-Color	-	Customer Request
A11E015	-	XX	XX	-	X

XX = total	WH - white
02	GN - green
...	GR - gray
24	(standard)
	PG - Phoenix Green
	OR - orange
	BK - black
	BL - blue
	LG - light gray



Certification



Screwless Terminal Block
Pitch 2.50mm

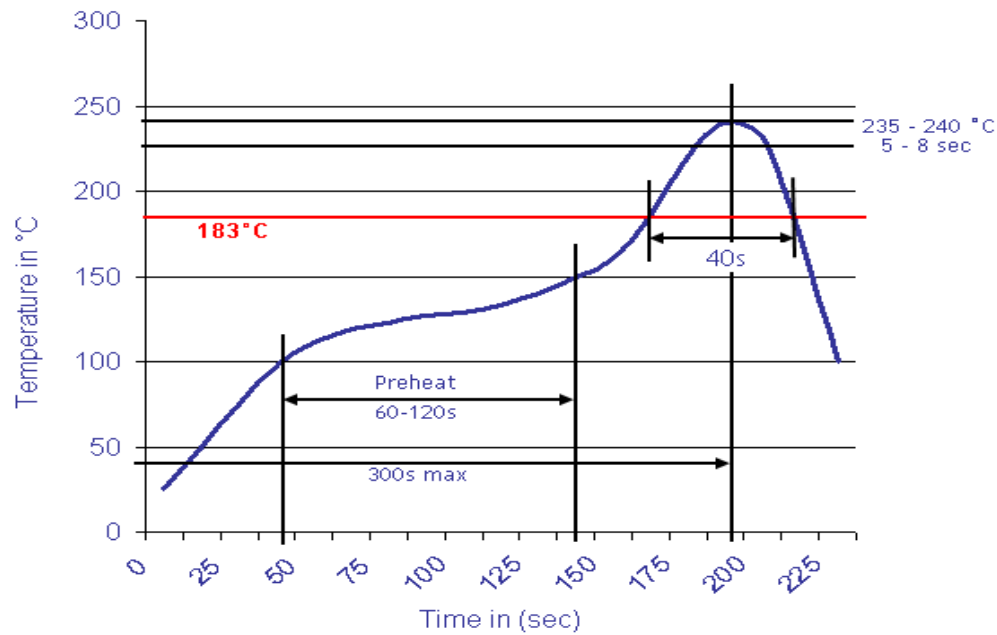
Part No.: **A11E015**

DRW:	Jason	CHKD	Wilson	MATL:	Wilson	TOLERANCE	Mason	DATE	25.09.2009	Customer:
APPD:	Schumi			FINISH	Jamy		Sheet No.	2 from 3		



Soldering - Profil

Classification Reflow Profile (JEDEC J-STD-020C)



Screwless Terminal Block
Pitch 2.50mm

Part No.: **A11E015**

DRW:	Jason	CHKD	Wilson	MATL:	Wilson	TOLERANCE	Mason	DATE	25.09.2009
APPD:	Schumi			FINISH	Jamy		Sheet No.	3 from 3	Customer:

