

EDCON-COMPONENTS



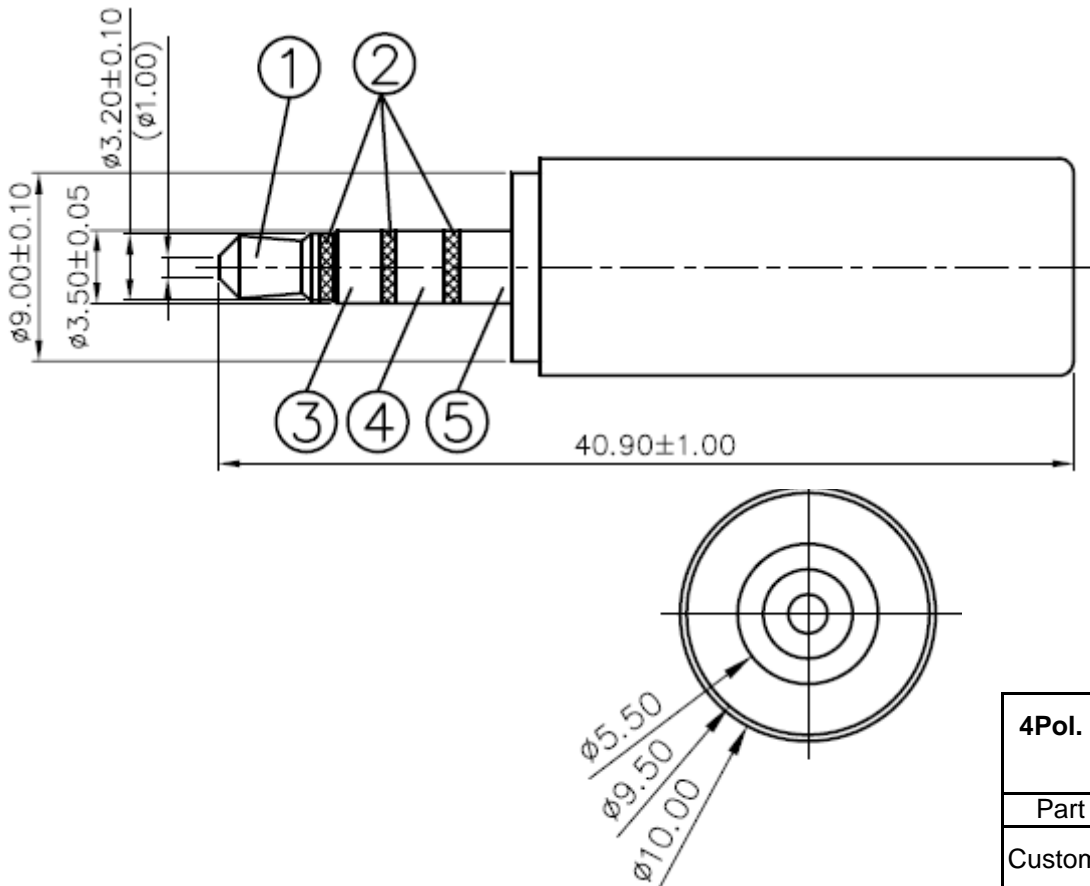
T13I009

Technical Specifications:

Operating Temperature:
Rated Load:
Contact Resistance:
Insulation Resistance:
Withstanding Voltage:
Actuating Force:
Lifetime:
Plastic Cover: (7)
Earth Terminal: (6)
Sleeve: (5)
Ring: (4)
Ring: (3)
Insulator / Tip & Ring: (2)
Contact Head: (1)

. -30°C ~ + 70°C
DC 30V / 0,5A
< 30 mOhm
> 100M Ohm
AC 500V (50Hz) 1min.
3 ~ 20N
5000 cycles
ABS Black Color (Bakelite)
Brass Nickel Plated
Brass Nickel Plated
Brass Nickel Plated
Brass Nickel Plated
Brass Nickel Plated
ABS Black Color
Brass Nickel Plated

Technical Drawing:



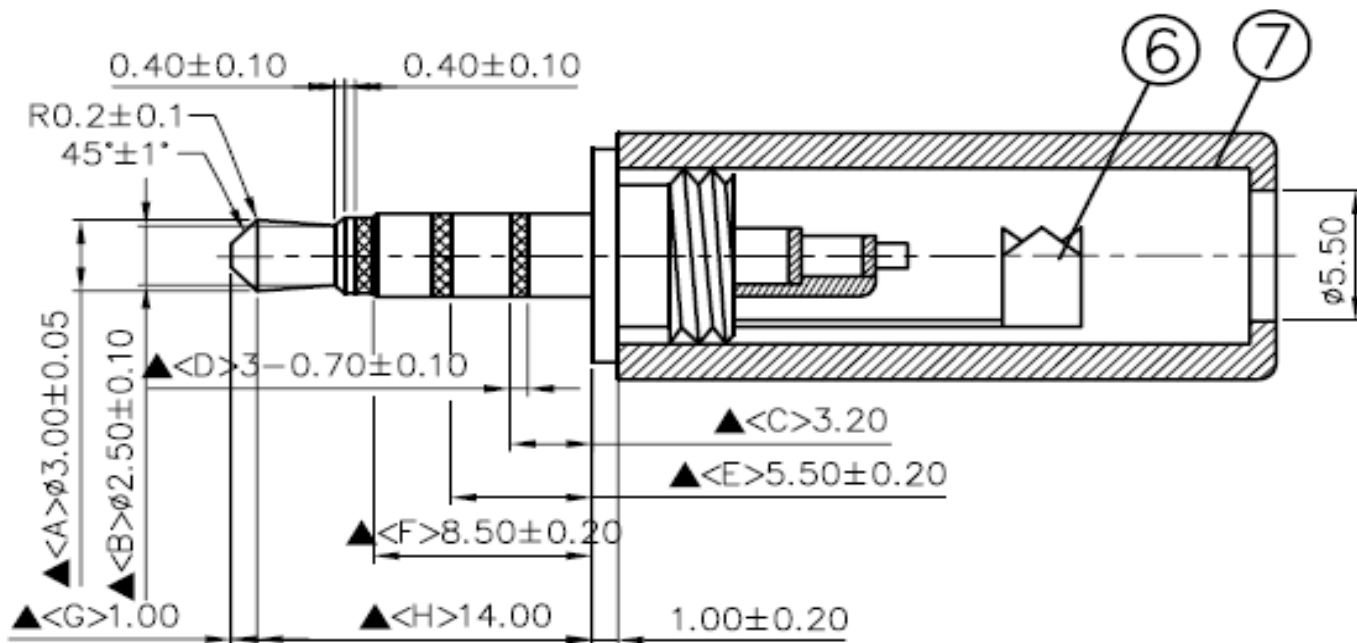
**4Pol. 3,5mm Stereo Audio Plug
for Cable Mounting**

Part No.: **T13I009**

Customer:

DRW:	Jason	CHKD	Wilson	MATL:	Wilson	DATE	04.08.2015
APPD:	Schumi			FINISH	Jamy	Sheet	1 from 2

Copyright by S.Tiede



Tolerance ± 0,2mm unless otherwise specified

Ordering Informations:

Item-No.	Circuit	ROHS	Packing			
T13I009	A	R	BU			

A	R= ROHS N= Non ROHS	BU= Bulk (Standard) IV= Individuel Packing
----------	--------------------------------------	---

4Pol. 3,5mm Stereo Audio Plug for Cable Mounting	
Part No.:	T13I009
Customer:	

DRW:	Jason	CHKD	Wilson	MATL:	Wilson	DATE	04.08.2015
APPD:	Schumi			FINISH	Jamy	Sheet	2 from 2

Copyright by S.Tiede