

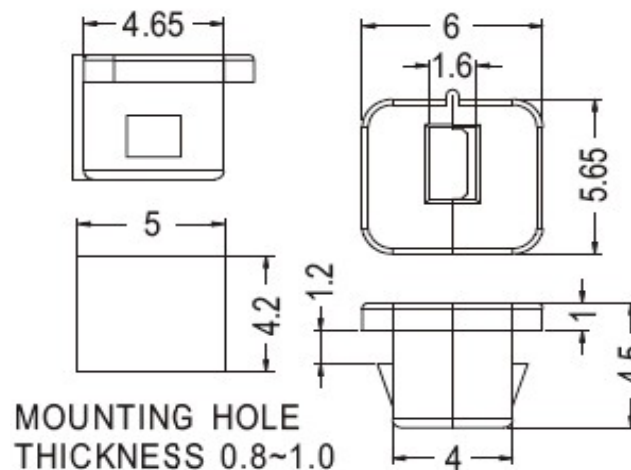
EDCON-COMPONENTS



Technical Informations

Material: Nylon 66 (UL)
 Fmalcalss: 94V-2
 Color: Black
 Chassis Thickness: 0,8 ~ 1,0mm
 Chassis Hole: 5,0 x 4,2mm

Dimension (mm)



Serie	Color of Body	ROHS	Packing
N12009	BK	R	BU
	BK= Black	R= ROHS Conform N= NON ROHS Conform	BU= Bulk Ware

Cable Relief Bushing	
Part No.:	N12009
Customer:	

DRW:	Jason	CHKD	Wilson	MATL:	Wilson	TOLERANCE	Mason	DATE	13.09.2012
APPD:	Schumi			FINISH	Jamy		Sheet No.		1 from 1

www.edcon-components.com

email: info@edcon-components.com