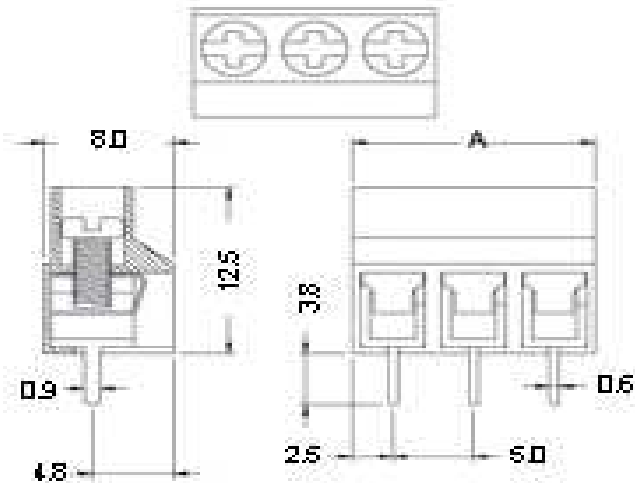


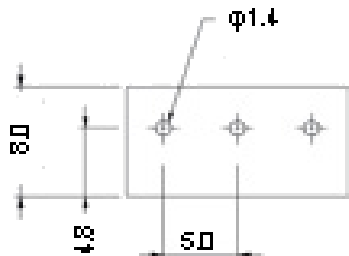
EDCON-COMPONENTS



Drawing



P.C.B. Layout



	A [mm]
02P	10.0
03P	15.0
04P	20.0
05P	25.0
06P	30.0
07P	35.0
08P	40.0
09P	45.0
10P	50.0
11P	55.0
12P	60.0
13P	65.0
14P	70.0
15P	75.0
16P	80.0
17P	85.0
18P	90.0
19P	95.0
20P	100.0
21P	105.0
22P	110.0
23P	115.0
24P	120.0
25P	125.0
26P	130.0
27P	135.0

Specification

APPROVAL



Electrical

Standard

cULus

Rated voltage

AC 300V

Rated current

10A

Wire range

26-14 AWG

Mechanical

Ambient temperature

-40°C ~ +105°C

Screw, Torque

M2.6, 0.45Nm (4.0Lb-In.)

Dimensions

Pitch

5.00mm

Poles

2P - 27P

Material

Housing

PA66 (UL94V-0)

Pin header

Brass, Tin-plated

Screw

steel, Zinc-plated

Wire guard

Stainless strip steel



Certification



Wire Protector Terminal Block /
Pitch 5.00mm

Part No.: A12L054

DRW:	Bill	CHKD	Lord	MATL:	Jimmy	TOLERANCE	Sam	DATE	14.03.2009	Customer:
APPD:	Louis			FINISH	Georg			Sheet No.	1 from 3	

www.edcon-components.com

email: info@edcon-components.com

EDCON-COMPONENTS



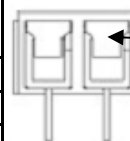
Ordering Informations

Serie	-	No. of Pole	Body-Color	wire protector	Screw	-	Customer Request
A12L054	-	XX	XX	X	X	-	X

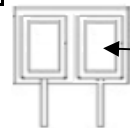
XX = total	WH - white	1 - with wire protector	A - Slotted screw
02	GN - green	2 - without wire protector	B - Cross-slotted screw (standard)
...	GR - gray		
27	BL - blue		



PG - Phoenix Green
OR - orange
LG - light gray
BK - black



wire protector



without wire protector



Certification



Wire Protector Terminal Block /
Pitch 5.00mm

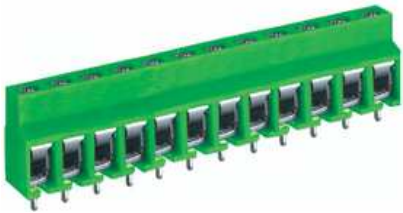
Part No.: A12L054

Customer:

DRW:	Bill	CHKD	Lord	MATL:	Jimmy	TOLERANCE	Sam	DATE	14.03.2009
APPD:	Louis			FINISH	Georg			Sheet No.	2 from 3

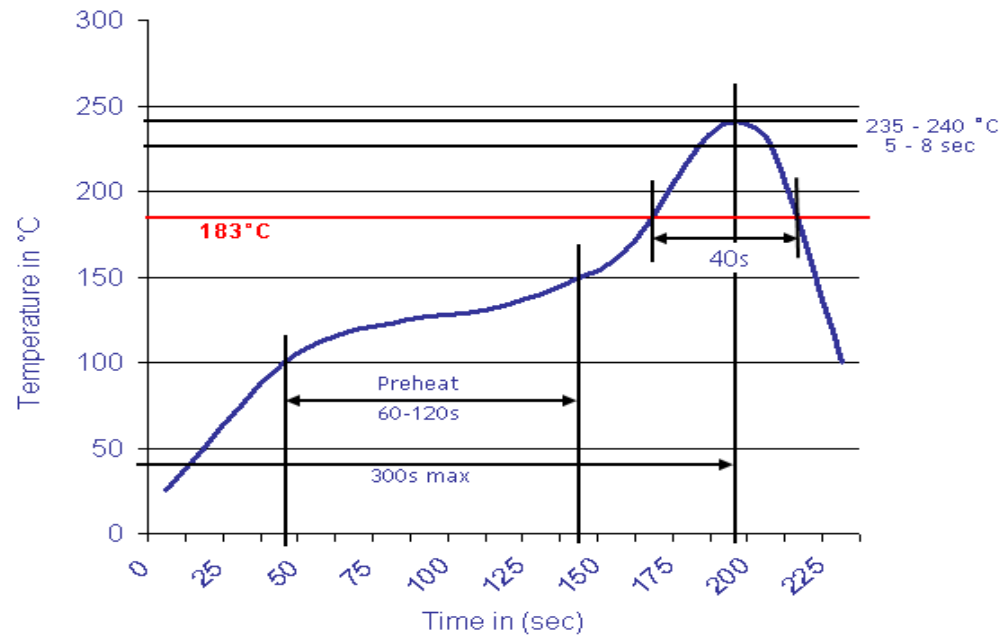
www.edcon-components.com

email: info@edcon-components.com



Soldering - Profil

Classification Reflow Profile (JEDEC J-STD-020C)



Wire Protector Terminal Block /
Pitch 5.00mm

Part No.: A12L054

DRW:	Bill	CHKD	Lord	MATL:	Jimmy	TOLERANCE	Sam	DATE	14.03.2009
APPD:	Louis			FINISH	Georg		Sheet No.	3 from 3	

Customer: