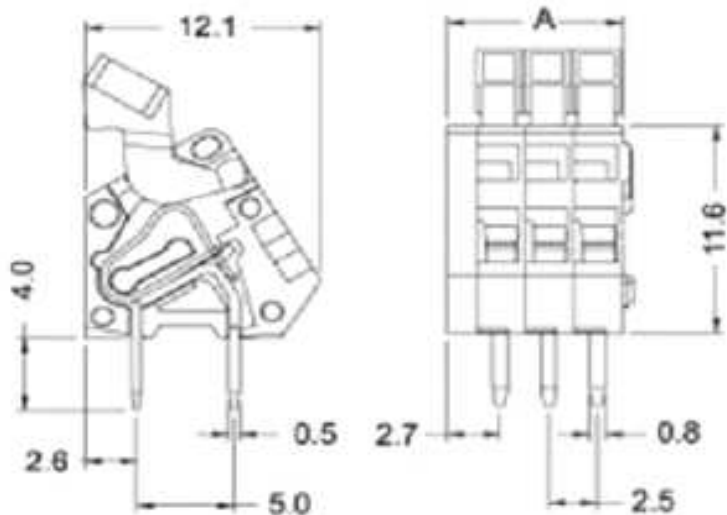


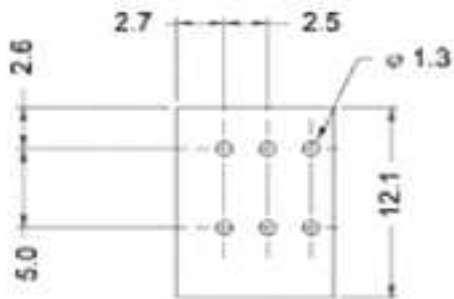
EDCON-COMPONENTS



Drawing



P.C.B. Layout



	A [mm]		A [mm]		A [mm]	
02P	6.5	11P	29.0	20P	51.5	
03P	9.0	12P	31.5	21P	54.0	
04P	11.5	13P	34.0	22P	56.5	
05P	14.0	14P	36.5	23P	59.0	
06P	16.5	15P	39.0	24P	61.5	
07P	19.0	16P	41.5			
08P	21.5	17P	44.0			
09P	24.0	18P	46.5			
10P	26.5	19P	49.0			

Specification

APPROVAL



Electrical

Standard	cUL	VDE
Rated voltage	150V	130V
Rated current	4A	6A
Wire range	28-20 AWG	0.2-0.5mm ²

Mechanical

Operating temperature -40°C ~ +105°C

Dimensions

Pitch 2.50mm
Poles 2P - 24P

Material

Housing Polyamide66 (UL94V-0)
Pin header Brass, Tin plated
Wire guard Stainless strip steel



Certification



Screwless Terminal Block

Pitch 2.50mm

DRW:	Jason	CHKD	Wilson	MATL:	Wilson	TOLERANCE	Mason	DATE	11.08.2009	Part No.:	A11E006
APPD:	Schumi			FINISH	Jamy		Sheet No.		1 from 3	Customer:	

www.edcon-components.com

email: info@edcon-components.com

EDCON-COMPONENTS



Ordering Informations

Serie	-	No. of Pole	Body-Color	-	Customer Request
A11E006	-	XX	XX	-	X

XX = total	OR - orange
02	GN - green
...	GR - gray
24	LG - light gray
	PG - Phoenix Green
	WH - white (standard)
	BK - black
	BL - blue



Screwless Terminal Block
Pitch 2.50mm
Part No.: A11E006
Customer:

DRW:	Jason	CHKD	Wilson	MATL:	Wilson	TOLERANCE	Mason	DATE	11.08.2009	Part No.:	A11E006
APPD:	Schumi			FINISH	Jamy			Sheet No.	2 from 3	Customer:	

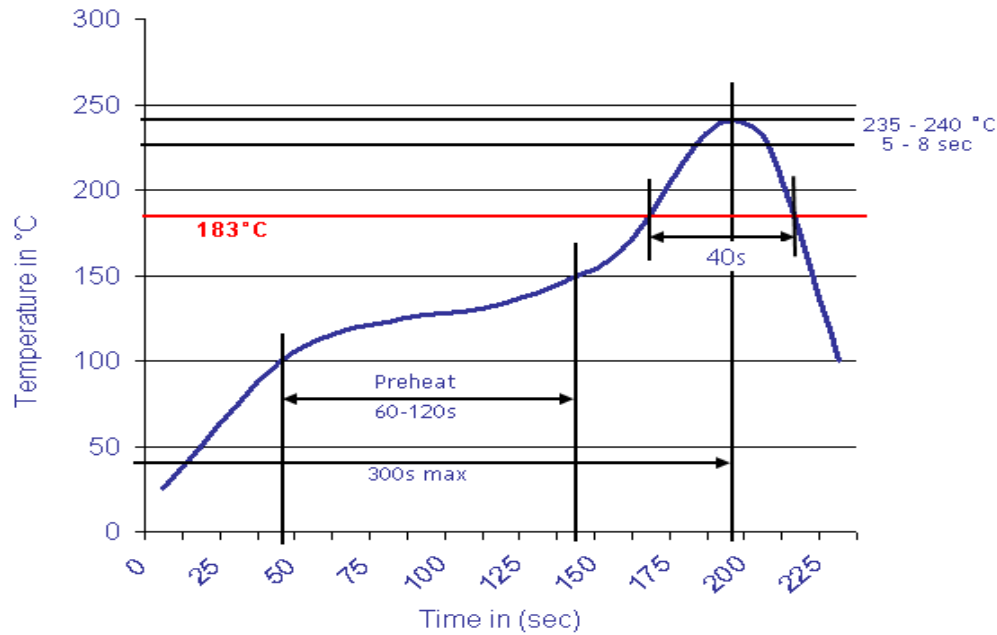
www.edcon-components.com

email: info@edcon-components.com



Soldering - Profil

Classification Reflow Profile (JEDEC J-STD-020C)



Screwless Terminal Block

Pitch 2.50mm

DRW:	Jason	CHKD	Wilson	MATL:	Wilson	TOLERANCE	Mason	DATE	11.08.2009	Part No.:	A11E006
APPD:	Schumi			FINISH	Jamy			Sheet No.	3 from 3	Customer:	

