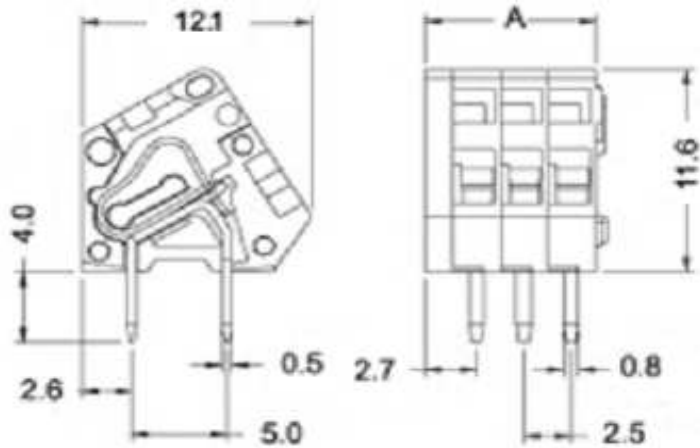


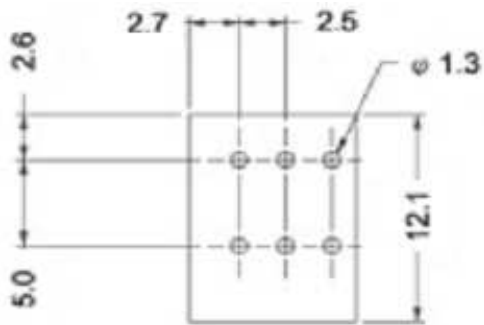
EDCON-COMPONENTS



Drawing



P.C.B. Layout



| | A [mm] | | A [mm] | | A [mm] | |
|-----|--------|-----|--------|-----|--------|--|
| 02P | 6.5 | 13P | 34.0 | 24P | 61.5 | |
| 03P | 9.0 | 14P | 36.5 | | | |
| 04P | 11.5 | 15P | 39.0 | | | |
| 05P | 14.0 | 16P | 41.5 | | | |
| 06P | 16.5 | 17P | 44.0 | | | |
| 07P | 19.0 | 18P | 46.5 | | | |
| 08P | 21.5 | 19P | 49.0 | | | |
| 09P | 24.0 | 20P | 51.5 | | | |
| 10P | 26.5 | 21P | 54.0 | | | |
| 11P | 29.0 | 22P | 56.5 | | | |
| 12P | 31.5 | 23P | 59.0 | | | |

Specification

APPROVAL



Electrical

| | | |
|---------------|-----------|------------------------|
| Standard | cULus | VDE |
| Rated voltage | 150V | 130V |
| Rated current | 4A | 6A |
| Wire range | 28-20 AWG | 0.2-0.5mm ² |

Mechanical

Operating temperature -40°C ~ +105°C

Dimensions

Pitch 2.50mm
Poles 2P - 24P

Material

Housing Polyamide66 (UL94V-0)
Pin header Brass, Tin plated
Wire guard Stainless strip steel



Certification



Screwless Terminal Block

Pitch 2.50mm

| | | | | | | | | | | | |
|-------|--------|------|--------|--------|--------|-----------|-----------|----------|------------|-----------|---------|
| DRW: | Jason | CHKD | Wilson | MATL: | Wilson | TOLERANCE | Mason | DATE | 11.08.2009 | Part No.: | A11E002 |
| APPD: | Schumi | | | FINISH | Jamy | | Sheet No. | 1 from 3 | | Customer: | |

www.edcon-components.com

email: info@edcon-components.com

Copyright by EDCON-COMPONENTS

EDCON-COMPONENTS



Ordering Informations

| Serie | - | No. of Pole | Body-Color | - | Customer Request |
|---------|---|-------------|------------|---|------------------|
| A11E002 | - | XX | XX | - | X |

| | |
|------------|--------------------|
| XX = total | GR - gray |
| 02 | GN - green |
| ... | WH - white |
| 24 | (standard) |
| | PG - Phoenix Green |
| | OR - orange |
| | BK - black |
| | BL - blue |
| | LG - light gray |



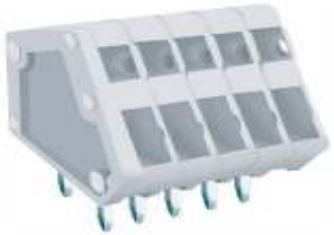
Screwless Terminal Block

Pitch 2.50mm

| | | | | | | | | | | | |
|-------|--------|------|--------|--------|--------|-----------|-------|-----------|------------|-----------|---------|
| DRW: | Jason | CHKD | Wilson | MATL: | Wilson | TOLERANCE | Mason | DATE | 11.08.2009 | Part No.: | A11E002 |
| APPD: | Schumi | | | FINISH | Jamy | | | Sheet No. | 2 from 3 | Customer: | |

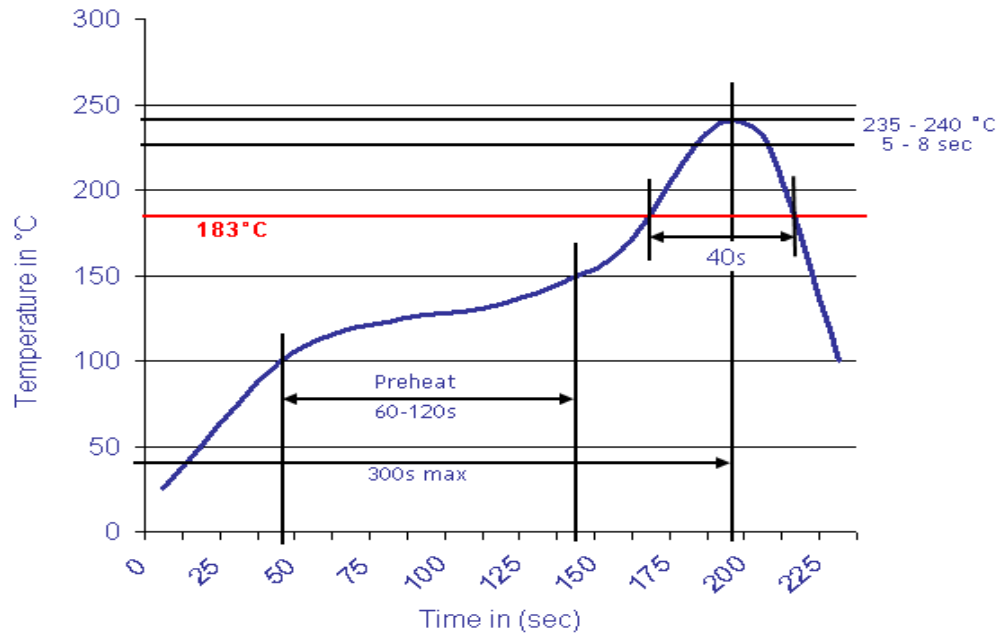
www.edcon-components.com

email: info@edcon-components.com



Soldering - Profil

Classification Reflow Profile (JEDEC J-STD-020C)



| | |
|--------------------------|---------|
| Screwless Terminal Block | |
| Pitch 2.50mm | |
| Part No.: | A11E002 |
| Customer: | |

| | | | | | | | | | |
|-------|--------|------|--------|--------|--------|-----------|-------|-----------|------------|
| DRW: | Jason | CHKD | Wilson | MATL: | Wilson | TOLERANCE | Mason | DATE | 11.08.2009 |
| APPD: | Schumi | | | FINISH | Jamy | | | Sheet No. | 3 from 3 |