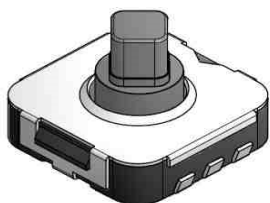


# EDCON-COMPONENTS



## SPECIFICATION:

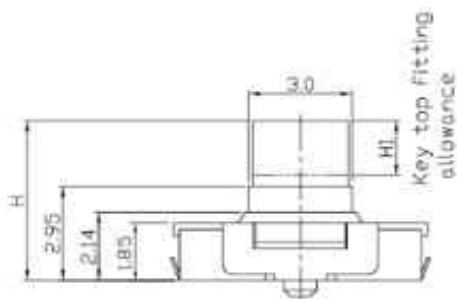
Current Rating:	DC12V / 50mA
Circuit:	1C-5P
Timing:	NON-Shorting
Travel:	4Directional: 0,25mm Center Push: 0,15mm
Contact Resistance:	500mΩ max.
Operating force:	4-Directional 160gr. +/- 50gr Center Push 250gr +/- 50gr.
Operating Life:	200.000 Cycles

## Features:

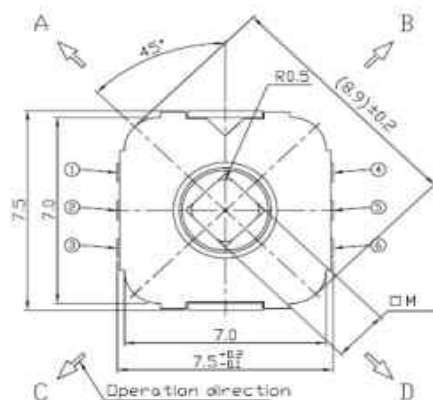
4 Directional Center push switch with a body height of 1,8mm for compact and slimmer set design.

Multi-directional input type with four directions plus push down.

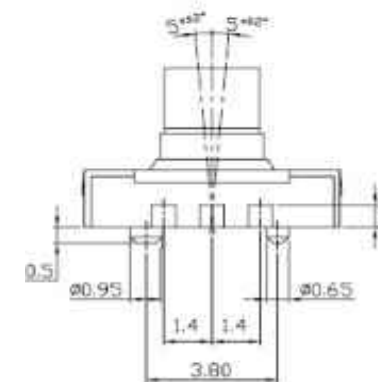
Contributing to smaller space designing by ist.  
Suitable for reflow-soldering



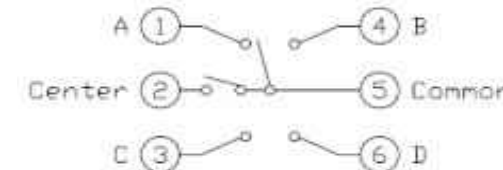
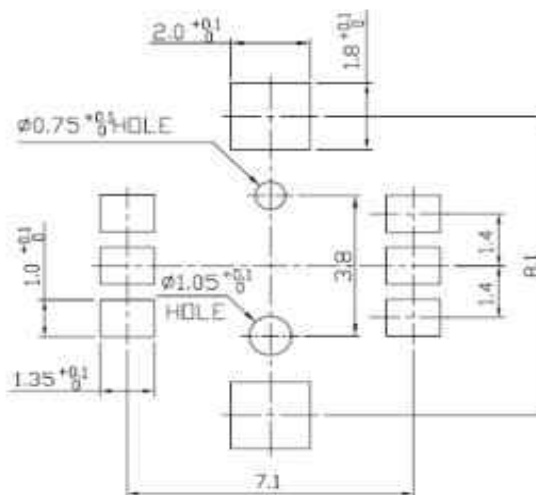
## Drawing



PCB Layout



Circuit Diagram



## SMT TACT SWITCH

Part No.: **Q43001**

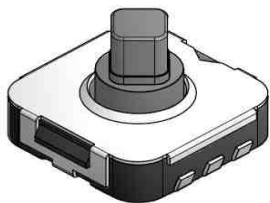
Customer:

DRW:	Jason	CHKD	Wilson	MATL:	Wilson	TOLERANCE	Mason	DATE	02.07.2009
APPD:	Schumi			FINISH	Jamy		Sheet No.	1 from 3	

[www.edcon-components.com](http://www.edcon-components.com)

email: [info@edcon-components.com](mailto:info@edcon-components.com)

# EDCON-COMPONENTS

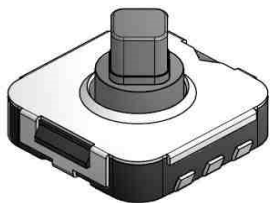


## Ordering Informations

Serie	Total height (H)	Function	Operating Force	Function	Electrical life	Function	ROHS	Packing		
<b>Q43001</b>	<b>A</b>	<b>N</b>	<b>A</b>	<b>N</b>	<b>204</b>	<b>N</b>	<b>R</b>	<b>BU102</b>		
	A= 5,0/1,7/1,95mm	N= No function	A = 160/250gr	N= No function	204= 200000 cycles by 160 / 250 gr. O-Force	N= No function	N= non ROHS	BU102= Bulk 1000PCS		
	B= 5,0/1,7/1,85mm						R= ROHS conform	TR= Tape Reel		
	C= 6,5/3,2/1,95mm									

<b>SMT TACT SWITCH</b>	
Part No.:	<b>Q43001</b>
Customer:	

DRW:	Jason	CHKD	Wilson	MATL:	Wilson	TOLERANCE	Mason	DATE	02.07.2009
APPD:	Schumi			FINISH	Jamy		Sheet No.	2 from 3	



**Soldering Profile for Lead Free Soldering**

**Classification Reflow Profile (JEDEC J-STD-020C)**



**SMT TACT SWITCH**

Part No.: **Q43001**

DRW:	Jason	CHKD	Wilson	MATL:	Wilson	TOLERANCE	Mason	DATE	02.07.2009
APPD:	Schumi			FINISH	Jamy		Sheet No.	3 from 3	Customer: