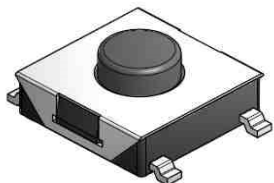


EDCON-COMPONENTS



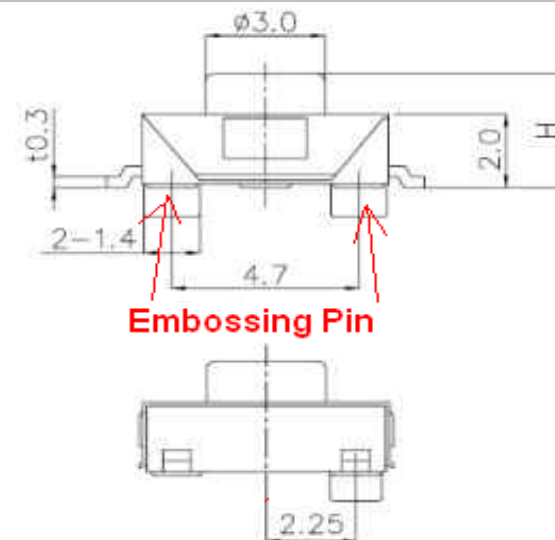
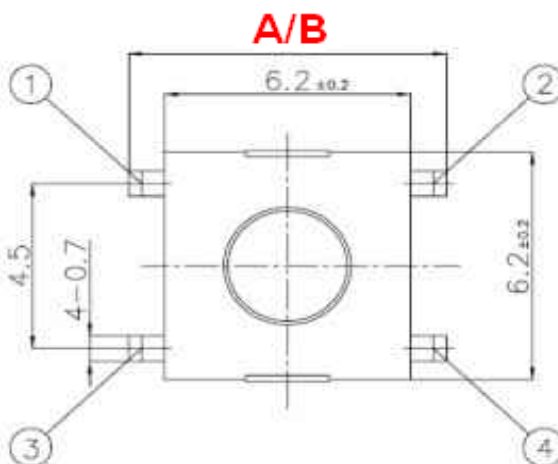
SPECIFICATION:

Current Rating:	DC12V / 50mA
Insulator Resistance:	100 Mega Ω min.
Contact Resistance:	100 m Ω max.
Travel:	0,2 / +/- 0,1mm
Operating Temperature:	-.40°C to +105°C
Lifetime:	look order code
Operating Force:	look order code

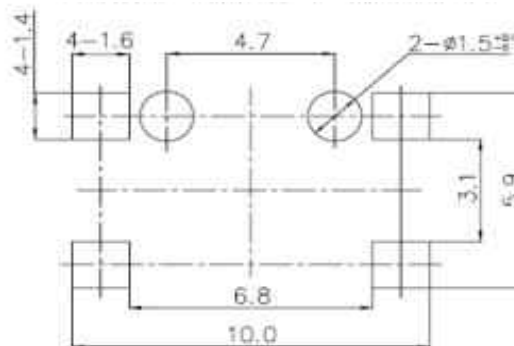
Common Specifications

Life Test	50/80 Cycles / Min with 5VDC 5mA Resistive load Cycles of Operation: As per individual Specifications
Dry Heat Proof	80°C +/- 2°C for 96hours after Test Kept in Normal Condition for 30Min.
Moisture Resistance	60°C +/- 2°C 90~95% RH for 96 Hours After Test, Kept in Normal Condition for 30 Minutes
Cold Proof	-.30°C for 96 Hours After Test Kept in Normal Condition for 30 Minutes.
Operating Force	If refers to the maximum load at the time of switching over of the contacts. (Point A in the figure)
Travel	This refers to the state of repeating the contact opening or closing momentarily at the time of the changeover of the switch to ON or OFF. Longer duration of this state

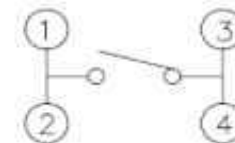
Drawing



PCB Layout



Circuit Diagram



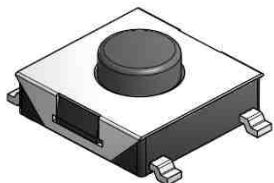
SMT TACT SWITCH

Part No.: **Q12066**

Customer:

DRW:	Jason	CHKD	Wilson	MATL:	Wilson	TOLERANCE	Mason	DATE	02.07.2009
APPD:	Schumi			FINISH	Jamy		Sheet No.	1 from 3	

EDCON-COMPONENTS



Ordering Informations

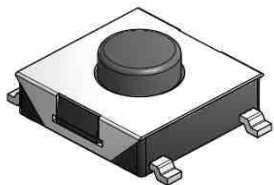
Serie	Total height (H)	Lead Length	Operating Force	Embossing Pin	Electrical life	Function	ROHS	Packing		
Q12066	025	A	101	Y	803	N	R	BU102		
	025= 2,5mm	A= 8mm	101 = 100gr	Y= with embossing pin	803= 80000 cycles by 100gr. O-Force	N= No function	N= non ROHS	BU102= Bulk 1000PCS		
	031= 3,1mm	B= 10mm	131 = 130gr	N= without embossing pin	803= 80000 cycles by 130gr. O-Force		R= ROHS conform	TR= Tape Reel		
			161 = 160gr		803= 80000 cycles by 160gr. O-Force					
			251 = 250gr		503= 50000 cycles by 250gr. O-Force					
			351 = 350gr		503= 50000 cycles by 350gr. O-Force					
			501 = 500gr		303= 30000 cycles by 500gr. O-Force					

SMT TACT SWITCH

Part No.: **Q12066**

DRW:	Jason	CHKD	Wilson	MATL:	Wilson	TOLERANCE	Mason	DATE	02.07.2009
APPD:	Schumi			FINISH	Jamy		Sheet No.		2 from 3

Customer:



Soldering Profile for Lead Free Soldering

Classification Reflow Profile (JEDEC J-STD-020C)



SMT TACT SWITCH

Part No.: **Q12066**

Customer:

DRW:	Jason	CHKD	Wilson	MATL:	Wilson	TOLERANCE	Mason	DATE	02.07.2009
APPD:	Schumi			FINISH	Jamy		Sheet No.	3 from 3	