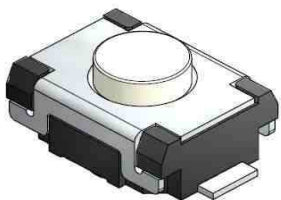


# EDCON-COMPONENTS



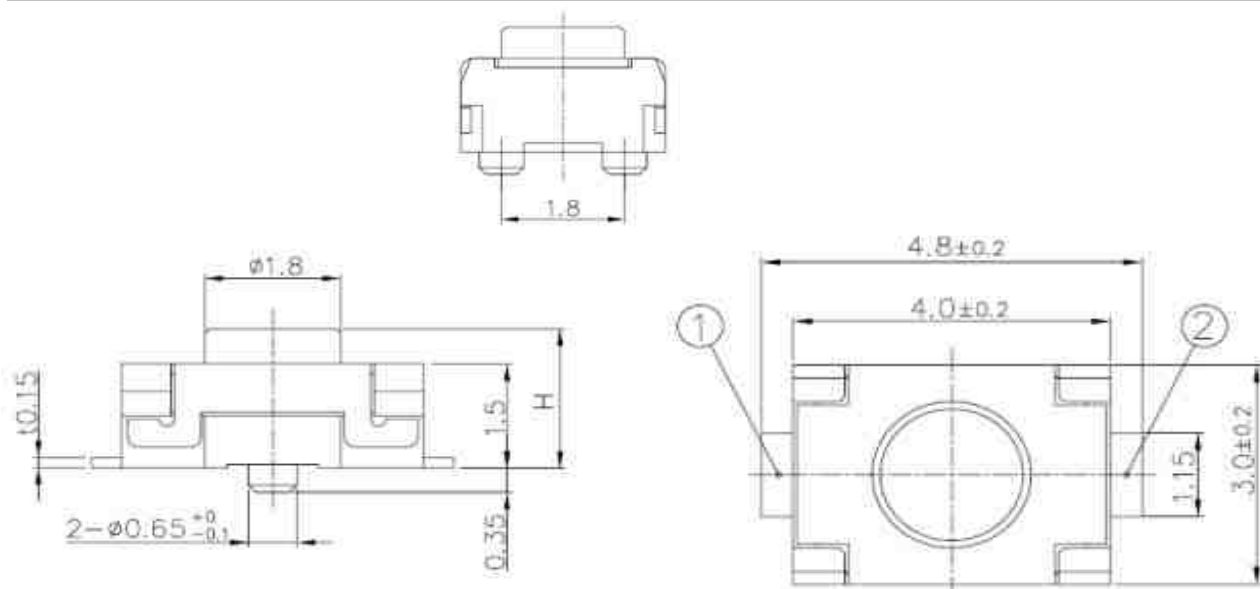
## SPECIFICATION:

Current Rating:	DC12V / 50mA
Insulator Resistance:	100 Mega $\Omega$ min.
Contact Resistance:	100 m $\Omega$ max.
Travel:	0,3 / +/- 0,1mm
Operating Temperature:	.-40°C to +105°C
Lifetime:	look order code
Operating Force:	look order code

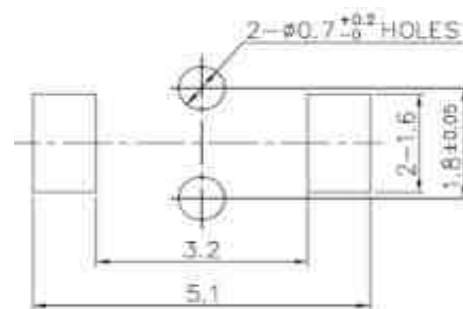
## Common Specifications

Life Test	50/80 Cycles / Min with 5VDC 5mA Resistive load Cycles of Operation: As per individual Specifications
Dry Heat Proof	80°C +/- 2°C for 96hours after Test Kept in Normal Condition for 30Min.
Moisture Resistance	60°C +/- 2°C 90~95% RH for 96 Hours After Test, Kept in Normal Condition for 30 Minutes
Cold Proof	. 30°C for 96 Hours After Test Kept in Normal Condition for 30 Minutes.
Operating Force	If refers to the maximum load at the time of switching over of the contacts. (Point A in the figure)
Travel	This refers to the state of repeating the contact opening or closing momentarily at the time of the changeover of the switch to ON or OFF. Longer duration of this state

## Drawing



## PCB Layout



## Circuit Diagram



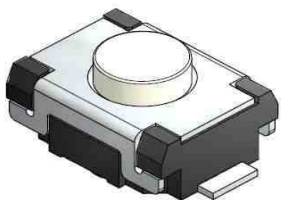
## SMT TACT SWITCH

Part No.: **Q12058**

Customer:

DRW:	Jason	CHKD	Wilson	MATL:	Wilson	TOLERANCE	Mason	DATE	02.07.2009
APPD:	Schumi			FINISH	Jamy		Sheet No.		1 from 3

# EDCON-COMPONENTS



## Ordering Informations

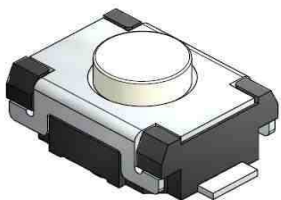
Serie	Total height (H)	Function	Operating Force	Function	Electrical life	Function	ROHS	Packing		
<b>Q12058</b>	<b>020</b>	<b>N</b>	<b>161</b>	<b>N</b>	<b>104</b>	<b>N</b>	<b>R</b>	<b>BU102</b>		
	020= 2,0mm	N= No function	161 = 160gr	N= No function	104= 100000 cycles by 160gr. O-Force	N= No function	N= non ROHS	BU102= Bulk 1000PCS		
			251 = 250gr		104= 100000 cycles by 250gr. O-Force		R= ROHS conform	TR= Tape Reel		

**SMT TACT SWITCH**

Part No.: **Q12058**

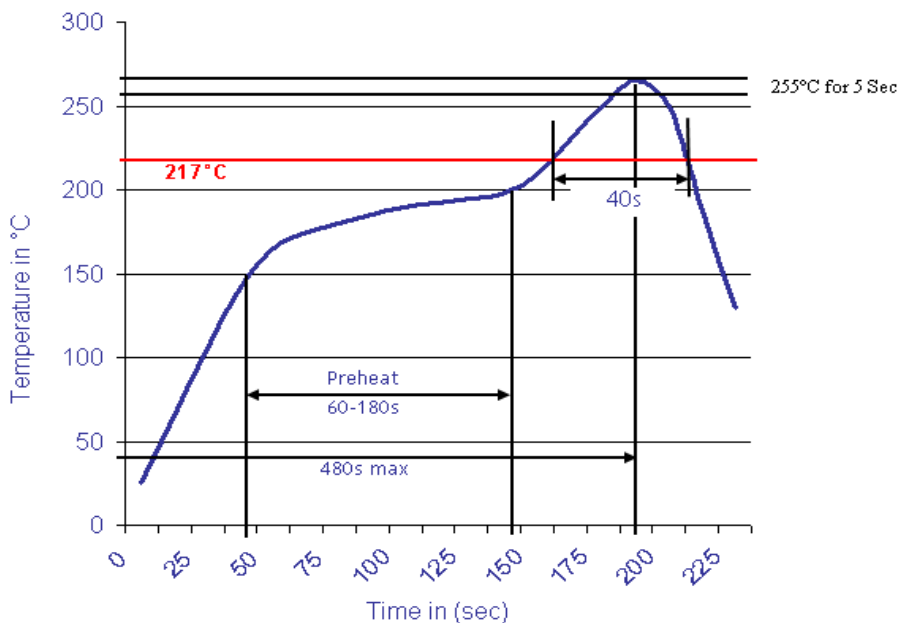
Customer:

DRW:	Jason	CHKD	Wilson	MATL:	Wilson	TOLERANCE	Mason	DATE	02.07.2009
APPD:	Schumi			FINISH	Jamy		Sheet No.		2 from 3



**Soldering Profile for Lead Free Soldering**

**Classification Reflow Profile (JEDEC J-STD-020C)**



**SMT TACT SWITCH**

Part No.: **Q12058**

Customer:

DRW:	Jason	CHKD	Wilson	MATL:	Wilson	TOLERANCE	Mason	DATE	02.07.2009
APPD:	Schumi			FINISH	Jamy		Sheet No.	3 from 3	