

EDCON-COMPONENTS



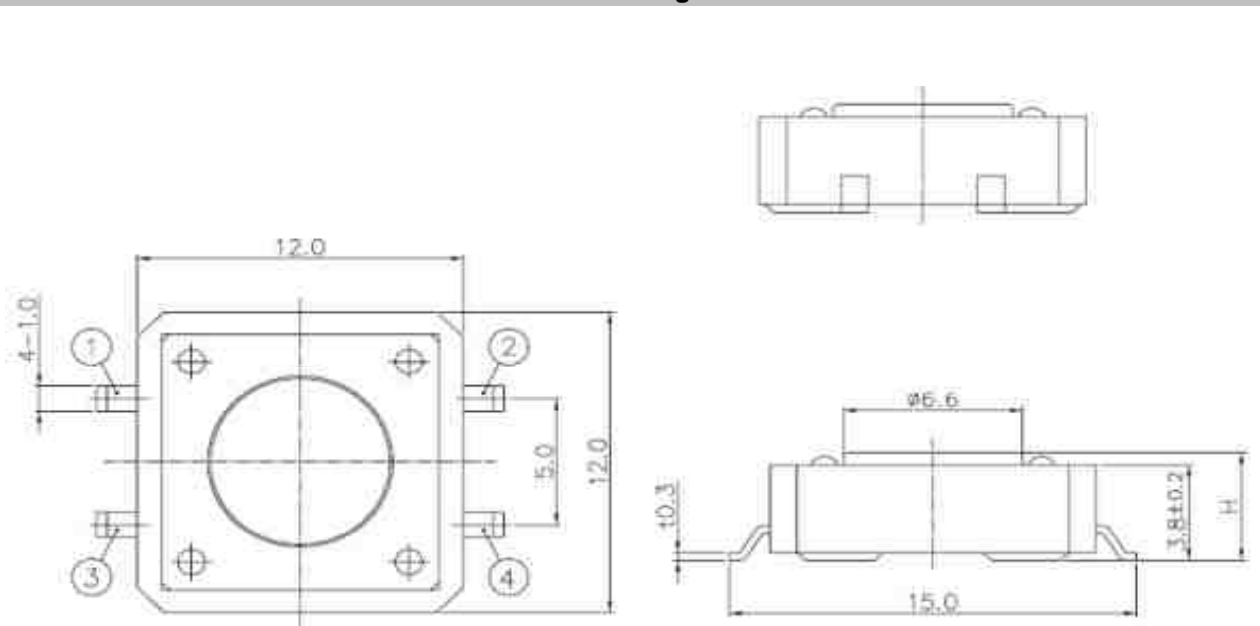
SPECIFICATION:

Current Rating:	DC12V / 50mA
Insulator Resistance:	100 Mega Ω min.
Contact Resistance:	100 m Ω max.
Travel:	0,3 / +/- 0,1mm
Operating Temperature:	-.40°C to +105°C
Lifetime:	look order code
Operating Force:	look order code

Common Specifications

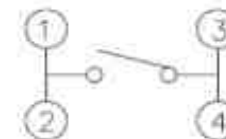
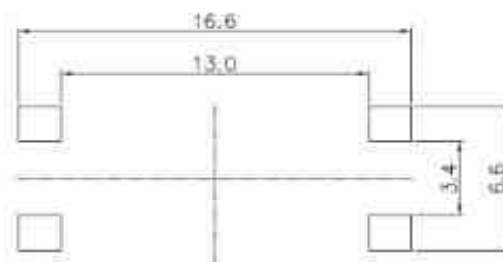
Life Test	50/80 Cycles / Min with 5VDC 5mA Resistive load Cycles of Operation: As per individuall Specifications
Dry Heat Proof	80°C +/- 2°C for 96hours after Test Kept in Normal Condition for 30Min.
Moisture Resistance	60°C +/- 2°C 90~95% RH for 96 Hours After Test, Kept in Normal Condition for 30 Minutes
Cold Proof	. 30°C for 96 Hours After Test Kept in Normal Condition for 30 Minutes.
Operating Force	If refers to the maximum load at the time of switching over of the contacts. (Point A in the figure)
Travel	This refers to the state of repeating the contact opening or closing momentarily at the time of the changeover of the switch to ON or OFF. Longer duration of this state

Drawing



PCB Layout

Circuit Diagram



**SMT TACT SWITCH
12x12mm**

Part No.: **Q12038**

Customer:

DRW:	Jason	CHKD	Wilson	MATL:	Wilson	TOLERANCE	Mason	DATE	20.08.2018
APPD:	Schumi			FINISH	Jamy		Sheet No.	1 from 3	

EDCON-COMPONENTS



Ordering Informations

Serie	Total length	Function	Operating Force	Function	Electrical life	Function	ROHS	Packing		
Q12038	043	N	131	N	304	N	R	TR		
	043= 4,3mm	N= No function	131 = 130gr	N= No function	304= 300000 cycles by 130gr. O-Force	N= No function	N= non ROHS	TR= Tape / Reel (MOQ)		
	045= 4,5mm		181 = 180gr		304= 300000 cycles by 180gr. O-Force		R= ROHS conform	TU= Tube		
	050= 5,0mm		251 = 250gr		104= 100000 cycles by 250gr. O-Force			BU= Bulk-Ware		
	055= 5,5mm									
	060= 6,0mm									
	065= 6,5mm									
	070= 7,0mm									
	075= 7,5mm									
	080= 8,0mm									
	085= 8,5mm									
	090= 9,0mm									
	095= 9,5mm									
	100= 10,0mm									
	105= 10,5mm									
	110= 11,0mm									
	115= 11,5mm									
	120= 12,0mm	160= 16,0mm								
	125= 12,5mm	165= 16,5mm								
	130= 13,0mm	170= 17,0mm								
	135= 13,5mm	175= 17,5mm								
	140= 14,0mm	180= 18,0mm								
	145= 14,5mm	185= 18,5mm								
	150= 15,0mm	190= 19,0mm								
	155= 15,5mm	195= 19,5mm								

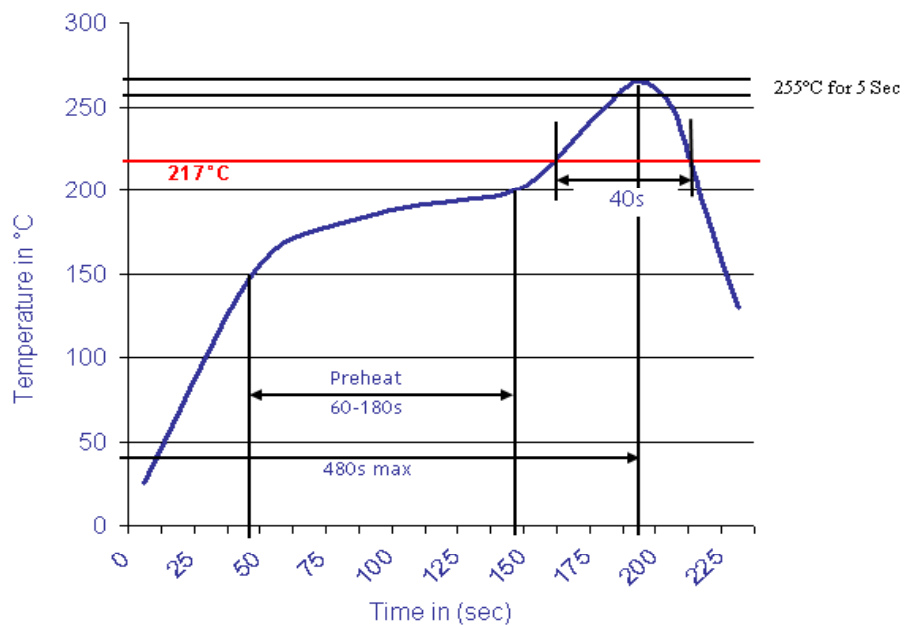
SMT TACT SWITCH 12x12mm	
Part No.:	Q12038
Customer:	

DRW:	Jason	CHKD	Wilson	MATL:	Wilson	TOLERANCE	Mason	DATE	20.08.2018
APPD:	Schumi			FINISH	Jamy		Sheet No.		2 from 3



Soldering Profile for Lead Free Soldering

Classification Reflow Profile (JEDEC J-STD-020C)



**SMT TACT SWITCH
12x12mm**

Part No.: **Q12038**

DRW:	Jason	CHKD	Wilson	MATL:	Wilson	TOLERANCE	Mason	DATE	20.08.2018
APPD:	Schumi			FINISH	Jamy		Sheet No.	3 from 3	Customer: