

EDCON-COMPONENTS



SPECIFICATION:

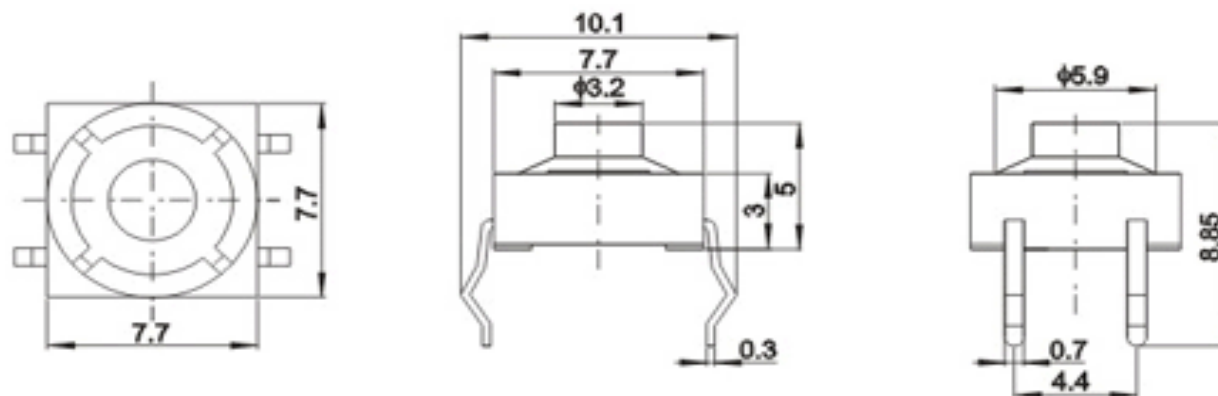
Current Rating: DC12V / 5mA
 Insulator Resistance: 100 Mega Ω min. (DC250V)
 Contact Resistance: 1K0 m Ω max. (initial)

Operating Temperature: -20°C to +70°C
 Lifetime: look order code
 Operating Force: look order code

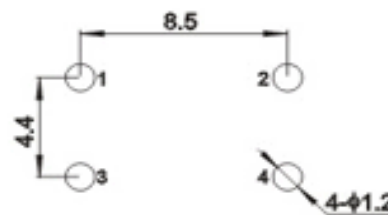
Common Specifications

Life Test	50/80 Cycles / Min with 5VDC 5mA Resistive load Cycles of Operation: As per individual Specifications
Dry Heat Proof	80°C +/- 2°C for 96hours after Test Kept in Normal Condition for 30Min.
Moisture Resistance	60°C +/- 2°C 90~95% RH for 96 Hours After Test, Kept in Normal Condition for 30 Minutes
Cold Proof	-30°C for 96 Hours After Test Kept in Normal Condition for 30 Minutes.
Operating Force	If refers to the maximum load at the time of switching over of the contacts. (Point A in the figure)
Travel	This refers to the state of repeating the contact opening or closing momentarily at the time of the changeover of the switch to ON or OFF. Longer duration of this state

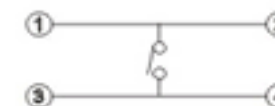
Drawing



PCB Layout



Circuit Diagram



TACT SWITCH THT
7,8x7,8mm

Part No.: **Q11110**

DRW:	Jason	CHKD	Wilson	MATL:	Wilson	TOLERANCE	Mason	DATE	17.09.2013
APPD:	Schumi			FINISH	Jamy		Sheet No.	1 from 3	Customer:

EDCON-COMPONENTS



Ordering Informations

Serie	Total length (L)	Function	Operating Force	Function	Electrical life	Function	ROHS	Packing		
Q11110	050	N	101	N	104	N	R	BU		
	050= 5,0mm	N= No function	101 = 100gr	N= No function	104= 100000 cycles by 100gr. O-Force	N= No function	N= non ROHS R= ROHS conform	BU= Bulk Ware		

**TACT SWITCH THT
7,8x7,8mm**

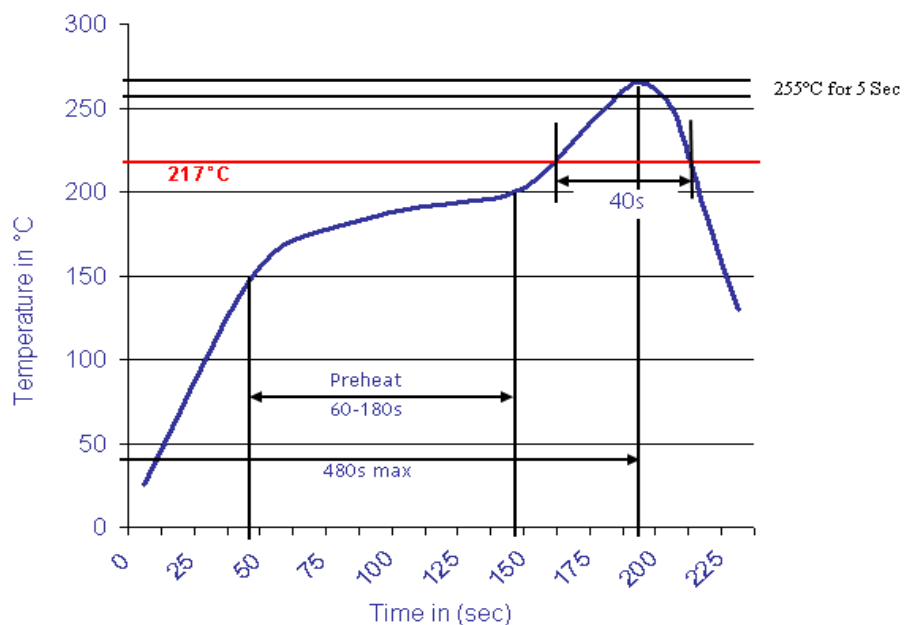
Part No.: **Q11110**

DRW:	Jason	CHKD	Wilson	MATL:	Wilson	TOLERANCE	Mason	DATE	17.09.2013
APPD:	Schumi			FINISH	Jamy		Sheet No.	2 from 3	Customer:



Soldering Profile for Lead Free Soldering

Classification Reflow Profile (JEDEC J-STD-020C)



**TACT SWITCH THT
7,8x7,8mm**

Part No.: **Q11110**

DRW:	Jason	CHKD	Wilson	MATL:	Wilson	TOLERANCE	Mason	DATE	17.09.2013
APPD:	Schumi			FINISH	Jamy		Sheet No.	3 from 3	Customer: