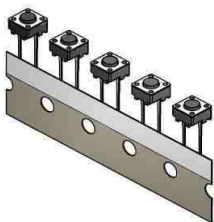


# EDCON-COMPONENTS



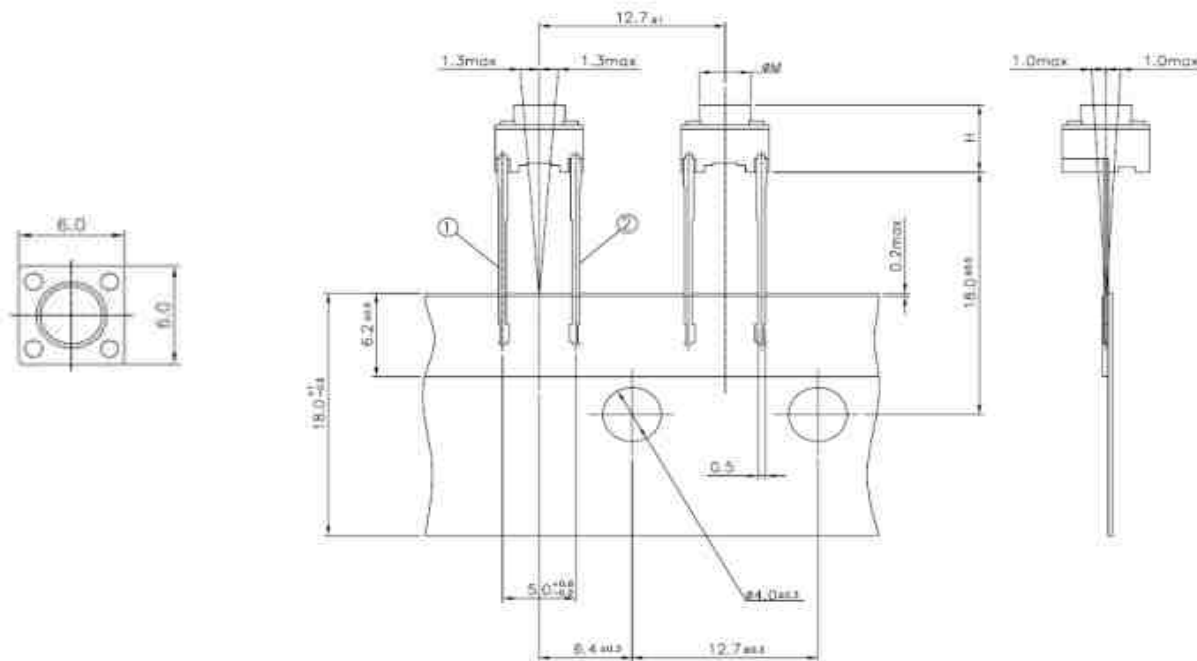
## SPECIFICATION:

Current Rating:	DC12V / 50mA
Insulator Resistance:	100 Mega $\Omega$ min.
Contact Resistance:	100 m $\Omega$ max.
Travel:	0,3 / +/- 0,1mm
Operating Temperature:	-.40°C to +105°C
Lifetime:	look order code
Operating Force:	look order code

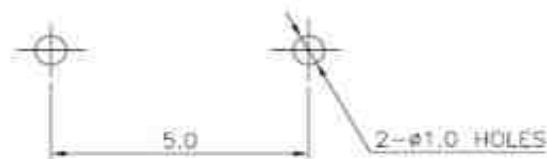
## Common Specifications

Life Test	50/80 Cycles / Min with 5VDC 5mA Resistive load Cycles of Operation: As per individual Specifications
Dry Heat Proof	80°C +/- 2°C for 96hours after Test Kept in Normal Condition for 30Min.
Moisture Resistance	60°C +/- 2°C 90~95% RH for 96 Hours After Test, Kept in Normal Condition for 30 Minutes
Cold Proof	-.30°C for 96 Hours After Test Kept in Normal Condition for 30 Minutes.
Operating Force	If refers to the maximum load at the time of switching over of the contacts. (Point A in the figure)
Travel	This refers to the state of repeating the contact opening or closing momentarily at the time of the changeover of the switch to ON or OFF. Longer duration of this state

## Drawing



## PCB Layout



## Circuit Diagramm



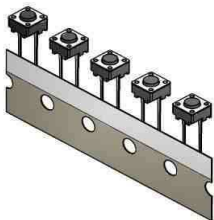
## THT TACT SWITCH

Part No.: **Q11052**

Customer:

DRW:	Jason	CHKD	Wilson	MATL:	Wilson	TOLERANCE	Mason	DATE	02.07.2009
APPD:	Schumi			FINISH	Jamy		Sheet No.	1 from 3	

# EDCON-COMPONENTS



## Ordering Informations

Serie	Total length look Table 1	Function	Operating Force	Function	Electrical life	Function	ROHS	Packing		
-------	------------------------------	----------	--------------------	----------	-----------------	----------	------	---------	--	--

<b>Q11052</b>	-	<b>043</b>	<b>N</b>	<b>101</b>	<b>N</b>	<b>803</b>	<b>N</b>	<b>R</b>	<b>TB102</b>	
		043= 4,3mm	N= No function	101 = 100gr	N= No function	803= 80000 cycles by 100gr. O-Force	N= No function	N= non ROHS	TB102= TAPE / BOX 1000PCS	
		050= 5,0mm		131 = 130gr		803= 80000 cycles by 130gr. O-Force		R= ROHS conform		
		070= 7,0mm		160 = 160gr		803= 80000 cycles by 160gr. O-Force				
		073= 7,3mm		251 = 250gr		503= 50000 cycles by 250gr. O-Force				
		080= 8,0mm		351 = 350gr		503= 50000 cycles by 350gr. O-Force				
		085= 8,5mm		501 = 500gr		303= 30000 cycles by 500gr. O-Force				
		097= 9,7mm								
		125= 12,5mm								
		130= 13,0mm								
		131= 13,0mm								

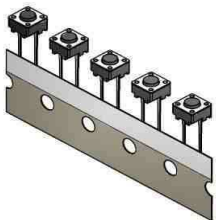
Table 1		
L- Code	H (mm)	M (mm)
043	4,3	3,4
050	5,0	3,4
070	7,0	3,4
080	8,0	3,4
073	7,3	3,3
125	12,5	3,3
130	13,0	3,3
097	9,7	2,8
085	8,5	3,2
130	13,0	2,8

### THT TACT SWITCH

Part No.: **Q11052**

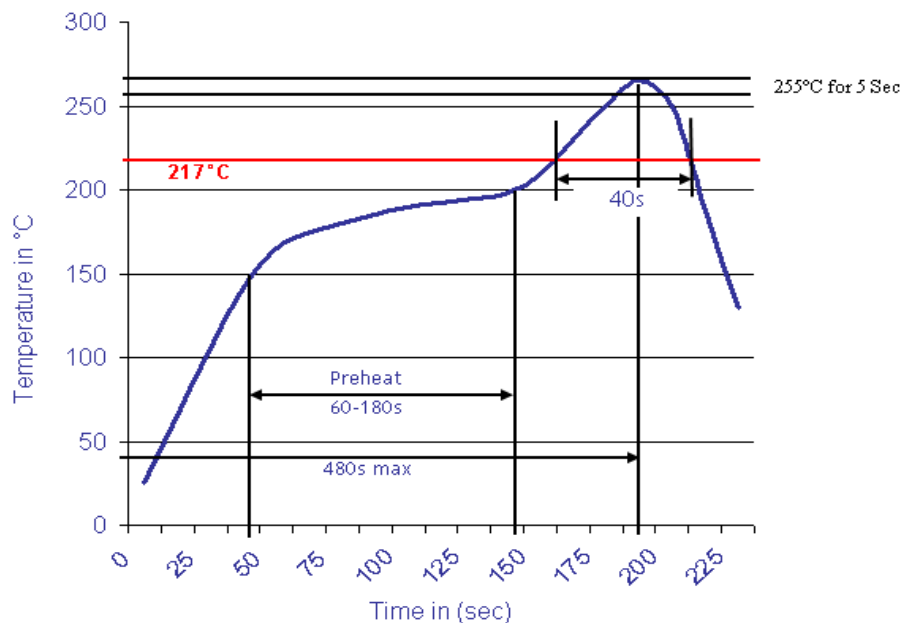
Customer:

DRW:	Jason	CHKD	Wilson	MATL:	Wilson	TOLERANCE	Mason	DATE	02.07.2009
APPD:	Schumi			FINISH	Jamy		Sheet No.		2 from 3



**Soldering Profile for Lead Free Soldering**

**Classification Reflow Profile (JEDEC J-STD-020C)**



**THT TACT SWITCH**

Part No.: **Q11052**

DRW:	Jason	CHKD	Wilson	MATL:	Wilson	TOLERANCE	Mason	DATE	02.07.2009
APPD:	Schumi			FINISH	Jamy		Sheet No.	3 from 3	Customer: