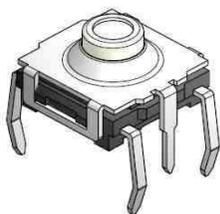


EDCON-COMPONENTS



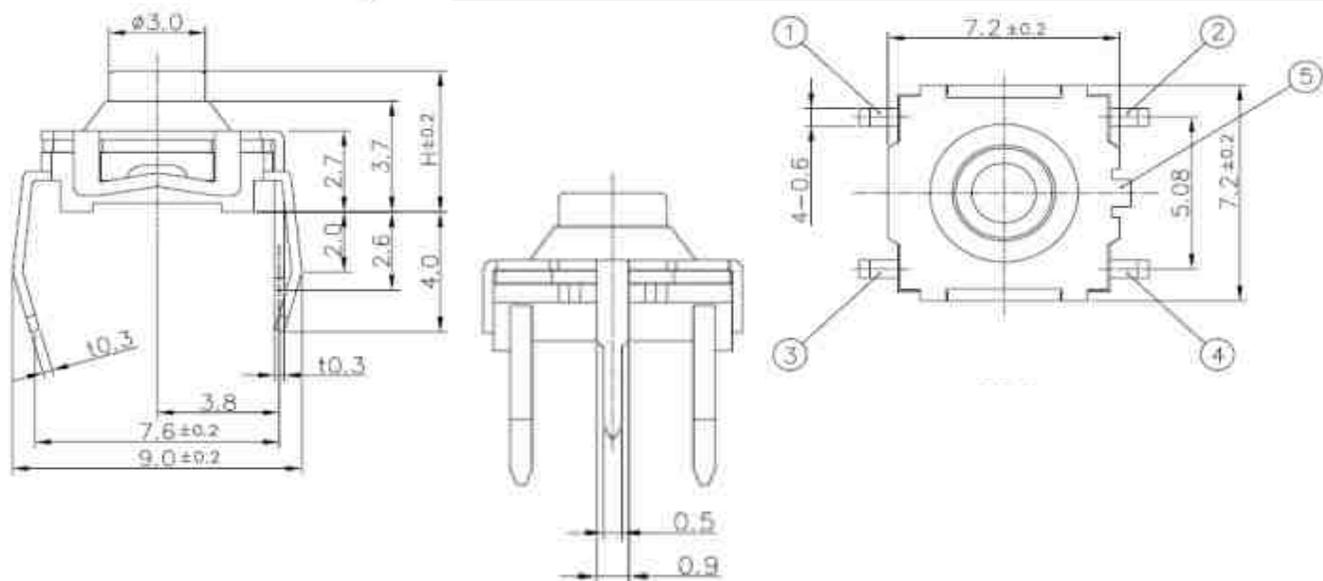
SPECIFICATION:

Current Rating:	DC12V / 50mA
Insulator Resistance:	100 Mega Ω min.
Contact Resistance:	100 m Ω max.
Travel:	0,25 / +/- 0,1mm
Operating Temperature:	-.40°C to +105°C
Lifetime:	look order code
Operating Force:	look order code

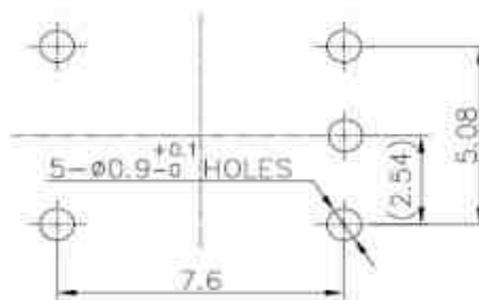
Common Specifications

Life Test	50/80 Cycles / Min with 5VDC 5mA Resistive load Cycles of Operation: As per individual Specifications
Dry Heat Proof	80°C +/- 2°C for 96hours after Test Kept in Normal Condition for 30Min.
Moisture Resistance	60°C +/- 2°C 90~95% RH for 96 Hours After Test, Kept in Normal Condition for 30 Minutes
Cold Proof	. 30°C for 96 Hours After Test Kept in Normal Condition for 30 Minutes.
Operating Force	If refers to the maximum load at the time of switching over of the contacts. (Point A in the figure)
Travel	This refers to the state of repeating the contact opening or closing momentarily at the time of the changeover of the switch to ON or OFF. Longer duration of this state

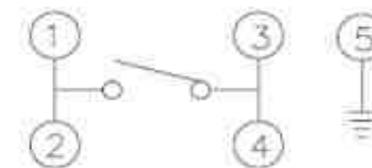
Drawing



PCB Layout



Circuit Diagram



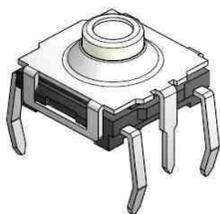
TACT SWITCH THT

Part No.: **Q11048**

Customer:

DRW:	Jason	CHKD	Wilson	MATL:	Wilson	TOLERANCE	Mason	DATE	02.07.2009
APPD:	Schumi			FINISH	Jamy		Sheet No.	1 from 3	

EDCON-COMPONENTS



Ordering Informations

Serie	Total length (L)	Function	Operating Force	Function	Electrical life	Function	ROHS	Packing		
Q11048	047	N	131	N	803	N	R	BU500		
	047= 4,7mm	N= No function	131 = 130gr	N= No function	803= 80000 cycles by 130gr. O-Force	N= No function	N= non ROHS	BU= Bulk Ware 500PCS		
	052= 5,2mm		161 = 160gr		803= 80000 cycles by 160gr. O-Force		R= ROHS conform	TU60= TUBE 60PCS		
	069= 6,9mm		301 = 300gr		503= 50000 cycles by 300gr. O-Force					
	100= 10,0mm		501 = 500gr		503= 50000 cycles by 500gr. O-Force					

TACT SWITCH THT

Part No.: **Q11048**

DRW:	Jason	CHKD	Wilson	MATL:	Wilson	TOLERANCE	Mason	DATE	02.07.2009
APPD:	Schumi			FINISH	Jamy		Sheet No.	2 from 3	Customer:

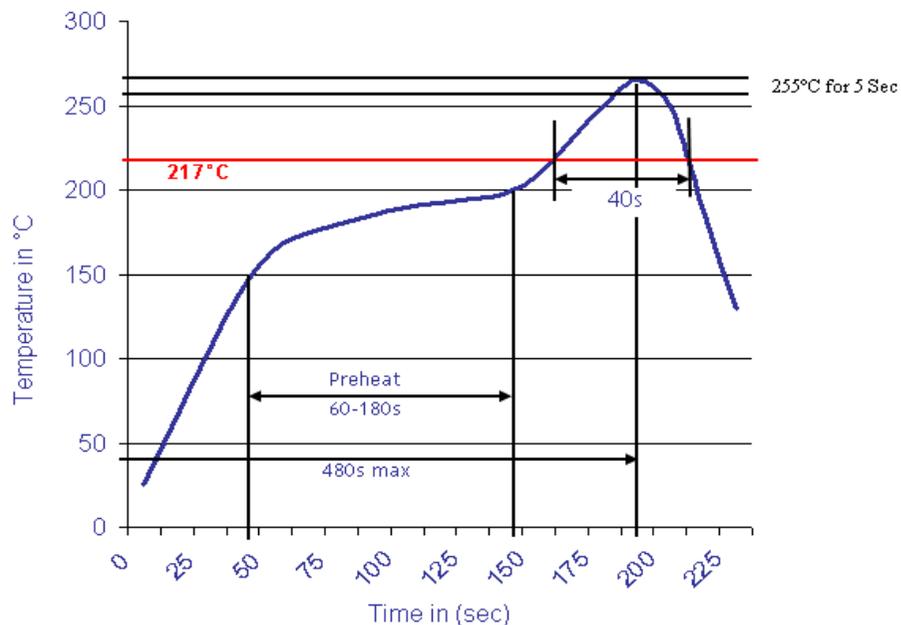
www.edcon-components.com

email: info@edcon-components.com



Soldering Profile for Lead Free Soldering

Classification Reflow Profile (JEDEC J-STD-020C)



TACT SWITCH THT

Part No.: **Q11048**

DRW:	Jason	CHKD	Wilson	MATL:	Wilson	TOLERANCE	Mason	DATE	02.07.2009
APPD:	Schumi			FINISH	Jamy		Sheet No.	3 from 3	Customer: