

™

# DAN222 DAP222

## Features

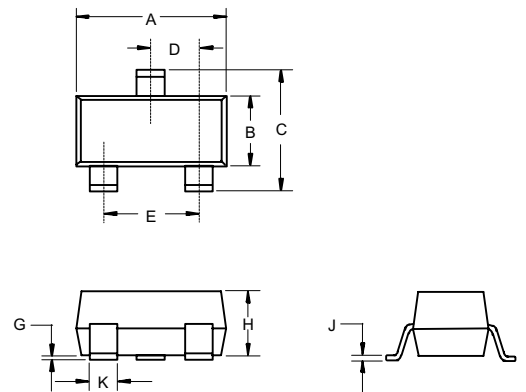
- High reliability
- High speed
- Case Material: Molded Plastic. UL Flammability Classification Rating 94V-0 and MSL Rating 1

**100 mA  
Switching Diode  
80 Volts**

## Maximum Ratings

Symbol	Parameter	Rating	Unit
$V_{RM}$	Peak Reverse Voltage	80	V
$I_F$	Forward Current	100	mA
$I_{FSM}$	Peak Forward Surge Current*	300	mA
$T_J$	Junction Temperature	-55 to +150	°C
$T_{STG}$	Storage Temperature	-55 to +150	°C

## SOT-523

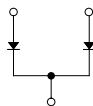


## Electrical Characteristics @ 25°C Unless Otherwise Specified

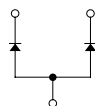
Symbol	Parameter	Min	Typ	Max	Units
<b>OFF CHARACTERISTICS</b>					
$V_F$	Forward Voltage ( $I_F=1\text{mA}_{dc}$ )	---	---	1.2	Vdc
$I_R$	Reverse Current ( $V_R=10\text{V}_{dc}$ )	---	---	0.1	$\mu\text{A}_{dc}$
$C_D$	Diode Capacitance ( $V_R=1\text{V}$ , $f=1\text{MHz}$ )	---	---	3.5	pF
$t_{rr}$	Reverse Recovery Time ( $V_R=1\text{V}$ , $I_F=5\text{mA}$ )	---	---	4	ns

DIM	DIMENSIONS				NOTE
	INCHES		MM		
	MIN	MAX	MIN	MAX	
A	.059	.067	1.50	1.70	
B	.030	.033	0.75	0.85	
C	.057	.069	1.45	1.75	
D	.020 Nominal		0.50 Nominal		
E	.035	.043	0.90	1.10	
G	.000	.004	.000	.100	
H	.028	.031	.70	0.80	
J	.004	.008	.100	.200	
K	.010	.014	.25	.35	

## Marking:



DAN222: N



DAP222: P

## Ordering Information

Device	Packing
(Part Number)-TP	Tape&Reel;3Kpcs/Reel