

TM

# BAV199

## Features

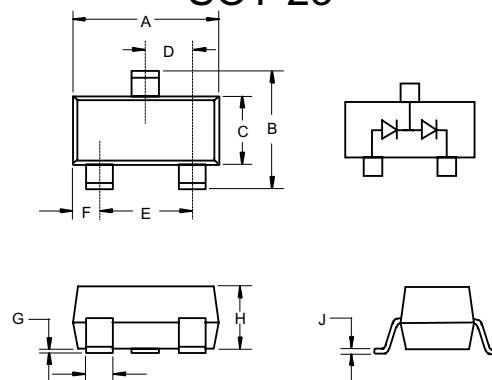
- Low Current Leakage
- Forward Current:  $I_F=215\text{mA}$ .
- Small Outline Surface Mount Package
- Case Material: Molded Plastic. UL Flammability Classification Rating 94V-0 and MSL Rating 1
- Marking: JY

## Dual Series Switching Diode

## Maximum Ratings

- Operating Temperature Range:  $-55^\circ\text{C}$  to  $+150^\circ\text{C}$
- Storage Temperature Range:  $-55^\circ\text{C}$  to  $+150^\circ\text{C}$

### SOT-23

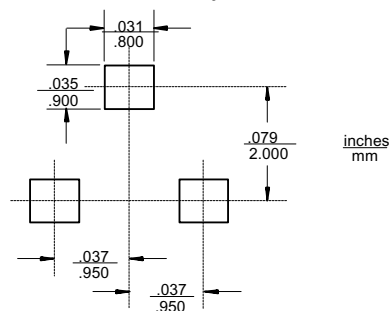


### Electrical Characteristics @ 25°C Unless Otherwise Specified

Symbol	Parameter	Min	Typ	Max	Units
$V_{(BR)R}$	Reverse Breakdown Voltage ( $I_R=100\ \mu\text{A}$ )	70	---	---	V
$V_F$	Forward Voltage $I_F=1.0\text{mA}$	---	---	0.90	V
	$I_F=10\text{mA}$	---	---	1.00	
	$I_F=50\text{mA}$	---	---	1.10	
	$I_F=150\text{mA}$	---	---	1.25	
$I_R$	leakage current ( $V_R=75\text{V}$ )	---	---	5.0	nA
$C_j$	Junction Capacitance ( $V_R=0$ , $f=1.0\text{MHz}$ )	---	---	2.0	pF
$t_{rr}$	Reverse recovery time	---	---	3.0	us

DIM	DIMENSIONS				NOTE
	INCHES		MM		
	MIN	MAX	MIN	MAX	
A	.110	.120	2.80	3.04	
B	.083	.098	2.10	2.64	
C	.047	.055	1.20	1.40	
D	.035	.041	.89	1.03	
E	.070	.081	1.78	2.05	
F	.018	.024	.45	.60	
G	.0005	.0039	.013	.100	
H	.035	.044	.89	1.12	
J	.003	.007	.085	.180	
K	.015	.020	.37	.51	

### Suggested Solder Pad Layout



# BAV199

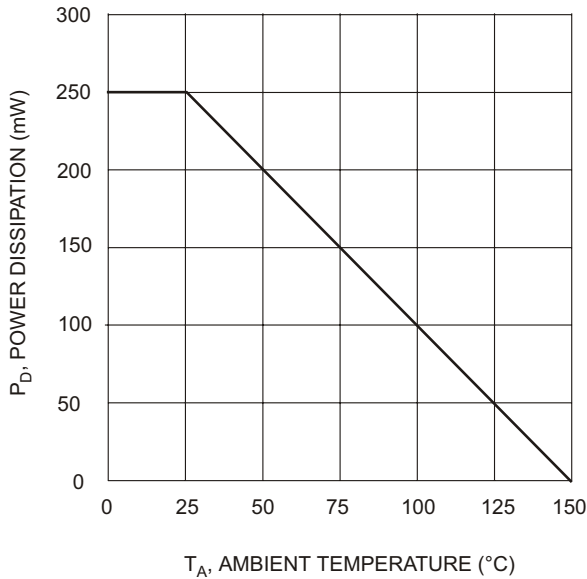


Fig. 1 Power Derating Curve

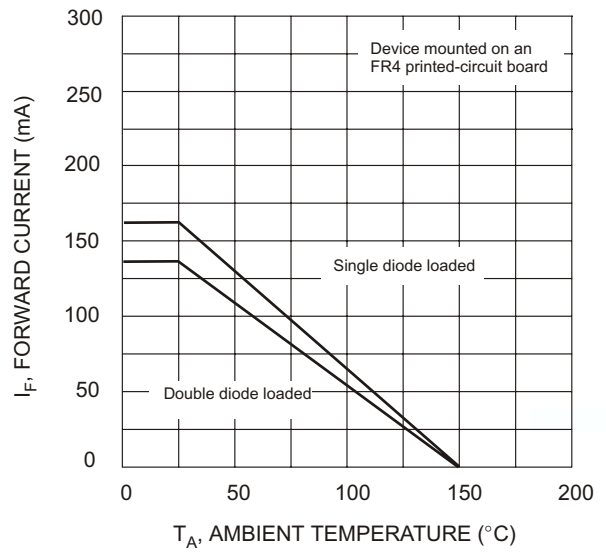


Fig. 2 Current Derating Curve

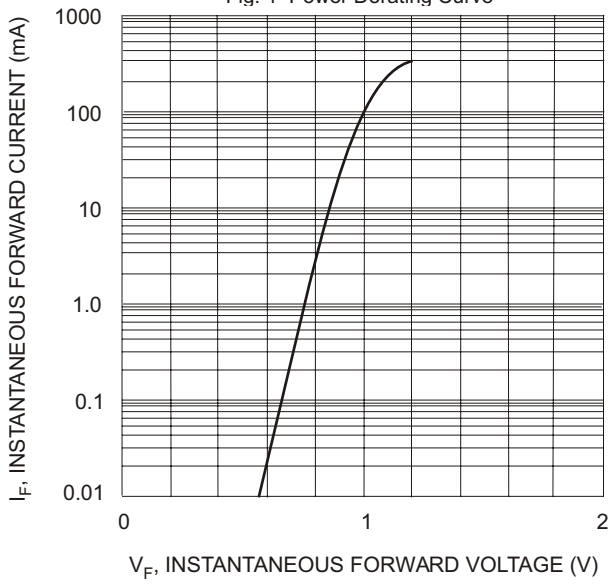


Fig. 3 Typical Forward Characteristics

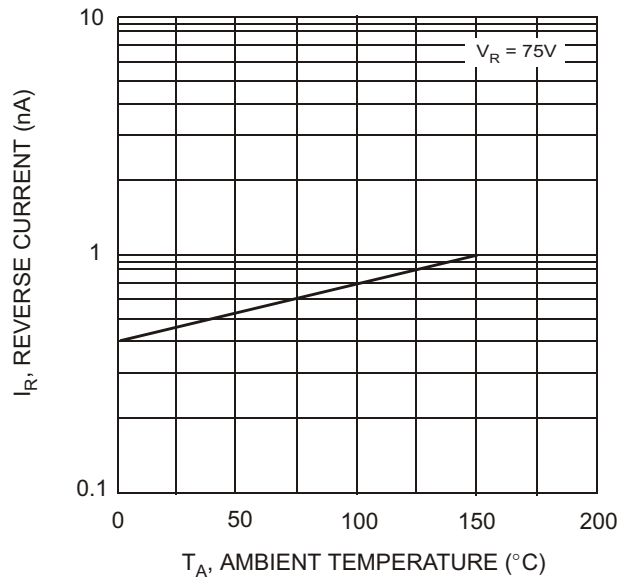


Fig. 4 Typical Reverse Characteristics

## Ordering Information

Device	Packing
(Part Number)-TP	Tape&Reel;3Kpcs/Reel