

TM

BAS116

Features

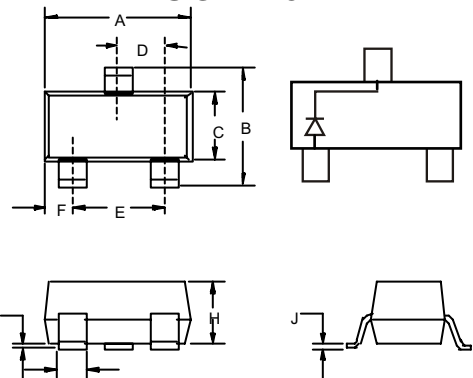
- Power dissipation: 225mW ($T_{amb}=25^{\circ}C$)
- Forward current:200mA
- Case Material: Molded Plastic. UL Flammability Classification Rating 94V-0 and MSL Rating 1
- Marking: JV

225mW Switching Diode

Maximum Ratings

- Operating Temperature: $-55^{\circ}C$ to $+150^{\circ}C$
- Storage Temperature: $-55^{\circ}C$ to $+150^{\circ}C$

SOT-23

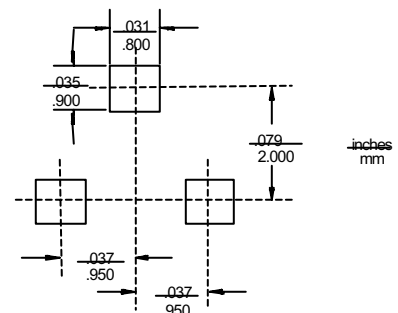


Electrical Characteristics @ 25°C Unless Otherwise Specified

Reverse Voltage	V_R	75V	$I_R=100 \mu A$
Maximum Instantaneous Forward Voltage	V_F	0.9V 1.0V 1.1V 1.25V	$I_{FM}=1mA$; $I_{FM}=10mA$; $I_{FM}=50mA$; $I_{FM}=150mA$;
Maximum DC Reverse Current At Rated DC Blocking Voltage	I_R	5.0nA	$V_R=75Volts$
Diode Capacitance	C_D	2pF	Measured at 1.0MHz, $V_R=0V$
Reverse Recovery Time	T_{rr}	3 μs	

DIM	DIMENSIONS				NOTE
	INCHES		MM		
A	.110	.120	2.80	3.04	
B	.083	.098	2.10	2.64	
C	.047	.055	1.20	1.40	
D	.035	.041	.89	1.03	
E	.070	.081	1.78	2.05	
F	.018	.024	.45	.60	
G	.0005	.0039	.013	.100	
H	.035	.044	.89	1.12	
J	.003	.007	.085	.180	
K	.015	.020	.37	.51	

Suggested Solder Pad Layout



Ordering Information

Device	Packing
(Part Number)-TP	Tape&Reel;3Kpcs/Reel