

™

BAS21WX

High Voltage Switching Diode

Features

- For Surface Mount Application.
- Device Marking: JS
- Case Material: Molded Plastic. UL Flammability Classification Rating 94V-0 and MSL Rating 1
- For Surface Mount Application.
- Lead Free Finish/RoHS Compliant("P" Suffix designates RoHS Compliant. See ordering information)

Maximum Ratings

Symbol	Rating	Value	Unit
V_R	Continuous Reverse Voltage	250	Vdc
I_F	Peak Forward Current	200	mAdc
$I_{FM(surge)}$	Peak Forward Surge Current	625	mAdc

Thermal Characteristics

Symbol	Characteristic	Max	Unit
P_D	Total Device Dissipation FR-5 Board *, $T_A=25^\circ\text{C}$ Derate above 25°C	200 1.57	mW mW/ $^\circ\text{C}$
R_{JA}	Thermal Resistance Junction to Ambient	635	$^\circ\text{C}/\text{W}$
T_J, T_{STG}	Junction and Storage Temperature Range	-55 to +155	$^\circ\text{C}$

Electrical Characteristics @ 25°C Unless Otherwise Specified

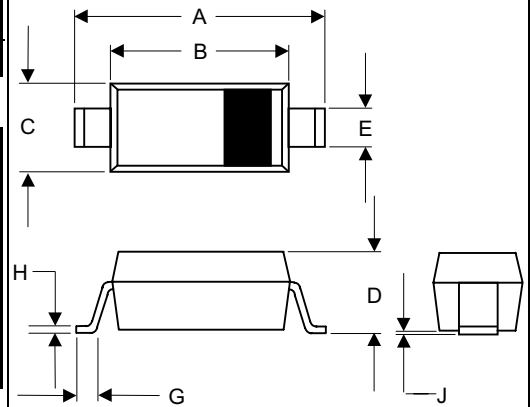
Symbol	Characteristic	Min	Max	Unit
--------	----------------	-----	-----	------

Off Characteristics

I_R	Reverse Voltage Leakage Current ($V_R=200\text{Vdc}$) ($V_R=200\text{Vdc}, T_J=150^\circ\text{C}$)	---	0.1 100	μAdc
$V_{(BR)}$	Reverse Breakdown Voltage ($I_{BR}=100\mu\text{Adc}$)	250	---	Vdc
V_F	Forward Voltage ($I_F=100\text{mAdc}$) ($I_F=200\text{mAdc}$)	---	1000 1250	mVdc
C_D	Diode Capacitance ($V_R=0, f=1.0\text{MHz}$)	---	5.0	pF
trr	Reverse Recovery Time ($I_F=I_R=30\text{mAdc}, R_L=100\text{OHM}$)	---	50	ns

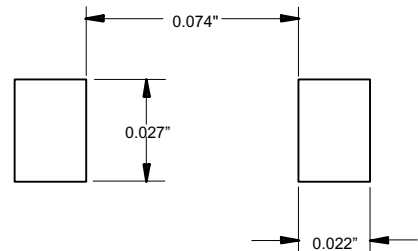
*FR-5 Minimum Pad

SOD-323



DIM	DIMENSIONS				NOTE
	INCHES		MM		
	MIN	MAX	MIN	MAX	
A	.090	.107	2.30	2.70	
B	.063	.071	1.60	1.80	
C	.045	.053	1.15	1.35	
D	.031	.045	0.80	1.15	
E	.010	.016	0.25	0.40	
G	.004	.018	0.10	0.45	
H	.004	.010	0.10	0.25	
J	-----	.006	-----	0.15	

SUGGESTED SOLDER PAD LAYOUT



Ordering Information

Device	Packing
(Part Number)-TP	Tape&Reel;3Kpcs/Reel