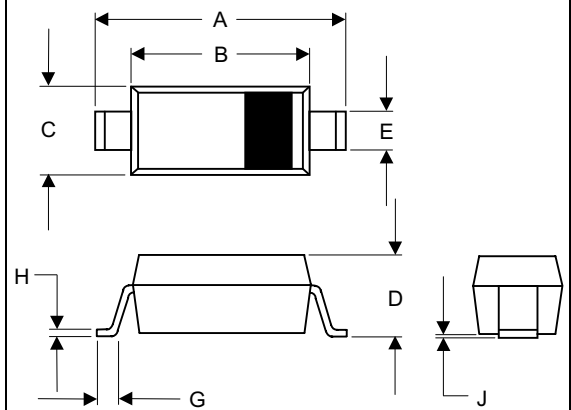


1SS404

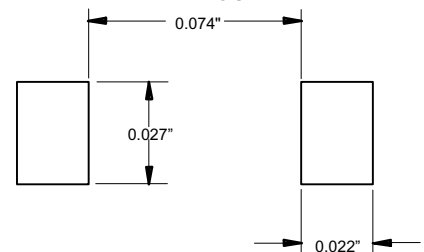
High Speed Switching Diode

SOD-323



DIM	DIMENSIONS				NOTE
	INCHES		MM		
	MIN	MAX	MIN	MAX	
A	.090	.107	2.30	2.70	
B	.063	.071	1.60	1.80	
C	.045	.053	1.15	1.35	
D	.031	.045	0.80	1.15	
E	.010	.016	0.25	0.40	
G	.004	.018	0.10	0.45	
H	.004	.010	0.10	0.25	
J	-----	.006	-----	0.15	

SUGGESTED SOLDER PAD LAYOUT



Features

- High speed switching diode
- Surface Mount
- Fast Reverse Recovery Time: $I_R=50\mu A(\text{max.})$
- Small Total Capacitance: $C_T=46\text{pF}(\text{typ.})$
- Lead Free Finish/RoHS Compliant ("P" Suffix designates RoHS Compliant. See ordering information)

Mechanical Data

- Marking: S51
- Polarity: Indicated by Cathode Band
- Case Material: Molded Plastic. UL Flammability Classification Rating 94V-0 and MSL Rating 1

Maximum Ratings @ 25°C Unless Otherwise Specified

Maximum (peak) Reverse Voltage	V_R	20	V
Reverse Voltage	V_{RM}	25	V
Maximum (peak) Forward Current	I_{FM}	700	mA
Average Forward Current	I_O	300	mA
Power Dissipation	$P_D^{(1)}$	200	mW
Junction Temperature	T_J	150	°C
Storage Temp. Range	T_{STG}	-55 to +150	°C

Electrical Characteristics @ 25°C Unless Otherwise Specified

Typical Forward Voltage	V_F	0.16V 0.22V 0.38V	$I_{FM} = 1.0\text{mA};$ $I_{FM} = 10\text{mA};$ $I_{FM} = 300\text{mA};$
Maximum Reverse Current	I_R	50 μA	$V_R=20\text{Volts}$ $T_J = 25^\circ\text{C}$
Typical Junction Capacitance	C_T	46pF	Measured at 1.0MHz, $V_R=0\text{V}$

Notes: 1. When mounted on a glass epoxy board PCB: 20mm x 20mm, with copper pad 4mm x 4mm.

Ordering Information

Device	Packing
(Part Number)-TP	Tape&Reel;3Kpcs/Reel
