

1SS400

Features

- High speed switching diode
- Small Surface Mount Type
- High Reliability with High Surge Current Handing Capability
- Case Material: Molded Plastic. UL Flammability Classification Rating 94V-0 and MSL Rating 1

90Volts High Speed Switching Diodes

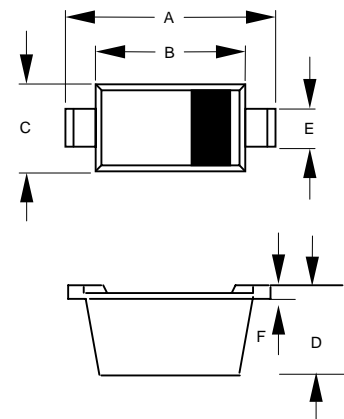
Mechanical Data

- Case: SOD-523
- Marking: A
- Lead Free Finish/RoHS Compliant ("P" Suffix designates RoHS Compliant. See ordering information)

Maximum Ratings @ 25°C Unless Otherwise Specified

Maximum RMS Voltage	V_R	80	V
Peak Reverse Voltage	V_{RM}	90	V
Average Forward Rectified Current	I_O	100	mA
Peak Forward Current	I_{FM}	225	mA
Surge Current(1S)	I_{surge}	500	mA
Storage Temperature Range	T_{STG}	-55 to +125	°C
Junction Temperature	T_j	125	°C

SOD-523



Electrical Characteristics @ 25°C Unless Otherwise Specified

Maximum Instantaneous Forward Voltage	V_F	1.20V	$I_{FM} = 100\text{mA}; T_J = 25^\circ\text{C}$
Maximum Average Reverse Current	I_R	0.1uA	$V_R=80\text{Volts}; T_J = 25^\circ\text{C}$
Capacitance between Terminals	C_T	3.0pF	Measured at 1.0MHz, $V_R=0.5\text{V}$
Reverse Recovery Time	T_{rr}	4nS	$I_F=10\text{mA}; V_R = 6\text{V}, R_L=100 \Omega$

DIM	DIMENSIONS		NOTE
	INCHES	MM	
A	.063	1.60	
B	.472	1.20	
C	.032	0.80	
D	.026	0.65	
E	.012	0.30	
F	.004	0.10	

Ordering Information

Device	Packing
(Part Number)-TP	Tape&Reel;3Kpcs/Reel

