

1SS355

90 Volt Switching Diode

Features

- High speed switching diode
- Surface Mount
- For general purpose switching applications

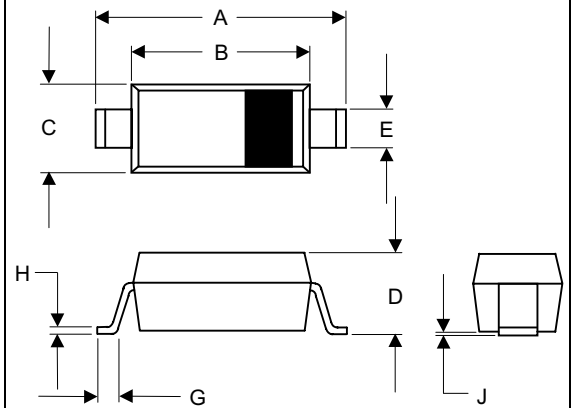
Mechanical Data

- Marking: A
- Polarity: Indicated by Cathode Band
- Case Material: Molded Plastic. UL Flammability

Maximum Ratings @ 25°C Unless Otherwise Specified

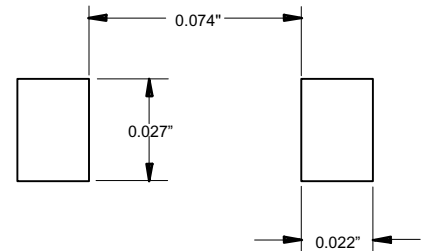
Maximum RMS Voltage	V_R	63	V
Maximum Recurrent Peak Reverse Voltage	V_{RM}	90	V
Maximum DC Blocking	V_{DC}	80	V
Maximum Average Forward Rectified Current	I_O	0.1	A
Peak Forward Surge Current	I_{FSM}	0.5	A
Operation/Storage Temp. Range	T_J, T_{STG}	-55 to +150	°C

SOD-323



DIM	DIMENSIONS				NOTE
	INCHES		MM		
	MIN	MAX	MIN	MAX	
A	.090	.107	2.30	2.70	
B	.063	.071	1.60	1.80	
C	.045	.053	1.15	1.35	
D	.031	.045	0.80	1.15	
E	.010	.016	0.25	0.40	
G	.004	.018	0.10	0.45	
H	.004	.010	0.10	0.25	
J	-----	.006	-----	0.15	

SUGGESTED SOLDER PAD LAYOUT



Electrical Characteristics @ 25°C Unless Otherwise Specified

Maximum Instantaneous Forward Voltage	V_F	1.20V	$I_{FM} = 100mA;$ $T_J = 25^\circ C$
Maximum Average Reverse Current	I_R	0.1uA	$V_R = 80Volts$ $T_J = 25^\circ C$
Typical Junction Capacitance	C_J	3.0pF	Measured at 1.0MHz, $V_R = 6.0V$
Reverse Recovery Time	T_{rr}	4nS	$I_F = 10mA$ $V_R = 6V$

Ordering Information

Device	Packing
(Part Number)-TP	Tape&Reel;3Kpcs/Reel