

1SS226

150mW SWITCHING DIODE

Features

- Low Current Leakage.
- Surface Mount SOT-23 Package
- Case Material: Molded Plastic. UL Flammability Classification Rating 94V-0 and MSL Rating 1

Maximum Ratings

- Operating Temperature: -55°C to +125°C
- Storage Temperature: -55°C to +150°C
- 150mW Power dissipation.
- Marking:C3

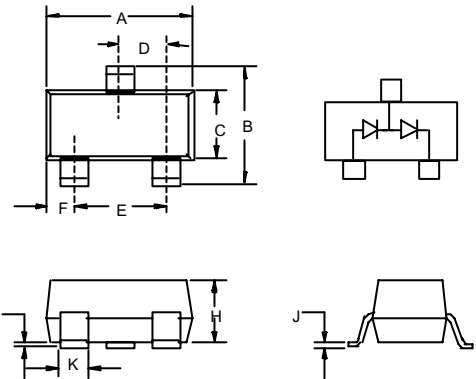
Maximum Ratings

Reverse Breakdown Voltage	V_R	80V
Average Forward Current	I_o	100mA
Maximum Forward Current	I_{FM}	300mA
Total Power Dissipation @ $T_A = 25^\circ\text{C}$	P_D	150mW
Storage Temperature Range	T_{stg}	-55°C to 150°C
Junction Temperature	T_j	125°C

Electrical Characteristics @ 25°C Unless Otherwise Specified

Ratings	Symbol	Max.	Notes
Forward Voltage at $I_F=10\text{mA}$ $I_F=10\text{mA}$ $I_F=100\text{mA}$		715mV 855mV 1200mV	
Reverse Current	I_R	25nA 0.5uA	$V_R=20\text{V}$ $V_R = 80\text{V}$
Reverse Breakdown Voltage	$V_{(BR)}$	80V(min)	$I_R=100 \text{ uA}$
Capacitance	C_J	3pF	Measured at 1.0MHz, $V_R=0\text{V}$
Reverse Recovery Time	t_{rr}	4ns	

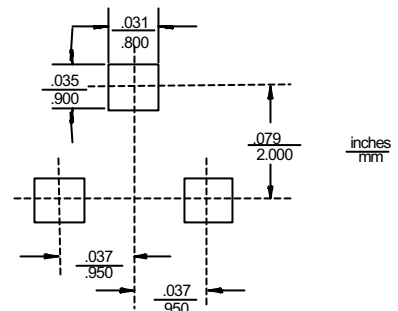
SOT-23



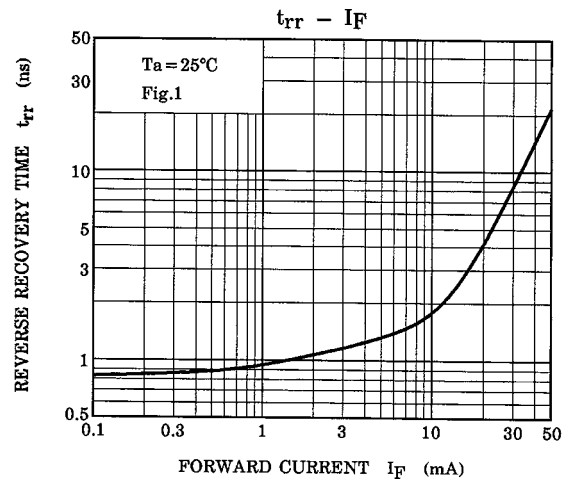
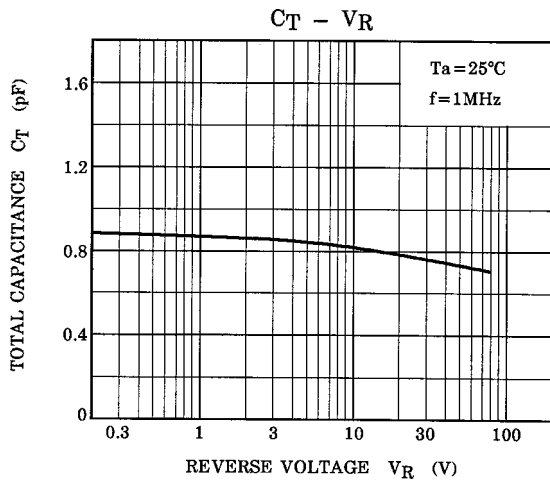
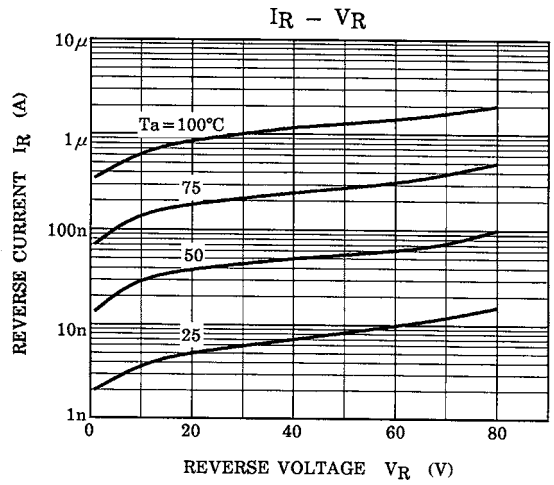
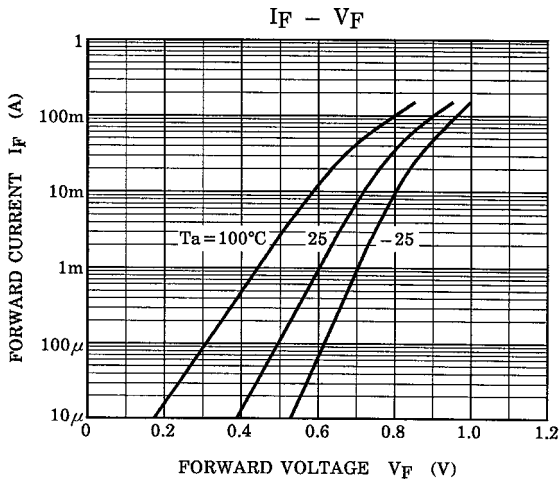
DIMENSIONS

DIM	INCHES		MM		NOTE
	MIN	MAX	MIN	MAX	
A	.110	.120	2.80	3.04	
B	.083	.098	2.10	2.64	
C	.047	.055	1.20	1.40	
D	.035	.041	.89	1.03	
E	.070	.081	1.78	2.05	
F	.018	.024	.45	.60	
G	.0005	.0039	.013	.100	
H	.035	.044	.89	1.12	
J	.003	.007	.085	.180	
K	.015	.020	.37	.51	

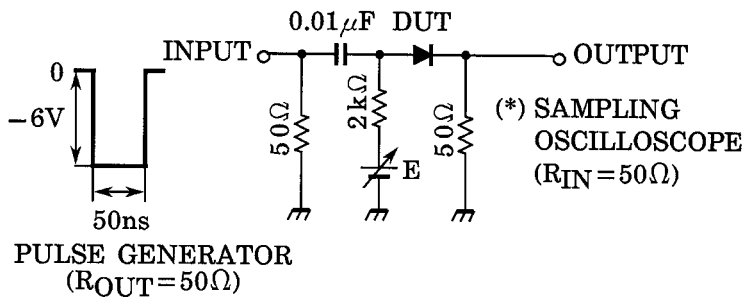
Suggested Solder Pad Layout



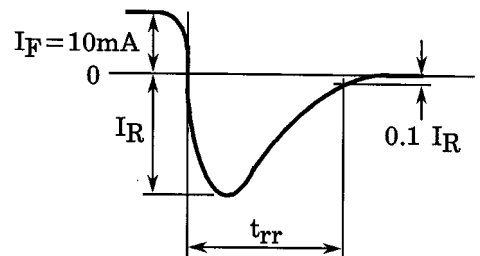
1SS226



INPUT WAVEFORM



OUTPUT WAVEFORM



Ordering Information

Device	Packing
(Part Number)-TP	Tape&Reel;3Kpcs/Reel
