

1SS196

Features

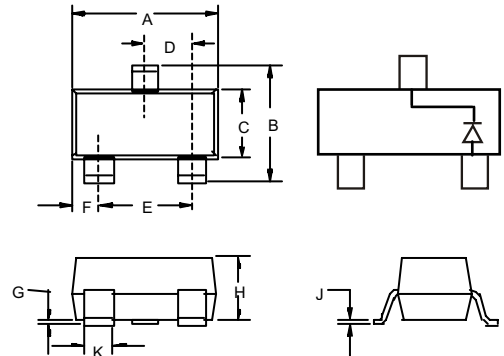
- Low Leakage Current
- Surface Mount SOT-23 Package
- Case Material: Molded Plastic. UL Flammability Classification Rating 94V-0
- Marking Code : G3

150mW Switching Diodes

Maximum Ratings

Reverse Voltage	V_R	80V
Forward Current	I_F	100mA
Power Dissipation @ $T_A=25^\circ\text{C}$	P_D	150mW
Storage Temperature Range	T_{stg}	-55°C to $+150^\circ\text{C}$
Junction Temperature	T_j	150°C

SOT-23

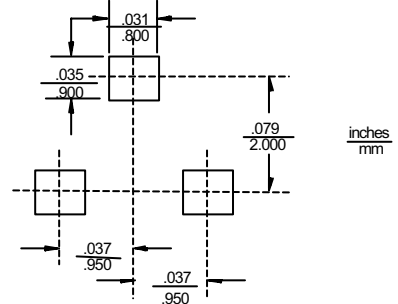


Electrical Characteristics @ 25°C Unless Otherwise Specified

Reverse Voltage	V_R	80V	
Minimum Reverse Breakdown Voltage	$V_{(BR)}$	80V	$I_R=100\mu\text{A}$ $T_A = 25^\circ\text{C}$
Maximum Forward Voltage	V_F	1.2V	$T_A= 25^\circ\text{C}$ $I_F = 100\text{mA}$;
Maximum Reverse Voltage Leakage Current	I_R	0.5uA	$V_R=80\text{Volts}$ $T_A = 25^\circ\text{C}$
Maximum Diode Capacitance	C_D	3.0pF	Measured at $f=1.0\text{MHz}$, $V_R=0$
Maximum Reverse Recovery Time	t_{rr}	4.0ns	

DIM	DIMENSIONS				NOTE
	INCHES		MM		
A	.110	.120	2.80	3.04	
B	.083	.098	2.10	2.64	
C	.047	.055	1.20	1.40	
D	.035	.041	.89	1.03	
E	.070	.081	1.78	2.05	
F	.018	.024	.45	.60	
G	.0005	.0039	.013	.100	
H	.035	.044	.89	1.12	
J	.003	.007	.085	.180	
K	.015	.020	.37	.51	

Suggested Solder Pad Layout



1SS196

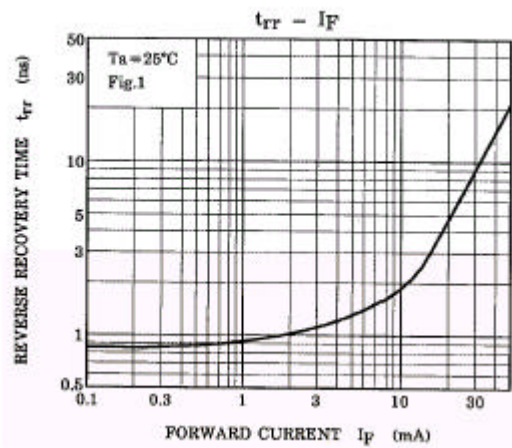
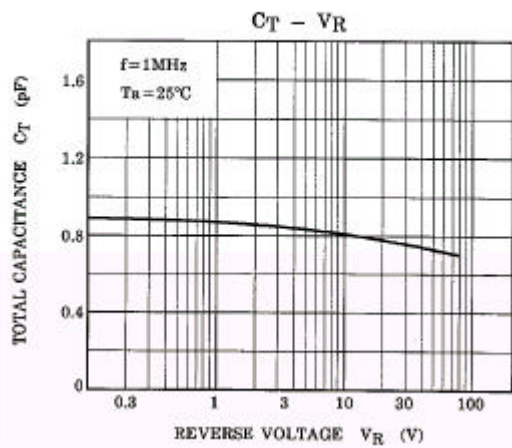
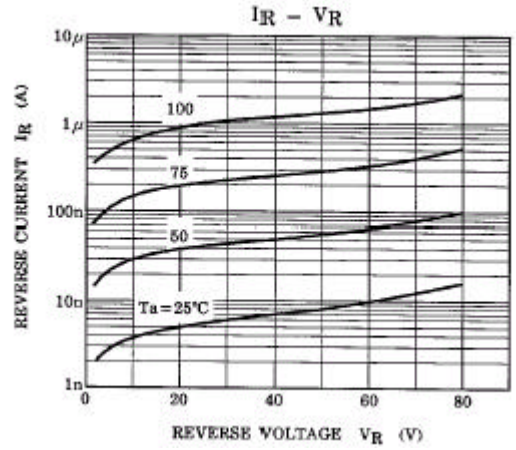
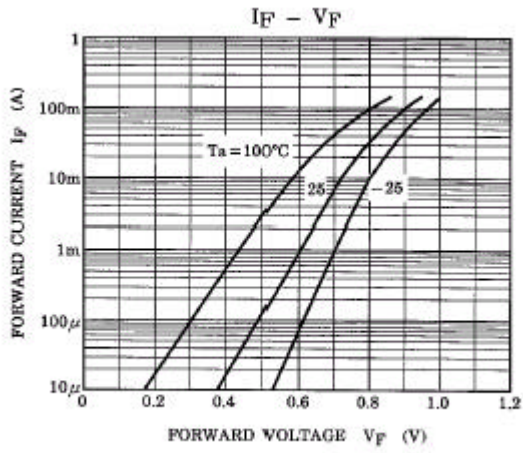
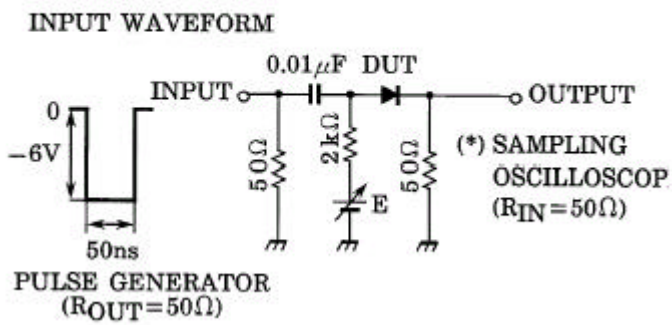
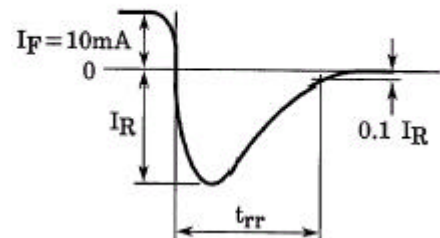


Fig.1 Reverse recovery time (t_{rr}) test circuit



OUTPUT WAVEFORM



Ordering Information

Device	Packing
(Part Number)-TP	Tape&Reel;3Kpcs/Reel