

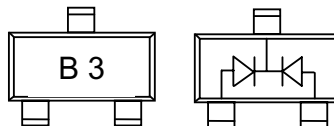
M

M

1SS184

Features

- Low Forward Voltage
- Low Leakage Current
- Surface Mount SOT-23 Package
- Case Material: Molded Plastic. UL Flammability Classification Rating 94V-0
- MSL Rating 1



150mW High Speed Switching Diodes 80 Volt

Maximum Ratings

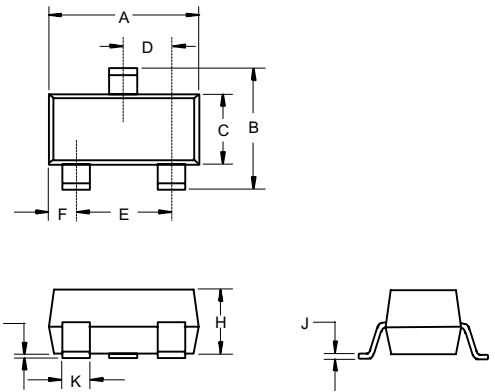
Parameter	Symbol	Rating	Unit
Non-Repetitive Peak Reverse Voltage	V_{RM}	85	V
Reverse Voltage	V_R	80	V
Average Rectified Output Current	I_O	100	mA
Forward Continuous Current	I_{FM}	300	mA
Power Dissipation @ $T_A=25^\circ\text{C}$	P_D	150	mW
Storage Temperature Range	T_{stg}	-55 to +125	$^\circ\text{C}$
Junction Temperature	T_j	125	$^\circ\text{C}$

Electrical Characteristics @ 25°C Unless Otherwise Specified

Parameter	Symbol	Min.	Typ.	Max.	Unit
Minimum Reverse Breakdown Voltage ($I_R=100\mu\text{A}$)	$V_{(BR)}$	80	---	---	V
Maximum Forward Voltage ($I_F = 1\text{mA}$) ($I_F = 10\text{mA}$) ($I_F = 100\text{mA}$)	V_F	---	0.60 0.72 0.90	---	V
Maximum Reverse Voltage Leakage Current ($V_R=30\text{V}$) ($V_R=80\text{V}$)	I_R	---	---	0.1 0.5	μA
Capacitance between Terminals*	C_T	---	0.9	3.0	pF
Maximum Reverse Recovery Time ($I_F = I_R=10\text{mA}$, $I_{rr}=0.1 \times I_R$)	t_{rr}	---	1.6	4.0	ns

* Measured at $f=1.0\text{MHz}$, $V_R=0$

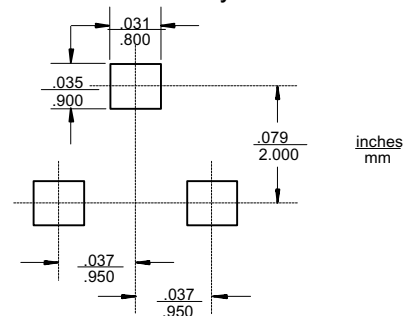
SOT-23

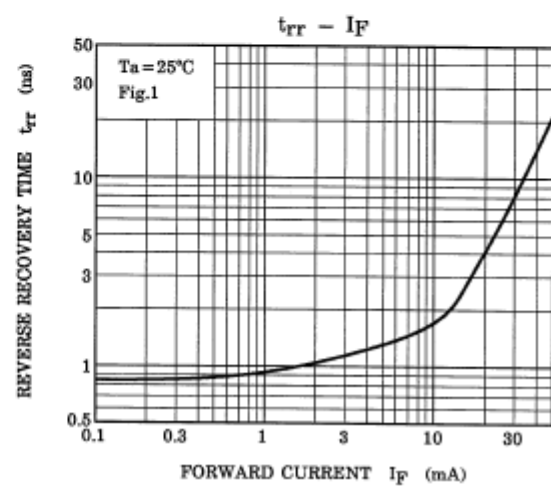
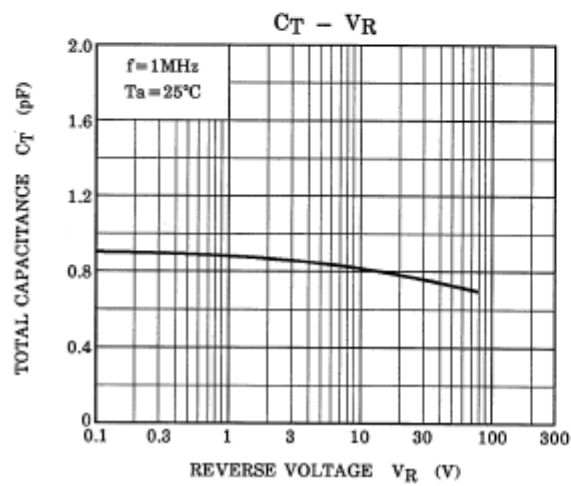
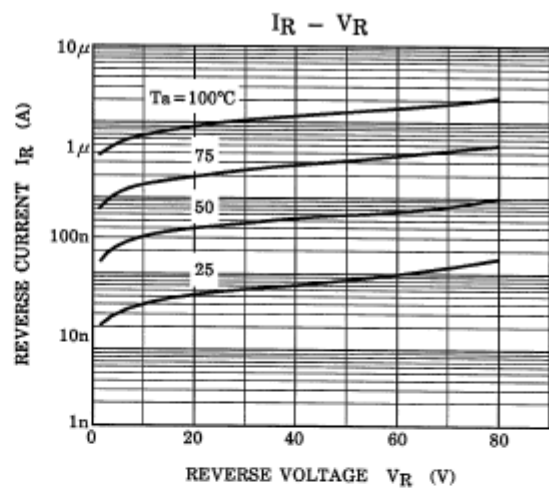
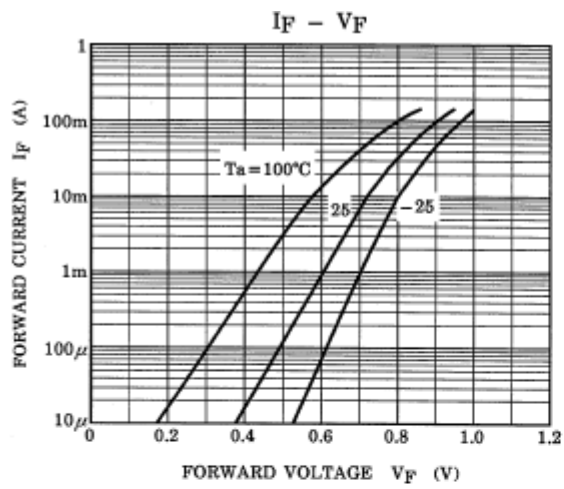


DIMENSIONS

DIM	INCHES		MM		NOTE
	MIN	MAX	MIN	MAX	
A	.110	.120	2.80	3.04	
B	.083	.098	2.10	2.64	
C	.047	.055	1.20	1.40	
D	.035	.041	.89	1.03	
E	.070	.081	1.78	2.05	
F	.018	.024	.45	.60	
G	.0005	.0039	.013	.100	
H	.035	.044	.89	1.12	
J	.003	.007	.085	.180	
K	.015	.020	.37	.51	

Suggested Solder Pad Layout





Ordering Information

Device	Packing
(Part Number)-TP	Tape&Reel;3Kpcs/Reel