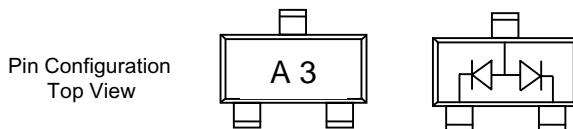


# 1SS181

## Features

- Low Forward Voltage
- Low Leakage Current
- Surface Mount SOT-23 Package
- Case Material: Molded Plastic. UL Flammability Classification Rating 94V-0 and MSL Rating 1



## Maximum Ratings

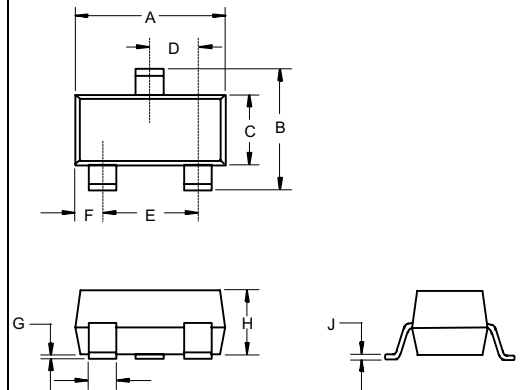
Reverse Voltage	$V_R$	80V
Forward Current	$I_F$	100mA
Surge Current (10ms)	$I_{FSM}$	2.0A
Power Dissipation @ $T_A=25^\circ\text{C}$	$P_D$	150mW
Storage Temperature Range	$T_{stg}$	$-55^\circ\text{C}$ to $+150^\circ\text{C}$
Junction Temperature	$T_j$	$150^\circ\text{C}$

## Electrical Characteristics @ $25^\circ\text{C}$ Unless Otherwise Specified

Minimum Reverse Breakdown Voltage	$V_{(BR)}$	80V	$I_R=100\mu\text{A}$ $T_A = 25^\circ\text{C}$
Maximum Forward Voltage	$V_F$	1.2V	$I_F = 100\text{mA};$ $T_A= 25^\circ\text{C}$
Maximum Reverse Voltage Leakage Current	$I_R$	$0.5\mu\text{A}$	$V_R=80\text{Volts}$ $T_A = 25^\circ\text{C}$
Maximum Diode Capacitance	$C_D$	$4.0\text{pF}$	Measured at $f=1.0\text{MHz}, V_R=0$
Maximum Reverse Recovery Time	$t_{rr}$	$4.0\text{ns}$	$I_F = 10\text{mA}$

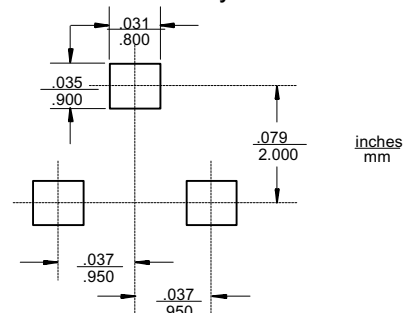
## 150mW High Speed Switching Diodes 80 Volt

### SOT-23



DIM	INCHES		MM		NOTE
	MIN	MAX	MIN	MAX	
A	.110	.120	2.80	3.04	
B	.083	.098	2.10	2.64	
C	.047	.055	1.20	1.40	
D	.035	.041	.89	1.03	
E	.070	.081	1.78	2.05	
F	.018	.024	.45	.60	
G	.0005	.0039	.013	.100	
H	.035	.044	.89	1.12	
J	.003	.007	.085	.180	
K	.015	.020	.37	.51	

### Suggested Solder Pad Layout



## Ordering Information

Device	Packing
(Part Number)-TP	Tape&Reel;3Kpcs/Reel