

TM

RB751V-40

Features

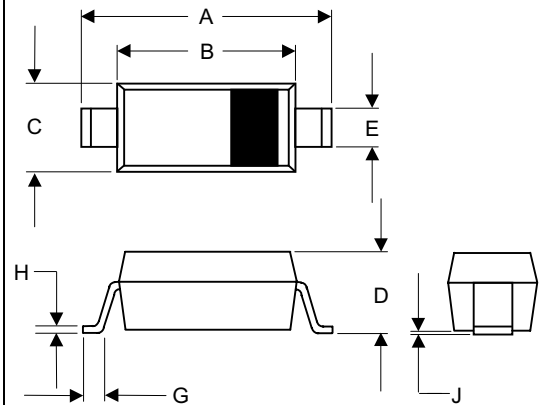
- Low Voltage, Low Inductance
- High Current Rectifier Schottky Diode
- For Power Supply
- Case Material: Molded Plastic. UL Flammability Classificatio Rating 94-0 and MSL Rating 1
- Lead Free Finish/RoHS Compliant("P" Suffix designates RoHS Compliant. See ordering information)
- Marking: 3J/5

40 Volts Schottky Barrier Diode

Maximum Ratings

Symbol	Rating	Rating	Unit
V_{RM}	Peak Reverse Voltage	40	V
V_R	DC Reverse Voltage	30	V
I_O	Mean Rectifying Current	30	mA
I_{FSM}	Peak Forward Surge Current	200	mA
T_J	Junction Temperature	125	°C
T_{STG}	Storage Temperature	-40 to +125	°C

SOD-323

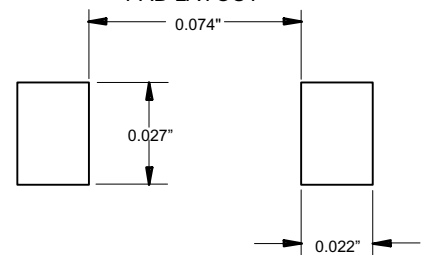


Electrical Characteristics @ 25°C Unless Otherwise Specified

Symbol	Parameter	Min	Typ	Max	Units
OFF CHARACTERISTICS					
V_F	Forward Voltage ($I_F=1mA_{dc}$)	---	---	0.37	Vdc
I_R	Reverse Current ($V_R=30V_{dc}$)	---	---	0.5	μA_{dc}
C_T	Capacitance between Terminals ($V_R=1V, f=1MHz$)	---	2	---	pF

DIM	INCHES		MM		NOTE
	MIN	MAX	MIN	MAX	
A	.090	.107	2.30	2.70	
B	.063	.071	1.60	1.80	
C	.045	.053	1.15	1.35	
D	.031	.045	0.80	1.15	
E	.010	.016	0.25	0.40	
G	.004	.018	0.10	0.45	
H	.004	.010	0.10	0.25	
J	-----	.006	-----	0.15	

SUGGESTED SOLDER PAD LAYOUT



Ordering Information

Device	Packing
(Part Number)-TP	Tape&Reel;3Kpcs/Reel

■

■

■

■
