

™

RB751S-40

Features

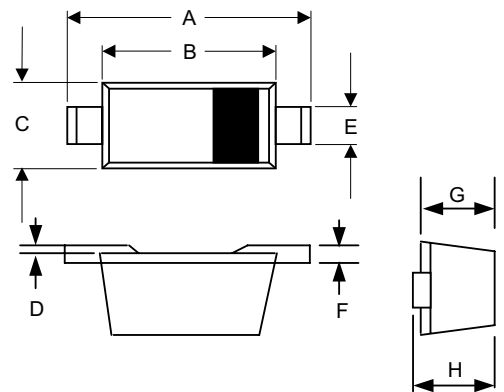
- Low Voltage, Low Inductance
- High Current Rectifier Schottky Diode
- For Power Supply
- Case Material: Molded Plastic. UL Flammability Classification Rating 94V-0 and MSL Rating 1
- Lead Free Finish/RoHS Compliant ("P" Suffix designates RoHS Compliant. See ordering information)
- Marking: 5

40 Volts Schottky Barrier Diode

Maximum Ratings

Symbol	Rating	Rating	Unit
V_{RM}	Peak Reverse Voltage	40	V
V_R	DC Reverse Voltage	30	V
I_O	Mean Rectifying Current	30	mA
I_{FSM}	Peak Forward Surge Current	200	mA
T_J	Junction Temperature	125	°C
T_{STG}	Storage Temperature	-55 to +125	°C

SOD-523



Electrical Characteristics @ 25°C Unless Otherwise Specified

Symbol	Parameter	Min	Typ	Max	Units
OFF CHARACTERISTICS					
V_F	Forward Voltage ($I_F=1\text{mA}_{dc}$)	---	---	0.37	Vdc
I_R	Reverse Current ($V_R=30\text{V}_{dc}$)	---	---	0.5	μA_{dc}
C_T	Capacitance between Terminals ($V_R=1\text{V}$, $f=1\text{MHz}$)	---	2	---	pF

DIM	DIMENSIONS				NOTE
	INCHES		MM		
	MIN	MAX	MIN	MAX	
A	.059	.067	1.50	1.70	
B	.043	.051	1.10	1.30	
C	.030	.033	0.75	0.85	
D	.001	.003	0.01	0.07	
E	.010	.014	0.25	0.35	
F	.003	.003	0.08	0.15	
G	.020	.028	0.50	0.70	
H	.020	.031	0.51	0.78	

RB751S-40

●Electrical characteristic curves (Ta = 25°C)

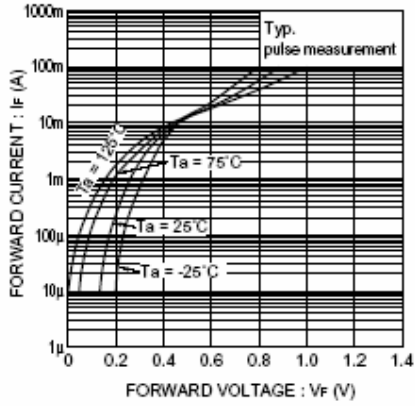


Fig. 1 Forward characteristics

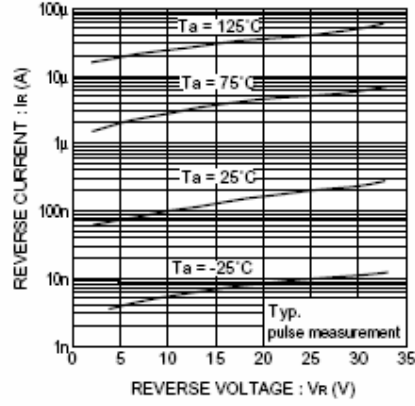


Fig. 2 Reverse characteristics

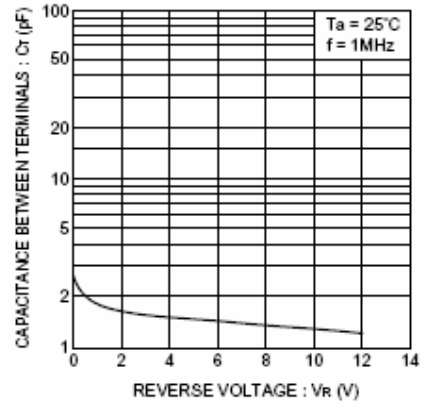


Fig. 3 Capacitance between terminals characteristics

Ordering Information

Device	Packing
(Part Number)-TP	Tape&Reel;3Kpcs/Reel

■

■

■

■

