

TM

# RB551V-30

## Features

- Marking: D
- High Current Rectifier Schottky Diode
- Low Voltage, Low Inductance
- For Power Supply
- Case Material: Molded Plastic. UL Flammability Classificatio Rating 94-0 and MSL Rating 1
- Lead Free Finish/RoHS Compliant("P" Suffix designates RoHS Compliant. See ordering information)

## Maximum Ratings

Symbol	Rating	Rating	Unit
$V_{RM}$	Peak Reverse Voltage	30	V
$V_R$	DC Reverse Voltage	20	V
$I_O$	Mean Rectifying Current	500	mA
$I_{FSM}$	Peak Forward Surge Current*	2	A
$T_J$	Junction Temperature	125	°C
$T_{STG}$	Storage Temperature	-40 to +125	°C

## Electrical Characteristics @ 25°C Unless Otherwise Specified

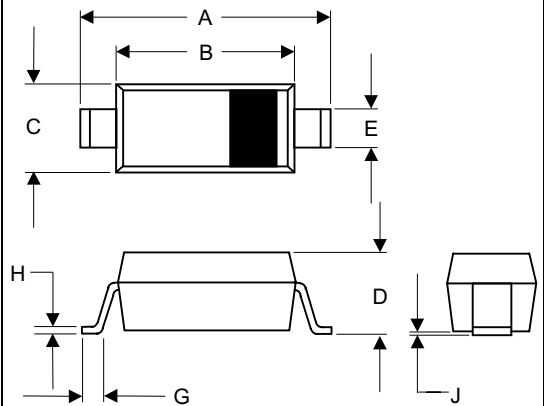
Symbol	Parameter	Min	Typ	Max	Units
--------	-----------	-----	-----	-----	-------

### OFF CHARACTERISTICS

$V_F$	Forward Voltage ( $I_F=100\text{mAdc}$ ) ( $I_F=500\text{mAdc}$ )	---	---	0.36 0.47	Vdc
$I_R$	Reverse Current ( $V_R=20\text{Vdc}$ )	---	---	100	uAdc

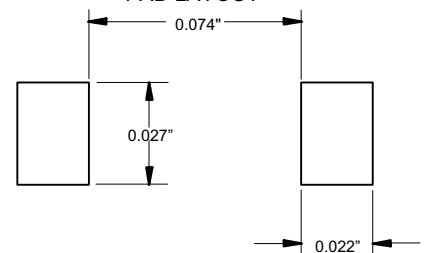
**500 mA**  
**Schottky Barrier Diode**  
**30 Volts**

## SOD-323



DIM	DIMENSIONS				NOTE
	INCHES		MM		
	MIN	MAX	MIN	MAX	
A	.090	.107	2.30	2.70	
B	.063	.071	1.60	1.80	
C	.045	.053	1.15	1.35	
D	.031	.045	0.80	1.15	
E	.010	.016	0.25	0.40	
G	.004	.018	0.10	0.45	
H	.004	.010	0.10	0.25	
J	-----	.006	-----	0.15	

### SUGGESTED SOLDER PAD LAYOUT



## Ordering Information

Device	Packing
(Part Number)-TP	Tape&Reel;3Kpcs/Reel

■

■

■

■

---