

TM

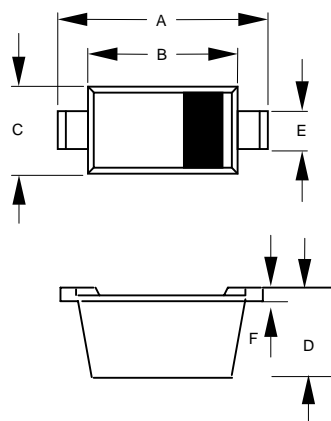
RB520S-30

Features

- Case Material: Molded Plastic. UL Flammability Classificatio Rating 94-0 and MSL Rating 1
- High Reliability
- Low Reverse Current and Low Forward Voltage.
- Small Surface Mount Type
- Marking : B
- Lead Free Finish/RoHS Compliant ("P" Suffix designates RoHS Compliant. See ordering information)

200 mA
Schottky Barrier Diode
30 Volts

SOD-523



Maximum Ratings

Symbol	Rating	Rating	Unit
V_R	DC Reverse Voltage	30	V
I_O	Mean Rectifying Current	200	mA
I_{FSM}	Peak Forward Surge Current(60Hz,1cyc)	1	A
T_J	Junction Temperature	125	°C
T_{STG}	Storage Temperature	-40 to +125	°C

Electrical Characteristics @ 25°C Unless Otherwise Specified

Symbol	Parameter	Min	Typ	Max	Units
V_F	Forward Voltage ($I_F=200\text{mAdc}$)	---	---	0.6	Vdc
I_R	Reverse Current ($V_R=10\text{Vdc}$)	---	---	1.0	uAdc

DIMENSIONS			
DIM	INCHES	MM	NOTE
	Type	Type	
A	.063	1.60	
B	.472	1.20	
C	.032	0.80	
D	.026	0.65	
E	.012	0.30	
F	.004	0.10	

FIG. 1 - FORWARD CHARACTERISTICS

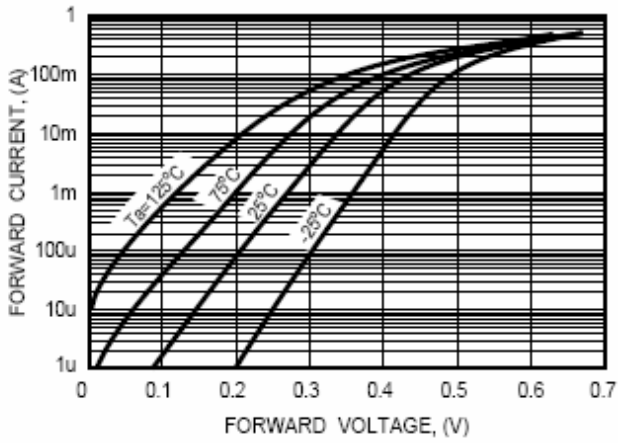


FIG. 2 - REVERSE CHARACTERISTICS

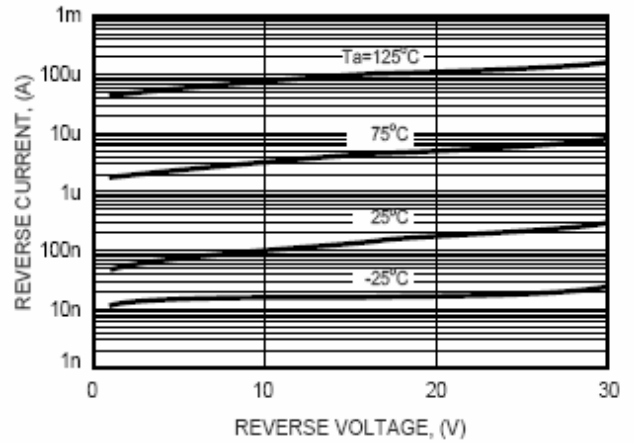


FIG. 3 - TYPICAL JUNCTION CAPACITANCE

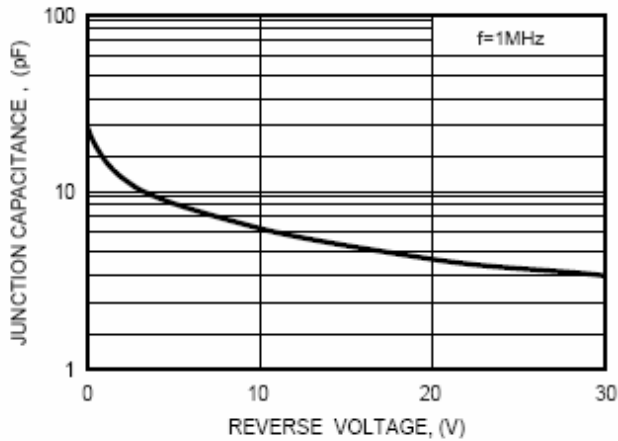
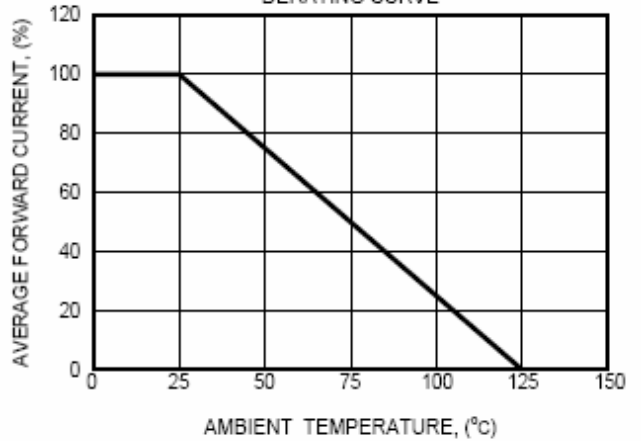


FIG. 4 - TYPICAL FORWARD CURRENT DERATING CURVE



Ordering Information

Device	Packing
(Part Number)-TP	Tape&Reel;3Kpcs/Reel

■

■

■

■