

TM

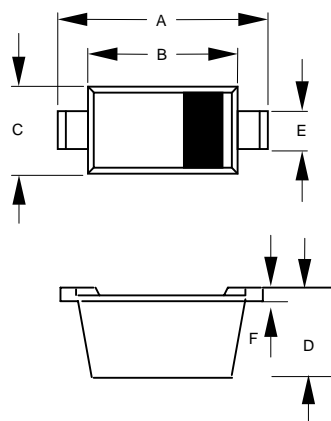
RB520G-30

Features

- Lead Free Finish/RoHS Compliant("P" Suffix designates RoHS Compliant. See ordering information)
- Case Material: Molded Plastic. UL Flammability Classification Rating 94V-0 and MSL Rating 1
- Marking : E
- High Reliability
- Low Reverse Current and Low Forward Voltage.
- Small Surface Mount Type

100 mA
Schottky Barrier Diode
30 Volts

SOD-723



Maximum Ratings

Symbol	Rating	Rating	Unit
V_R	DC Reverse Voltage	30	V
I_O	Mean Rectifying Current	100	mA
I_{FSM}	Peak Forward Surge Current*	0.5	A
T_J	Junction Temperature	125	°C
T_{STG}	Storage Temperature	-40 to +125	°C

Electrical Characteristics @ 25°C Unless Otherwise Specified

Symbol	Parameter	Min	Typ	Max	Units
--------	-----------	-----	-----	-----	-------

V_F	Forward Voltage ($I_F=10\text{mA}$)	---	---	0.45	Vdc
I_R	Reverse Current ($V_R=10\text{Vdc}$)	---	---	0.5	uAcd

DIM	DIMENSIONS				NOTE
	INCHES		MM		
	MIN	MAX	MIN	MAX	
A	.051	.059	1.30	1.50	
B	.035	.043	0.90	1.10	
C	.022	.026	0.55	0.65	
D	.021	.026	0.525	0.65	
E	.010	.014	0.25	0.35	
F	.003	.006	0.08	0.15	

●Electrical characteristic curves (Ta=25°C)

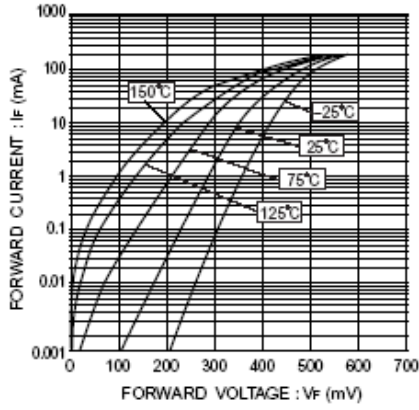


Fig.1 Forward characteristics

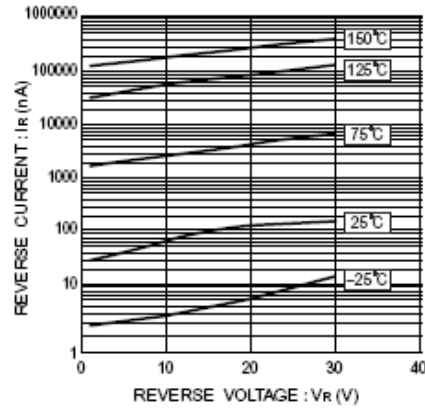


Fig.2 Reverse characteristics

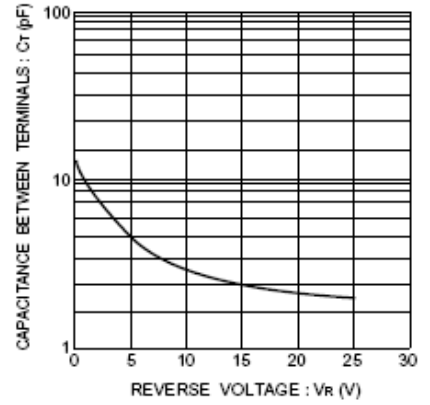


Fig. 3 Capacitance between terminals characteristics

Ordering Information

Device	Packing
(Part Number)-TP	Tape&Reel;3Kpcs/Reel