

EDCON-COMPONENTS



Technical Discription

Drawing

Features

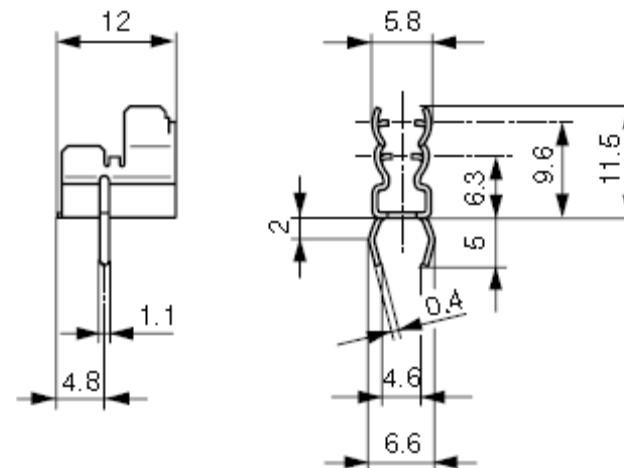
Trough Hole Technology
 Clip-Material Phosphor bronze
 Fuse block accepts 5x20mm or 6,3x32mm

Features

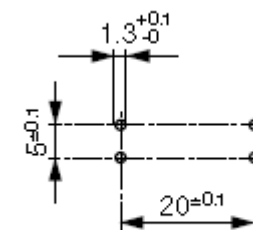
IEC 60127-6
 UL 4248-1 / UL512
 CSA C22.2 no. 39

Features

Rated Voltage: 600VAC/DC
 Rated Current: 10A (UL/CSA)
 Protection Degree: IP 00
 Operating Temperature: -40°C to + 85°C
 Contact Resistance: <2,5mΩ at 20mV
 Weight: 0,98gr.
 Climatic Category: 40/085/21



PCB Layout



**Dual Fuse PCB Holder
 5,0/6,3mm**

Part No.: **R53056**

Customer:

DRW:	Jason	CHKD	Wilson	MATL:	Wilson	TOLERANCE	Mason	DATE	07.01.2011
APPD:	Schumi			FINISH	Jamy		Sheet No.	1 from 3	

www.edcon-components.com

email: info@edcon-components.com

EDCON-COMPONENTS



Ordering Informations

Serie	Pin Construction	Contact Material	Contact Plating	ROHS	Packing					
-------	------------------	------------------	-----------------	------	---------	--	--	--	--	--

R53056	K	P	T	R	BU101					
---------------	----------	----------	----------	----------	--------------	--	--	--	--	--

K= Kinked Pin	P= Phosphor Bronze	T= Tinned	R= ROHS Conform	BU101= Bulk-Ware 100PCS
	B= Brass			

**Dual Fuse PCB Holder
5,0/6,3mm**

Part No.: **R53056**

DRW:	Jason	CHKD	Wilson	MATL:	Wilson	TOLERANCE	Mason	DATE	07.01.2011
APPD:	Schumi			FINISH	Jamy		Sheet No.	2 from 3	Customer:

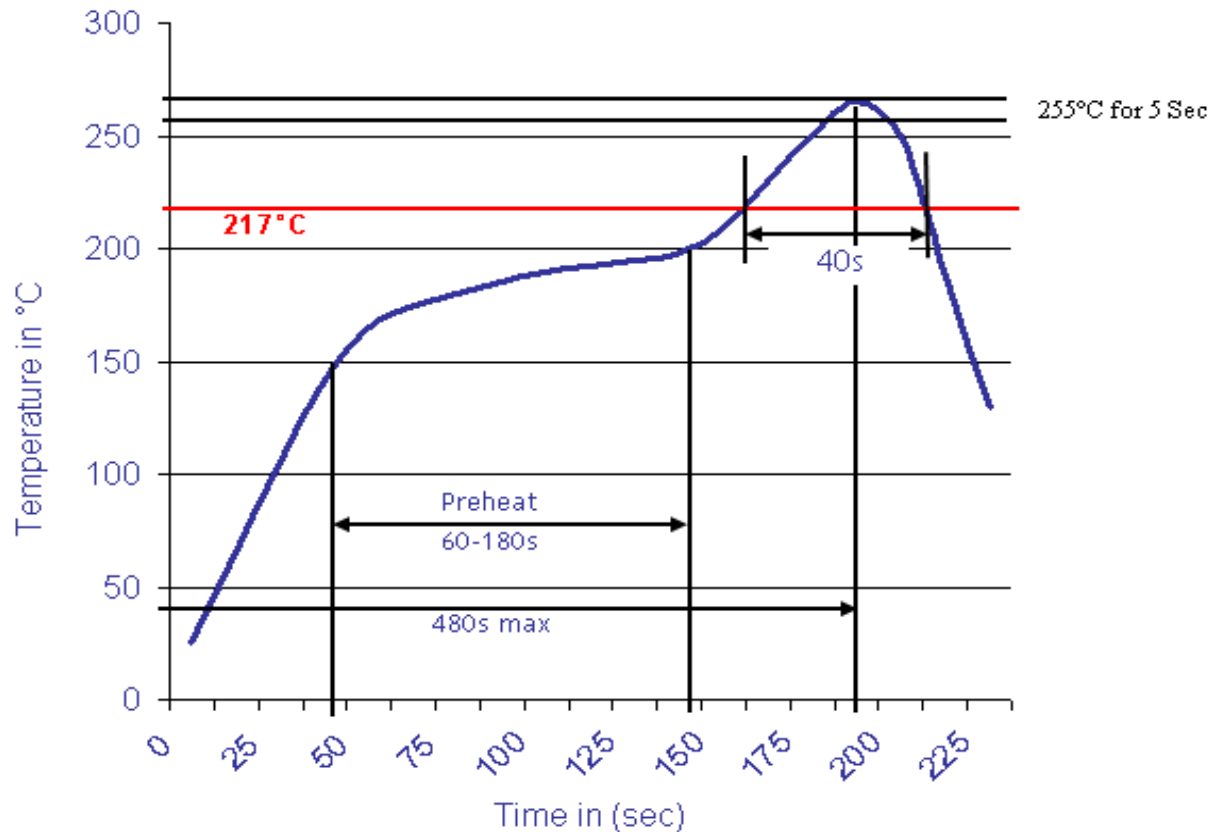
www.edcon-components.com

email: info@edcon-components.com



Soldering Profile Curve

Classification Reflow Profile (JEDEC J-STD-020C)



**Dual Fuse PCB Holder
 5,0/6,3mm**

Part No.: **R53056**

DRW:	Jason	CHKD	Wilson	MATL:	Wilson	TOLERANCE	Mason	DATE	07.01.2011
APPD:	Schumi			FINISH	Jamy		Sheet No.	3 from 3	

Customer: