

# EDCON-COMPONENTS



## Technical Discription

## Drawing

### Features

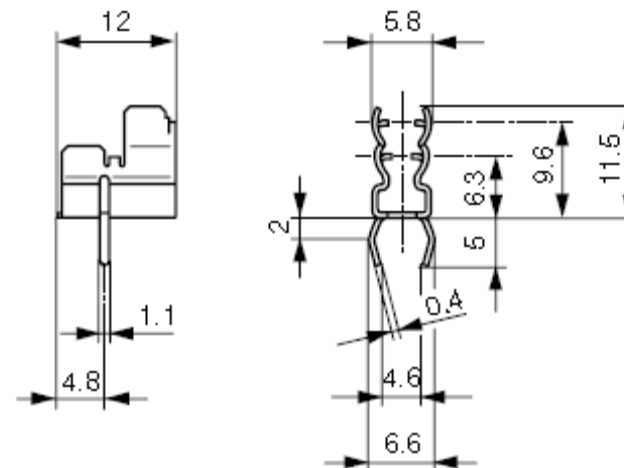
Trough Hole Technology  
 Clip-Material Phosphor bronze  
 Fuse block accepts 5x20mm or 6,3x32mm

### Features

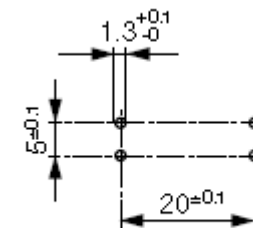
IEC 60127-6  
 UL 4248-1 / UL512  
 CSA C22.2 no. 39

### Features

Rated Voltage: 600VAC/DC  
 Rated Current: 10A (UL/CSA)  
 Protection Degree: IP 00  
 Operating Temperature: -40°C to + 85°C  
 Contact Resistance: <2,5mΩ at 20mV  
 Weight: 0,98gr.  
 Climatic Category: 40/085/21



PCB Layout



**Dual Fuse PCB Holder  
 5,0/6,3mm**

Part No.: **R53055**

Customer:

DRW:	Jason	CHKD	Wilson	MATL:	Wilson	TOLERANCE	Mason	DATE	07.01.2011
APPD:	Schumi			FINISH	Jamy		Sheet No.	1 from 3	

[www.edcon-components.com](http://www.edcon-components.com)

email: [info@edcon-components.com](mailto:info@edcon-components.com)

# EDCON-COMPONENTS



## Ordering Informations

Serie	Pin Construction	Contact Material	Contact Plating	ROHS	Packing					
-------	------------------	------------------	-----------------	------	---------	--	--	--	--	--

<b>R53055</b>	<b>S</b>	<b>P</b>	<b>T</b>	<b>R</b>	<b>BU101</b>					
---------------	----------	----------	----------	----------	--------------	--	--	--	--	--

<b>S</b> = Straight Pin	<b>P</b> = Phosphor Bronze	<b>T</b> = Tinned	<b>R</b> = ROHS Conform	<b>BU101</b> = Bulk-Ware 100PCS
	<b>B</b> = Brass			

**Dual Fuse PCB Holder  
5,0/6,3mm**

Part No.: **R53055**

DRW:	Jason	CHKD	Wilson	MATL:	Wilson	TOLERANCE	Mason	DATE	07.01.2011
APPD:	Schumi			FINISH	Jamy		Sheet No.	2 from 3	Customer:

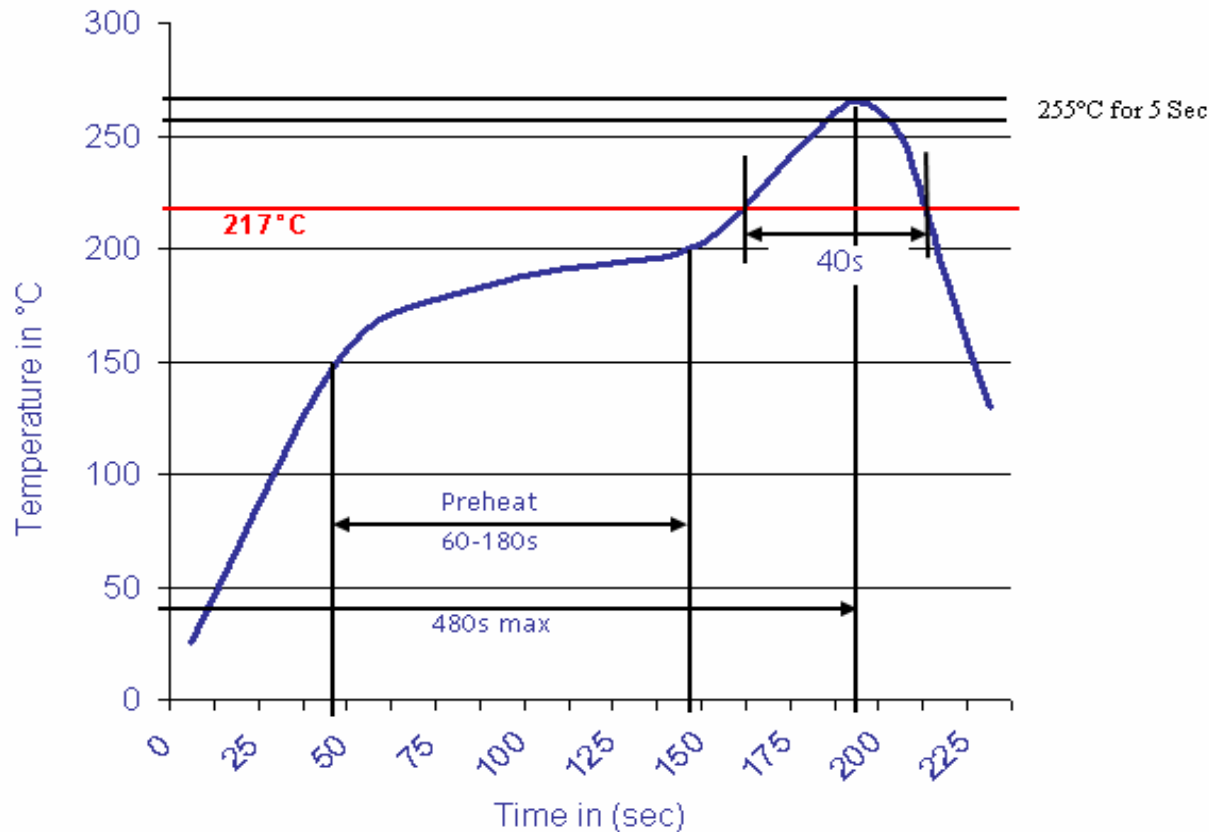
[www.edcon-components.com](http://www.edcon-components.com)

email: [info@edcon-components.com](mailto:info@edcon-components.com)



**Soldering Profile Curve**

**Classification Reflow Profile (JEDEC J-STD-020C)**



<b>Dual Fuse PCB Holder</b>	
<b>5,0/6,3mm</b>	
Part No.:	<b>R53055</b>
Customer:	

DRW:	Jason	CHKD	Wilson	MATL:	Wilson	TOLERANCE	Mason	DATE	07.01.2011
APPD:	Schumi			FINISH	Jamy		Sheet No.		3 from 3