

# EDCON-COMPONENTS



## Technical Discription

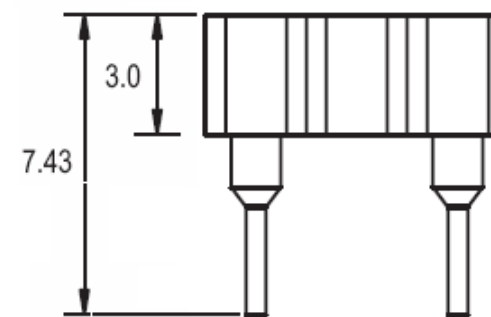
## Drawing

### Features

Trough Hole Technology  
Housing: Glass filled polyester UL94V-0

### Technical Informations

Rated Voltage: 600VAC/DC  
 Rated Current: 4A (UL/CSA)  
 Insulation Resistance: 103MΩ at V=100V  
 Operating Temperature: -55°C to + 125°C  
 Contact Resistance: <4mΩ at 20mV  
 Contact Material: Beryllium Copper  
 Heat treated  
 Plating: Nickel/Tin  
 Insertion Force: <250gr.  
 Withdrawal Force: >50gr.



**PCB Holder for TR5 or TR2  
Fuse**

Part No.: **R53030**

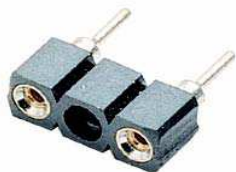
Customer:

DRW:	Jason	CHKD	Wilson	MATL:	Wilson	TOLERANCE	Mason	DATE	17.03.2011
APPD:	Schumi			FINISH	Jamy		Sheet No.	1 from 3	

[www.edcon-components.com](http://www.edcon-components.com)

email: [info@edcon-components.com](mailto:info@edcon-components.com)

# EDCON-COMPONENTS



## Ordering Informations

Serie	Special function	Special function	Solder Plating	ROHS	Packing					
-------	------------------	------------------	----------------	------	---------	--	--	--	--	--

<b>R53030</b>	-	<b>N</b>	<b>N</b>	<b>T</b>	<b>R</b>	<b>BU101</b>				
---------------	---	----------	----------	----------	----------	--------------	--	--	--	--

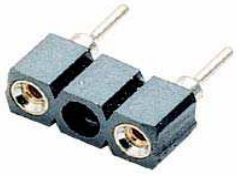
<b>N</b> = No function	<b>N</b> = No function	<b>T</b> = Tinned	<b>R</b> = ROHS Conform	<b>BU101</b> = Bulk-Ware 100PCS
			<b>N</b> = NON ROHS Conform	

**PCB Holder for TR5 or TR2 Fuse**

Part No.: **R53030**

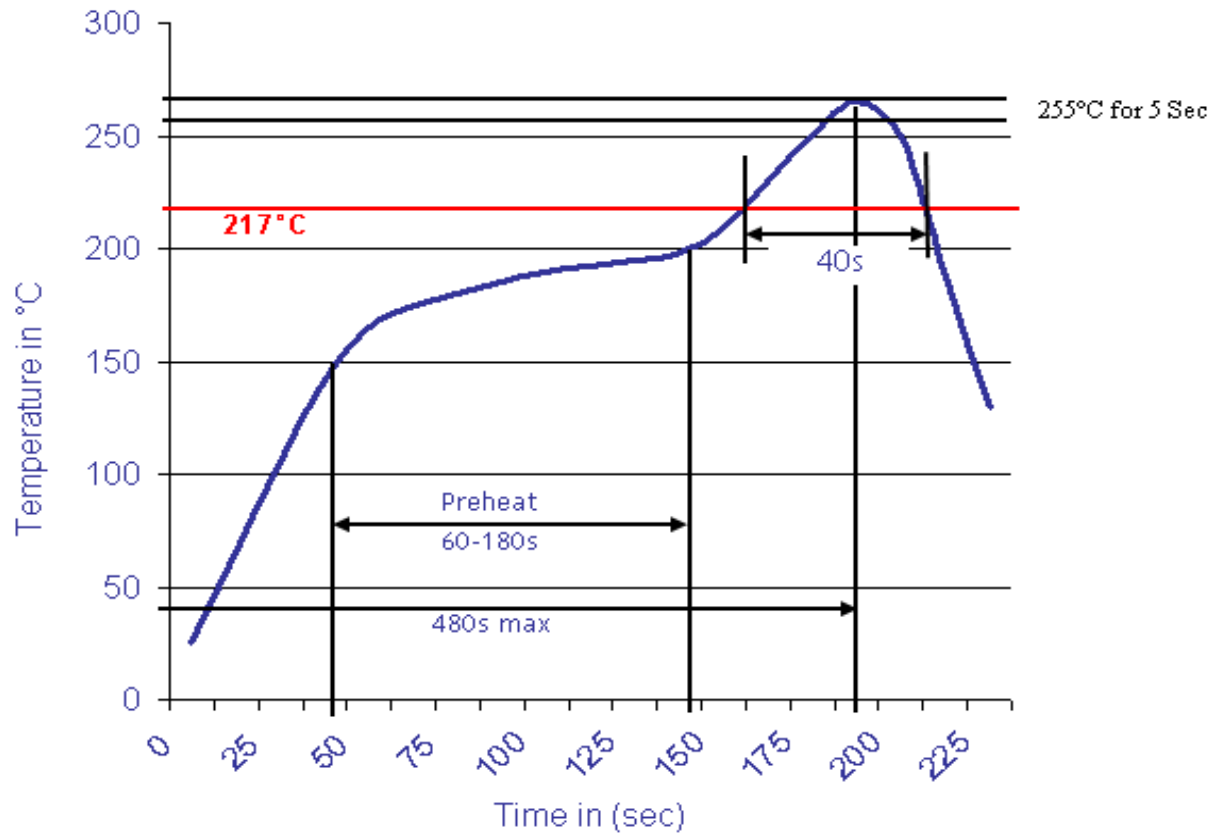
DRW:	Jason	CHKD	Wilson	MATL:	Wilson	TOLERANCE	Mason	DATE	17.03.2011
APPD:	Schumi			FINISH	Jamy			Sheet No.	2 from 3

Customer:



**Soldering Profile Curve**

**Classification Reflow Profile (JEDEC J-STD-020C)**



<b>PCB Holder for TR5 or TR2 Fuse</b>	
Part No.:	<b>R53030</b>
Customer:	

DRW:	Jason	CHKD	Wilson	MATL:	Wilson	TOLERANCE	Mason	DATE	17.03.2011
APPD:	Schumi			FINISH	Jamy		Sheet No.	3 from 3	