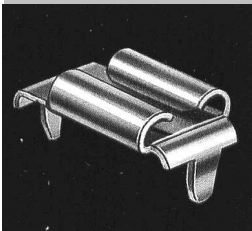


# EDCON-COMPONENTS

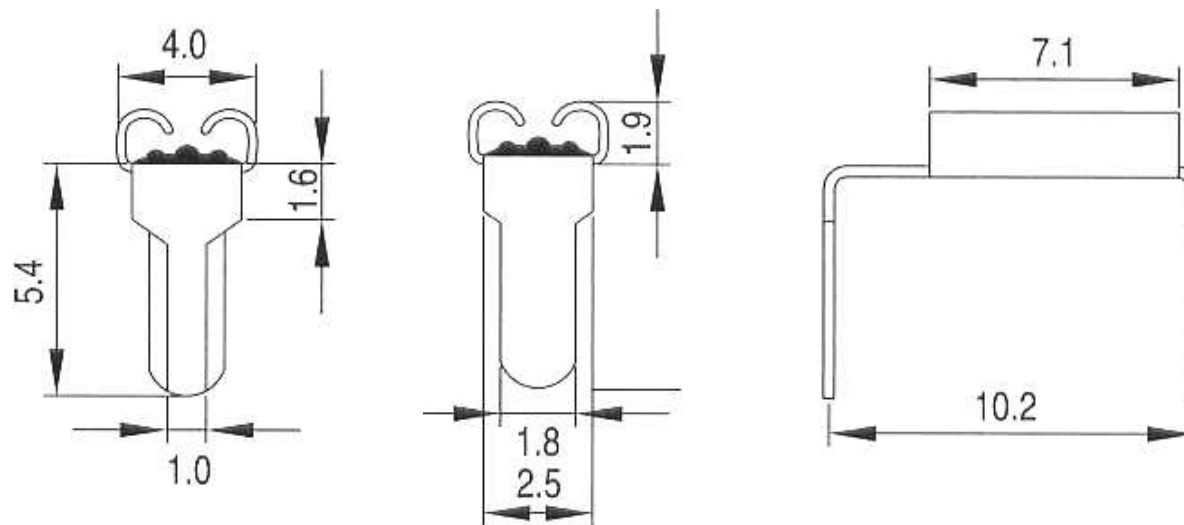


## Technical Discription

## Drawing

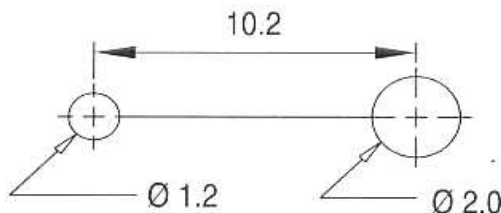
EDCON-COMPONENTS Fuse Holders features for easy removal, clearly printed / imprinted "FUSE" for easy panel identification and keyed mounting hole requirement for anti rotation safety. All fuse holders include mounting washer and solder lugs for wiring.

Rated Current	15A / 24VDC
Insulation Resistance at 500VDC	100MΩ Min.
Contact Resistance	5mΩ @ 1A DC
Dielectric Strength for 60seconds	AC1500V Min.
Material:	Spring Brass
Material Plating:	Bright Tin plated
Material thickness:	0,30mm



### Approvals

No Approval



PCB Layout

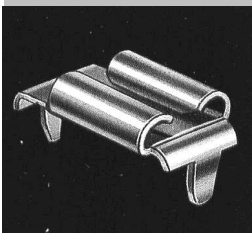
### PCB Fuse Holder

Part No.: **R53028**

Customer:

DRW:	Jason	CHKD	Wilson	MATL:	Wilson	TOLERANCE	Mason	DATE	12.03.2011
APPD:	Schumi			FINISH	Jamy		Sheet No.	1 from 3	

# EDCON-COMPONENTS



## Ordering Informations

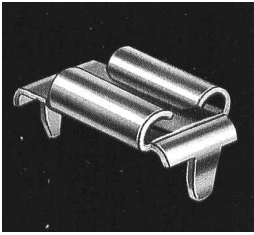
Serie	Range	Special function	ROHS	Packing						
-------	-------	------------------	------	---------	--	--	--	--	--	--

<b>R53028</b>	<b>A</b>	<b>N</b>	<b>R</b>	<b>BU</b>						
---------------	----------	----------	----------	-----------	--	--	--	--	--	--

<b>A= 15A</b>	<b>N= No function</b>	<b>R= ROHS Conform</b>	<b>BU= Bulk-Ware</b>
			<b>IV= Individual Package</b>

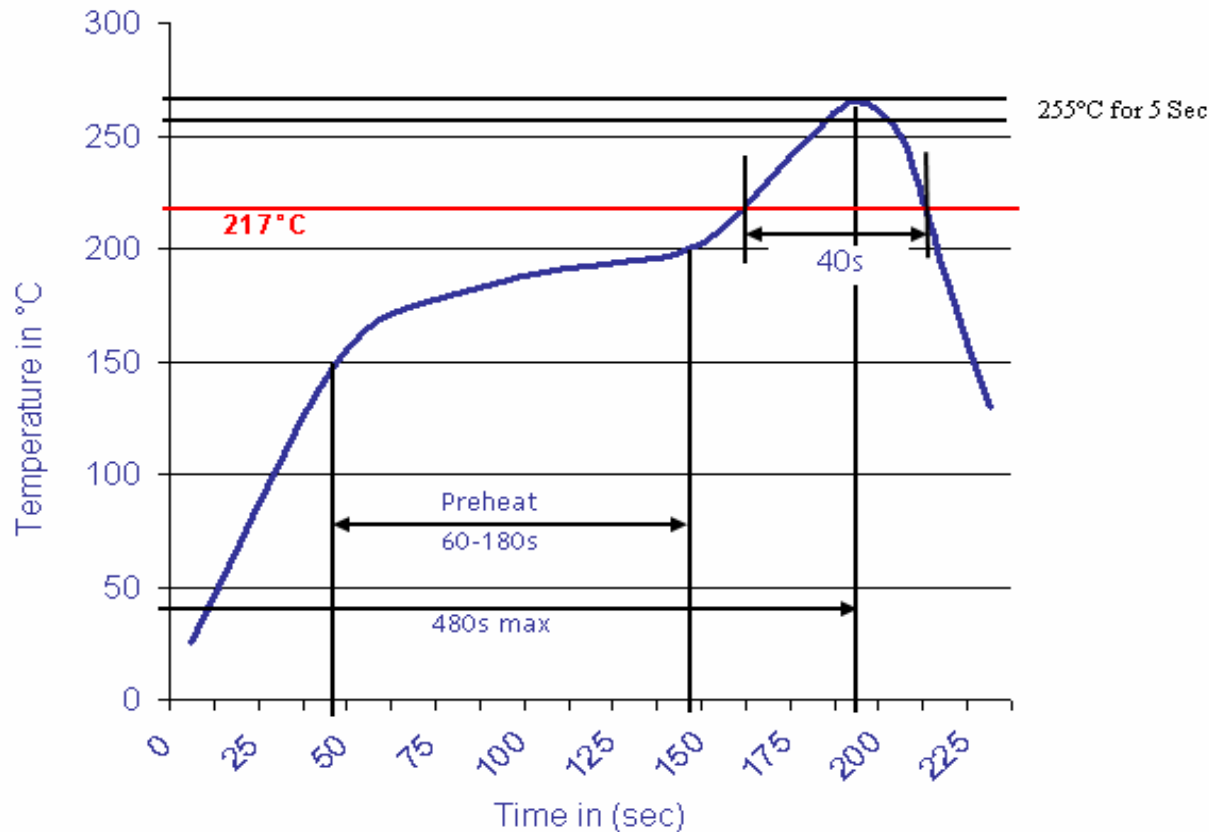
<b>PCB Fuse Holder</b>
Part No.: <b>R53028</b>
Customer:

DRW:	Jason	CHKD	Wilson	MATL:	Wilson	TOLERANCE	Mason	DATE	12.03.2011
APPD:	Schumi			FINISH	Jamy			Sheet No.	2 from 3



**Soldering Profile Curve**

**Classification Reflow Profile (JEDEC J-STD-020C)**



<b>PCB Fuse Holder</b>	
Part No.:	<b>R53028</b>
Customer:	

DRW:	Jason	CHKD	Wilson	MATL:	Wilson	TOLERANCE	Mason	DATE	12.03.2011
APPD:	Schumi			FINISH	Jamy		Sheet No.		3 from 3

[www.edcon-components.com](http://www.edcon-components.com)

email: [info@edcon-components.com](mailto:info@edcon-components.com)