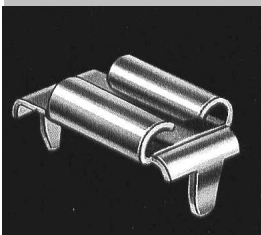


EDCON-COMPONENTS

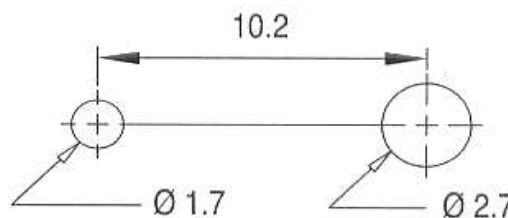
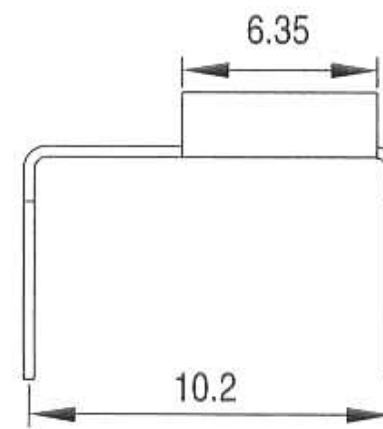
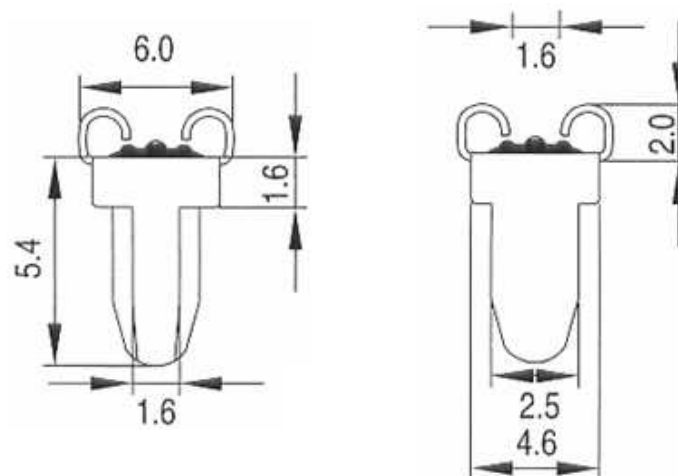


Technical Discription

Drawing

EDCON-COMPONENTS Fuse Holders features for easy removal, clearly printed / imprinted "FUSE" for easy panel identification and keyed mounting hole requirement for anti rotation safety. All fuse holders include mounting washer and solder lugs for wiring.

Rated Current	15A / 24VDC
Insulation Resistance at 500VDC	100MΩ Min.
Contact Resistance	5mΩ @ 1A DC
Dielectric Strength for 60seconds	AC1500V Min.
Material:	Spring Brass
Material Plating:	Bright Tin plated
Material thickness:	0,30mm



PCB Layout

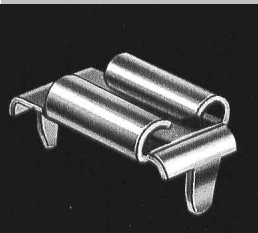
PCB Fuse Holder

Part No.: **R53028**

Customer:

DRW:	Jason	CHKD	Wilson	MATL:	Wilson	TOLERANCE	Mason	DATE	12.03.2011
APPD:	Schumi			FINISH	Jamy		Sheet No.	1 from 3	

EDCON-COMPONENTS



Ordering Informations

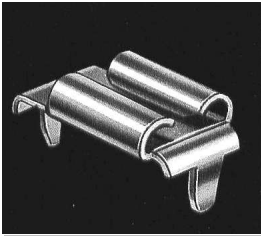
Serie	Range	Special function	ROHS	Packing						
-------	-------	------------------	------	---------	--	--	--	--	--	--

R53028	-	A	N	R	BU					
---------------	---	----------	----------	----------	-----------	--	--	--	--	--

A= 15A	N= No function	R= ROHS Conform	BU= Bulk-Ware
			IV= Individual Package

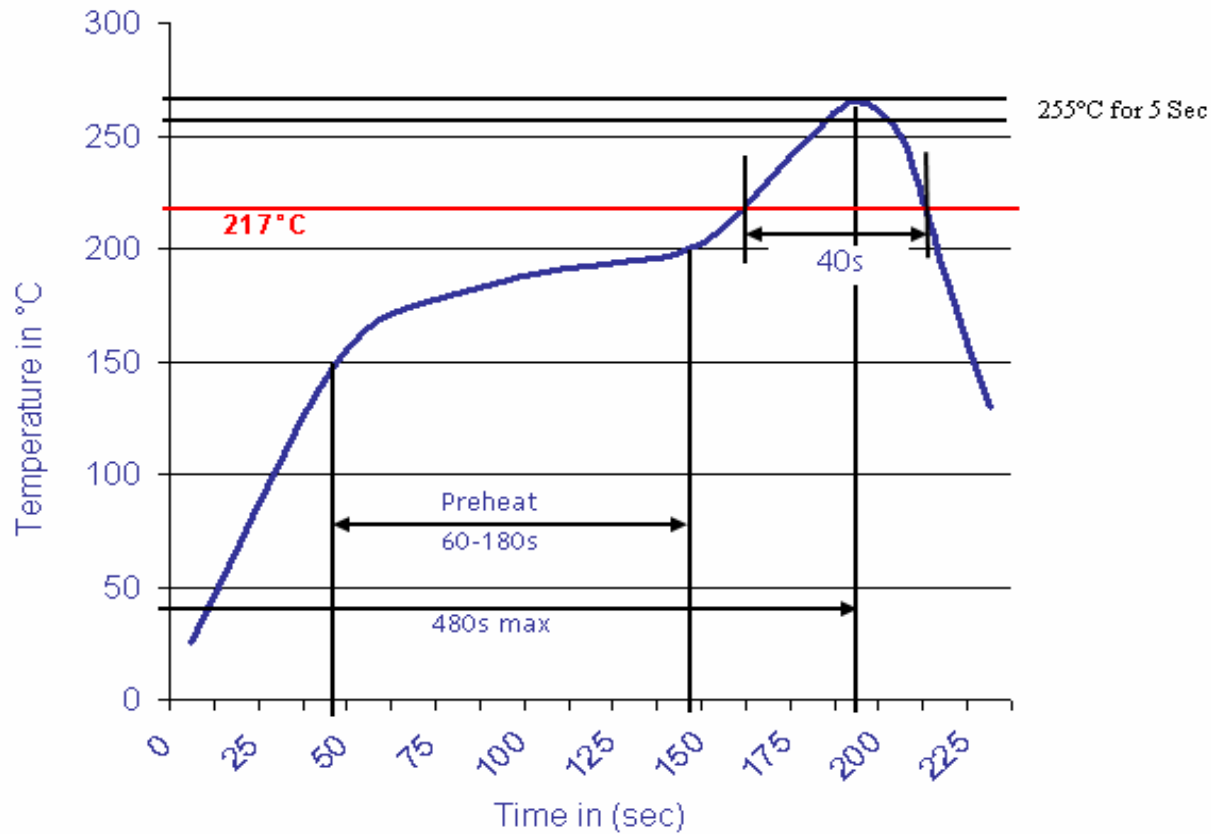
PCB Fuse Holder
Part No.: R53028
Customer:

DRW:	Jason	CHKD	Wilson	MATL:	Wilson	TOLERANCE	Mason	DATE	12.03.2011
APPD:	Schumi			FINISH	Jamy		Sheet No.	2 from 3	



Soldering Profile Curve

Classification Reflow Profile (JEDEC J-STD-020C)



PCB Fuse Holder	
Part No.:	R53028
Customer:	

DRW:	Jason	CHKD	Wilson	MATL:	Wilson	TOLERANCE	Mason	DATE	12.03.2011
APPD:	Schumi			FINISH	Jamy		Sheet No.	3 from 3	