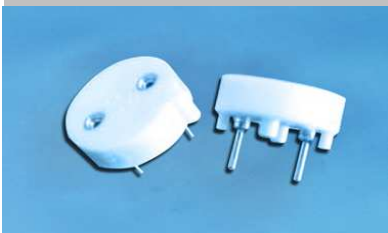


EDCON-COMPONENTS



Technical Discription

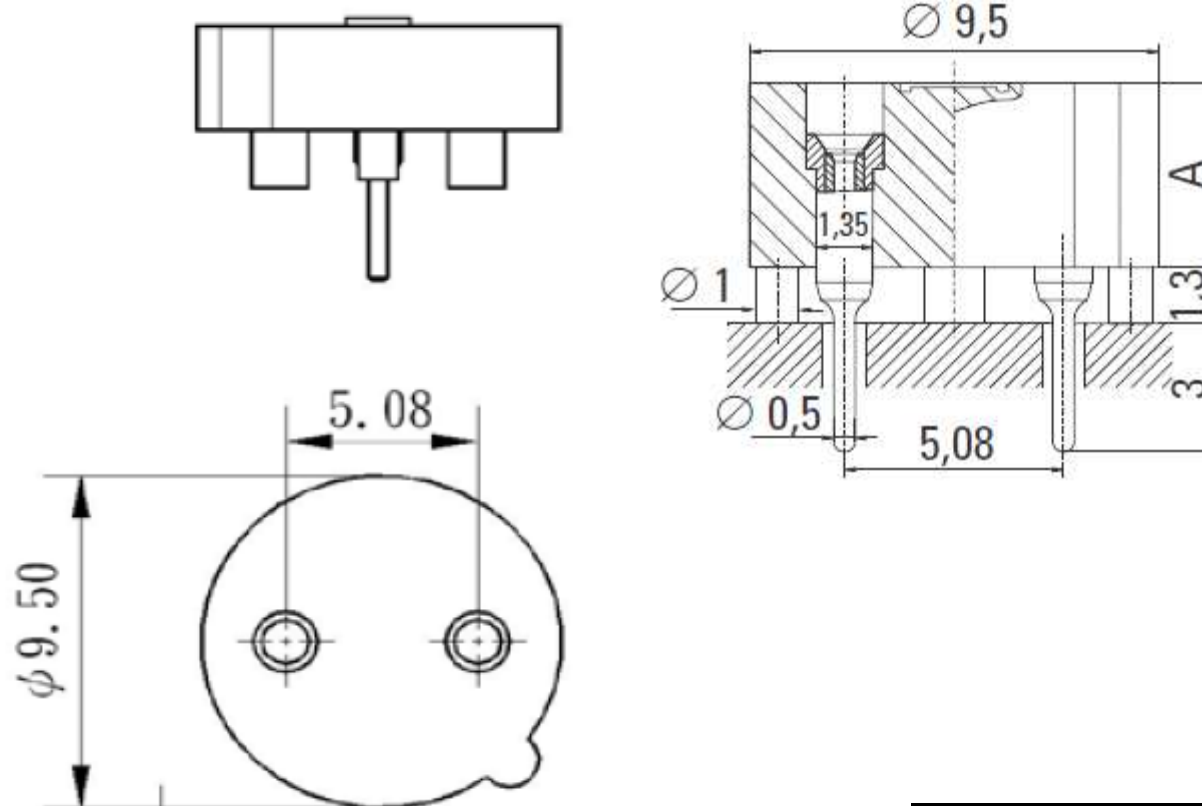
Drawing

Features

Trough Hole Technology
Housing: Glass filled polyester UL94V-0

Technical Informations

Rated Voltage: 250VAC/DC
 Rated Current: 6,3A (UL/CSA)
 Insulation Resistance: 103MΩ at V=100V
 Operating Temperature: -55°C to + 125°C
 Contact Resistance: <4mΩ at 20mV
 Contact Material: Beryllium Copper
 Heat treated
 Plating: Nickel/Tin
 Insertion Force: <250gr.
 Withdrawal Force: >50gr.



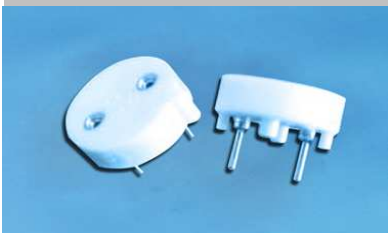
PCB Holder for TR5 / TR2 Fuse

Part No.: **R53007**

Customer:

DRW:	Jason	CHKD	Wilson	MATL:	Wilson	TOLERANCE	Mason	DATE	14.05.2014
APPD:	Schumi			FINISH	Jamy		Sheet No.	1 from 3	

EDCON-COMPONENTS



Ordering Informations

Serie	Special function	Special function	Solder Plating	ROHS	Packing					
-------	------------------	------------------	----------------	------	---------	--	--	--	--	--

R53007	-	N	N	T	R	BU101				
---------------	---	----------	----------	----------	----------	--------------	--	--	--	--

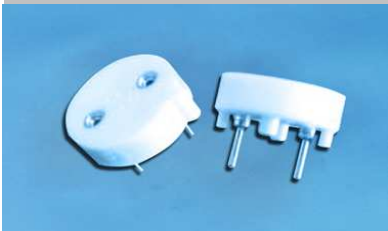
N = No function	N = No function	T = Tinned	R = ROHS Conform	BU101 = Bulk-Ware 100PCS
			N = NON ROHS Conform	

PCB Holder for TR5 / TR2 Fuse

Part No.: **R53007**

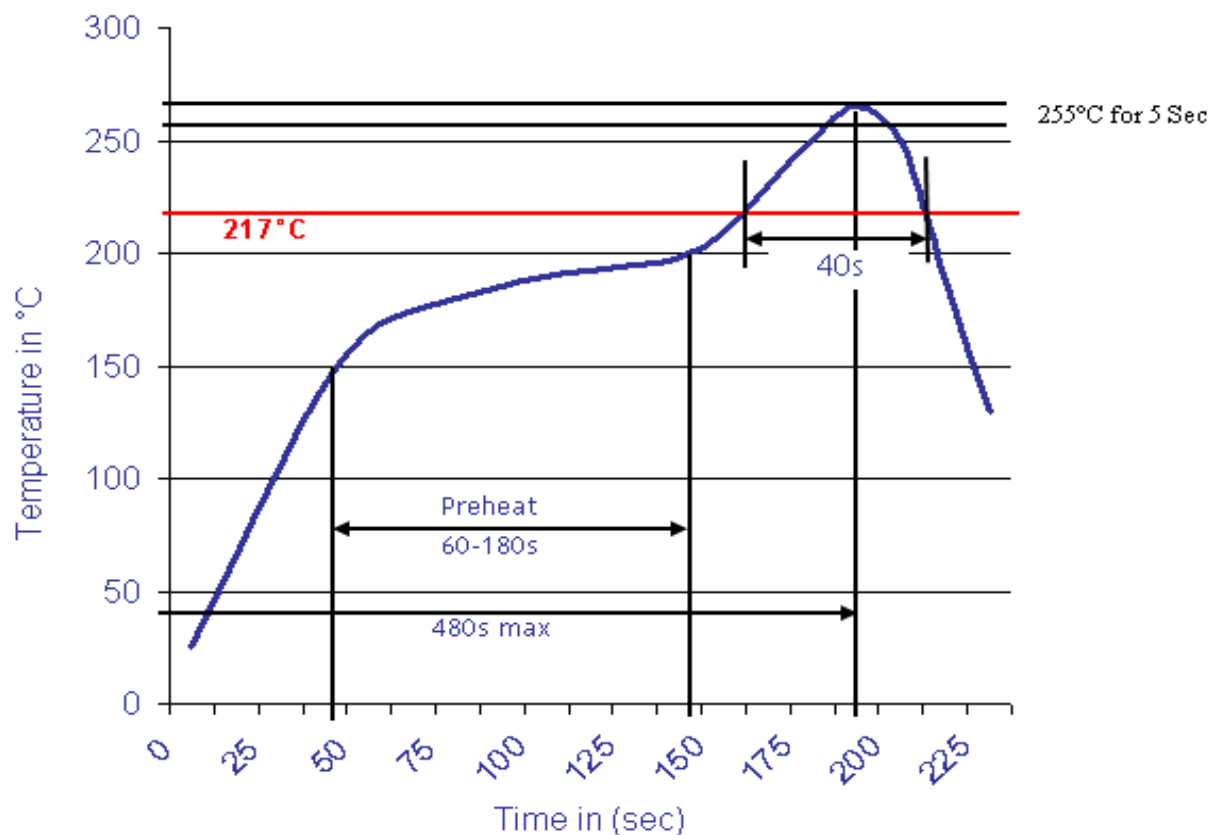
DRW:	Jason	CHKD	Wilson	MATL:	Wilson	TOLERANCE	Mason	DATE	14.05.2014
APPD:	Schumi			FINISH	Jamy			Sheet No.	2 from 3

Customer:



Soldering Profile Curve

Classification Reflow Profile (JEDEC J-STD-020C)



PCB Holder for TR5 / TR2 Fuse	
Part No.:	R53007
Customer:	

DRW:	Jason	CHKD	Wilson	MATL:	Wilson	TOLERANCE	Mason	DATE	14.05.2014
APPD:	Schumi			FINISH	Jamy		Sheet No.	3 from 3	