



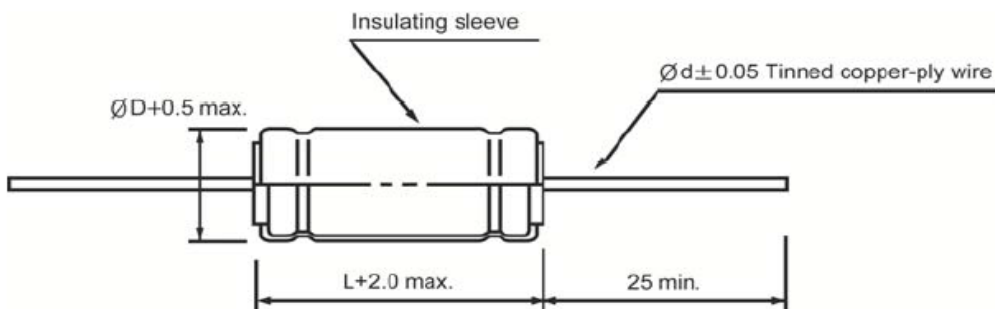
THT, Axialer E-Cap., For Speaker Networks, Load life 1000 hours at 85°C Bi-polar suitable for audio crossover Network, ROHS Conform, Packing Box

Items		Performance Characteristics							
Operating temperature range	-40°C +105°C								
Leakage current max.	I = 0,03CV + 3µA whichever is greater (after 5 minutes)								
Capacitance tolerance	±5%, ±10% at 1KHz, 20°C								
Rated working voltage	50VDC, 100VDC								
Dissipation factor max. (at 120Hz, 20°C)	TanQ	≤0,10							
Load life (after application of the rated voltage for 1000hrs at 85°C)	Leakage Current							Less than specified Value	
	Capacitance Change							Within ±20% off initial Value	
	TanQ							Less than 150% of specified value	
	Test Method							Polarity reverse each 2500hours	
Shelf life (at 85°C) (after leaving capacitor under no load at 105°C for 500hours).	Leakage Current							Less than 200% of specified Value	
	Capacitance Change							Within ±20% off initial Value	
	TanQ							Less than 150% of specified value	

Technical Details

Range (µF)	47	ØD(mm)	13,0
Voltage	100	L(mm)	31,0
Impedance (Ω)	.-	F(mm)	0,0
Ripple Current (mA)	470	Ød(mm)	0,8
ESR (Ω) max.at 20°C 10KHz	.-	α(mm)	0
Lifetime (hrs)	1000	.-	.-
Operating- Temperature Range (°C)	.-40°C ~ +85°C	.-	.-

● DRAWING



ØD	10	13	16	18
Ød	0,6	0,8	0,8	0,8

DRW:	Lexua	CHKD	Wilson	MATL:	ChuChu	DATE	28.01.2025
APPD:	Jimmy			FINISH	Josy	Sheet	1 from 2



THT, Axialer E-Cap., For Speaker Networks, Load life 1000 hours at 85°C Bi-polar suitable for audio crossover Network, ROHS Conform, Packing Box

Ordering Informations:

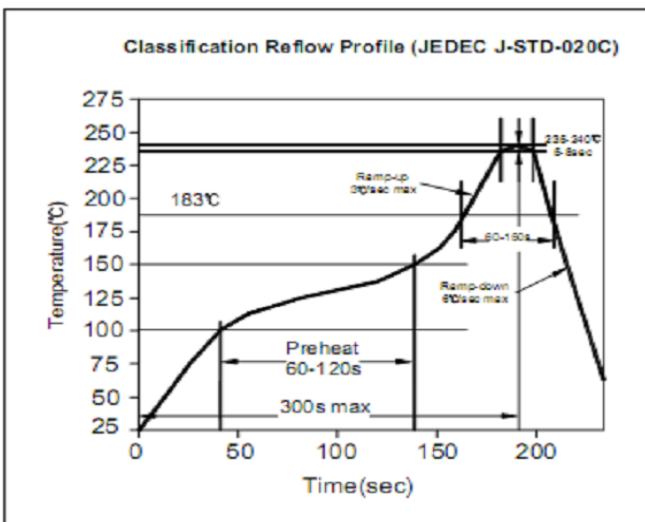
Serie-No. / Voltage / Range / Size	Capacity Tolerance	ROHS	Packing
------------------------------------	--------------------	------	---------

I14133-1014701331	M	R	BU
-------------------	---	---	----

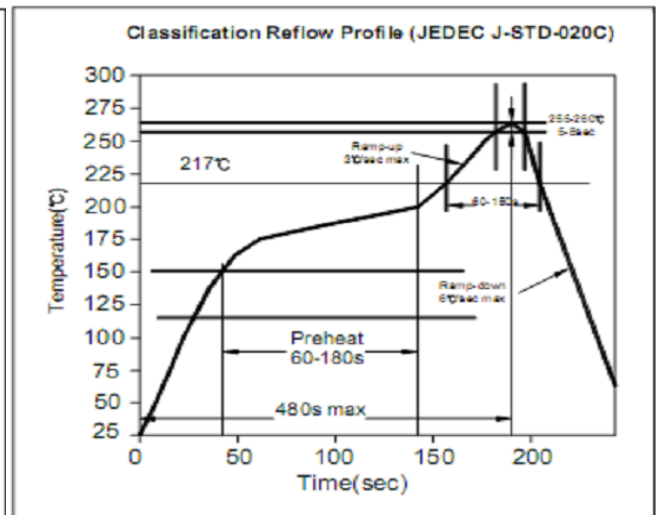
Serie	Voltage (V)	Range μ H)	D * L (mm)	Tolerance Order Code	R= ROHS N= NON ROHS	BU= Bulk-Ware Long Lead T/B= Tape/Box L3= Lead-Length 3~3,5mm
-------	-------------	----------------	------------	----------------------	------------------------	---

Soldering Information

Lead Solder Performance



Lead free Solder Performance



DRW:	Lexua	CHKD	Wilson	MATL:	ChuChu	DATE	28.01.2025
APPD:	Jimmy			FINISH	Josy	Sheet	2 from 2