



THT, Radial E-Cap., Standard Low Leakage current serie, Suited for high gain audio coupling applications, Stable leakage current characteristis for a long period of use, Long Lead, ROHS Conform, Packing Bulk-Ware into Polybag

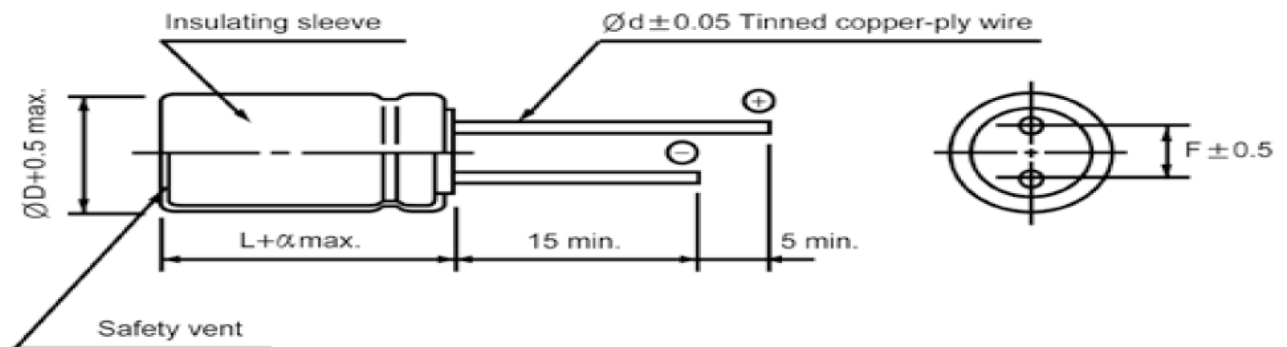
Items		Performance Characteristics								
Operating temperature range		-40°C +85°C								
Leakage current max.		I = 0,02CV + 0,4µA whichever is greater (after 2 minutes)								
Capacitance tolerance		±20% at 120Hz, 20°C								
Dissipation factor max. (at 120Hz, 20°C)		Capacitance > 1000µF ; tanQ increases by 0,02 for each 1000µF from below value.								
		WV	10	16	25	35	50	63	100	
		TanQ	0,17	0,15	0,12	0,12	0,10	0,09	0,09	
Low temperature characteristics (Impedance ratio at 120Jz)			10	16	25	35	50	63	100	
		Z-25°C / Z+20°C	2	2	2	1,75	1,5	1,5	1,5	
		Z-40°C / Z+20°C	4	4	4	3	2	2	2	
Load life (after application of the rated voltage for 2000hrs at 85°C)		Leakage Current				Less than specified Value				
		Capacitance Change				WV ≤ 16		WV ≥ 16		
						±20%		±20%		
						±20%		±15%		
		TanQ								
		Less than 150% of specified value								
Shelf life (at 85°C)		After 1000 hours no load test, leakage current, capacitance and tanQ are same as load life value.								

FREQUENCY COEFFICIENT OF PERMISSIBLE RIPPE CURRENT

µF/ Frequency	50HZ	120Hz	1kHz	10kHz		
~47	0,75	1,00	1,55	2,00		
68 ~ 680	0,80	1,00	1,35	1,50		
1000~	0,85	1,00	1,15	1,15		

Technical Details

Range (µF)	4,7	∅D(mm)	5,0
Voltage	50	L(mm)	11,0
Impedance (Ω)	-.-	F(mm)	2,0
Ripple Current (mA)	42	∅d(mm)	0,5
ESR (Ω) max.at 20°C 10KHz	-.-	α(mm)	1,5
Lifetime (hrs)	2000	-.-	-.-
Operating- Temperature Range (°C)	-40°C ~ +85°C	-.-	-.-



∅D	5	6,3	8	10	12,5	16	18
F	2,0	2,5	3,5	5,0	5,0	7,5	7,5
∅d	0,5		0,6		0,8		
α	1,5			2,0			

DRW:	Lexua	CHKD	Wilson	MATL:	ChuChu	DATE	04.01.2025
APPD:	Jimmy			FINISH	Josy	Sheet	1 from 2

Copyright by S.Tiede



THT, Radial E-Cap., Standard Low Leakage current serie, Suited for high gain audio coupling applications, Stable leakage current characteristis for a long period of use, Long Lead, ROHS Conform, Packing Bulk-Ware into Polybag

Ordering Informations:

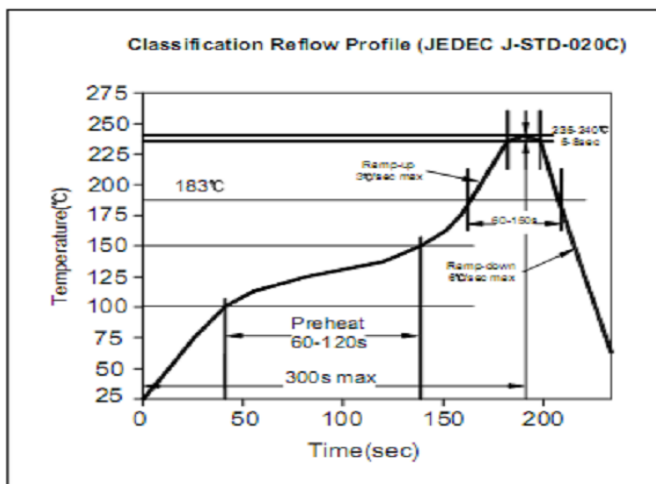
Serie-No. / Voltage / Range / Size	Capacity Tolerance	ROHS	Packing
------------------------------------	--------------------	------	---------

114116-5004R70511	M	R	BU
-------------------	---	---	----

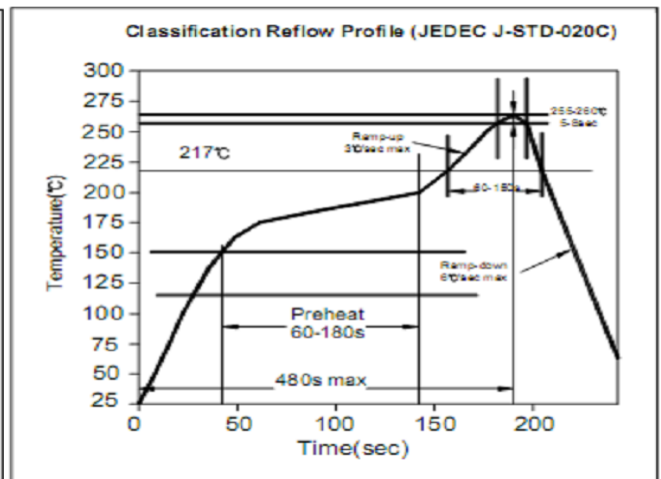
Serie	Voltage (V)	Range µH)	D * L (mm)	Tolerance Order Code	R= ROHS N= NON ROHS	BU= Bulk-Ware Long Lead T/B= Tape/Box L3= Lead-Length 3~3,5mm
-------	-------------	-----------	------------	----------------------	------------------------	---

Soldering Information

Lead Solder Performance



Lead free Solder Performance



DRW:	Lexua	CHKD	Wilson	MATL:	ChuChu	DATE	04.01.2025
APPD:	Jimmy			FINISH	Josy	Sheet	2 from 2