



THT, Radial E-Cap., Enabled high ripple current by a reduction of impedance at high frequency, High reliability withstanding, for switching power supplies, noise filter, adapter, charger, Long Lead, ROHS Conform, Packing Bulk-Ware into Polybag

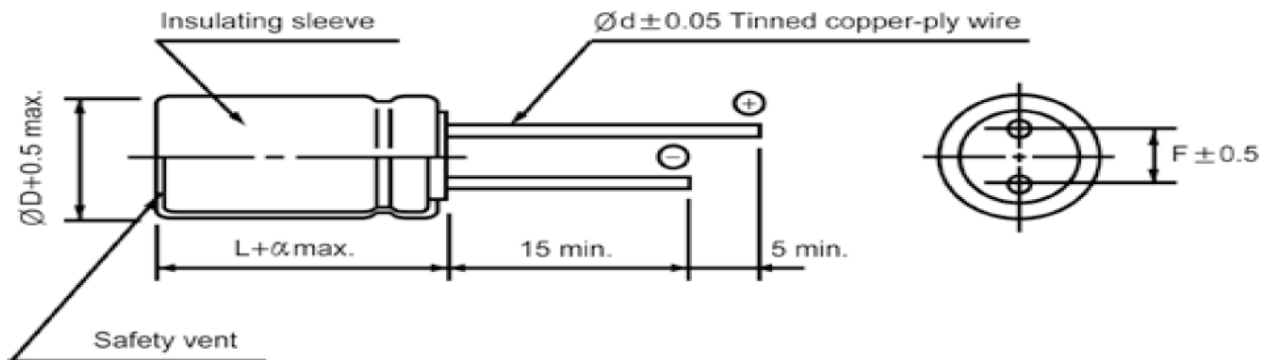
Items		Performance Characteristics									
Operating temperature range	-40°C +105°C										
Leakage current max.	I = 0,01CV or 3µA whichever is greater (after 2 minutes)										
Capacitance tolerance	±20% at 120Hz, 20°C										
Dissipation factor max. (at 120Hz, 20°C)	Capacitance > 1000µF ; tanQ increases by 0,02 for each 1000µF from below value.										
	WV	6,3	10	16	25	35	50	63	100		
	TanQ	0,22	0,19	0,16	0,14	0,12	0,10	0,09	0,08		
Low temperature characteristics (Impedance ratio at 120Jz)	Z-25°C / Z+20°C	2									
	Z-40°C / Z+20°C	3									
Load life (after application of the rated voltage for 10000hrs at 105°C)	Leakage Current	Less than specified Value									
	Capacitance Change	Within ±25% of initial value									
	TanQ	Less than 200% of specified value									
Shelf life (at 105°C)	After 1000 hours no load test, leakage current, capacitance and tanQ are same as load life value.										
	Ø5, Ø6,3 : 5000Hours, Ø8 , Ø10:7000hours										

FREQUENCY COEFFICIENT OF PERMISSIBLE RIPPE CURRENT

µF/Frequency	120Hz	1kHz	10kHz	100kHz≤
~33	0,42	0,70	0,90	1,00
47~220	0,50	0,73	0,92	1,00
330~680	0,55	0,75	0,94	1,00
1000~1500	0,60	0,80	0,96	1,00
2200~15000	0,70	0,85	0,98	1,00

Technical Details

Range (µF)	220	ØD(mm)	6,3
Voltage	10	L(mm)	11,0
Impedance (Ω)	0,25	F(mm)	2,5
Ripple Current (mA)	345	Ød(mm)	0,5
ESR (Ω) max.at 20°C 10KHz	--	α(mm)	1,5
Lifetime (hrs)	5000	--	--
Operating- Temperature Range (°C)	-40°C ~ +105°C	--	--



ØD	5	6,3	8	10	12,5	16	18
F	2,0	2,5	3,5	5,0	5,0	7,5	7,5
Ød	0,5		0,6		0,8		
α	1,5			2,0			

DRW:	Lexua	CHKD	Wilson	MATL:	ChuChu	DATE	28.01.2025
APPD:	Jimmy			FINISH	Josy	Sheet	1 from 2

Copyright by S.Tiede



THT, Radial E-Cap., Enabled high ripple current by a reduction of impedance at high frequency, High reliability withstanding, for switching power supplies, noise filter, adapter, charger, Long Lead, ROHS Conform, Packing Bulk-Ware into Polybag

Ordering Informations:

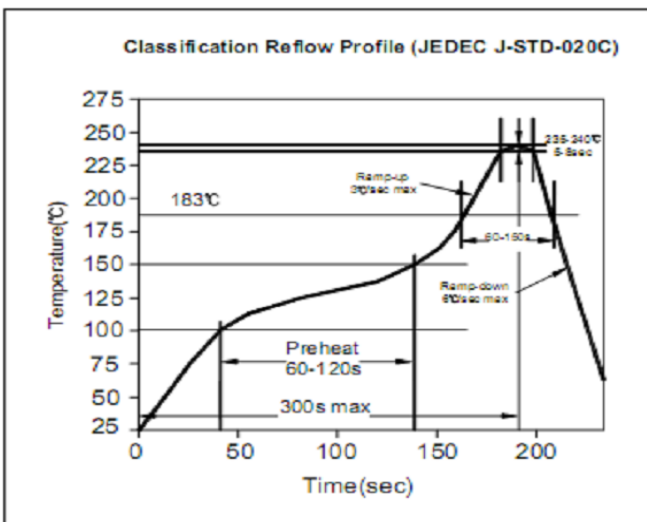
Serie-No. / Voltage / Range / Size	Capacity Tolerance	ROHS	Packing
------------------------------------	--------------------	------	---------

I14113-1002210611	M	R	BU
-------------------	---	---	----

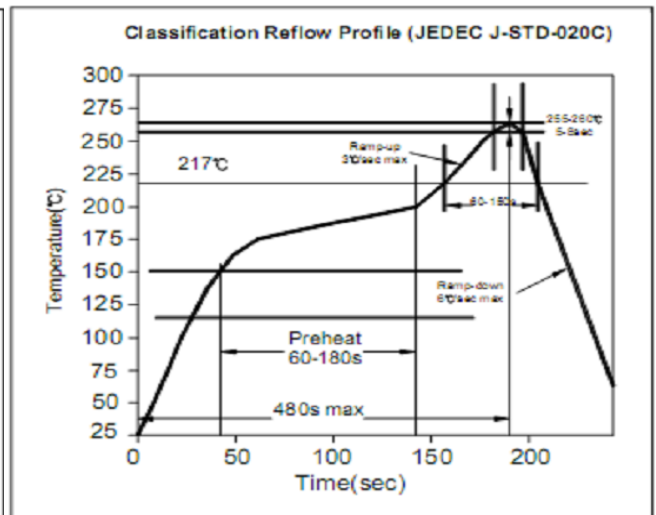
Serie	Voltage (V)	Range μ H)	D * L (mm)	Tolerance Order Code	R= ROHS N= NON ROHS	BU= Bulk-Ware Long Lead T/B= Tape/Box L3= Lead-Length 3~3,5mm
-------	-------------	----------------	------------	----------------------	------------------------	---

Soldering Information

Lead Solder Performance



Lead free Solder Performance



DRW:	Lexua	CHKD	Wilson	MATL:	ChuChu	DATE	28.01.2025
APPD:	Jimmy			FINISH	Josy	Sheet	2 from 2